

# 2016

## PARTS MANUAL



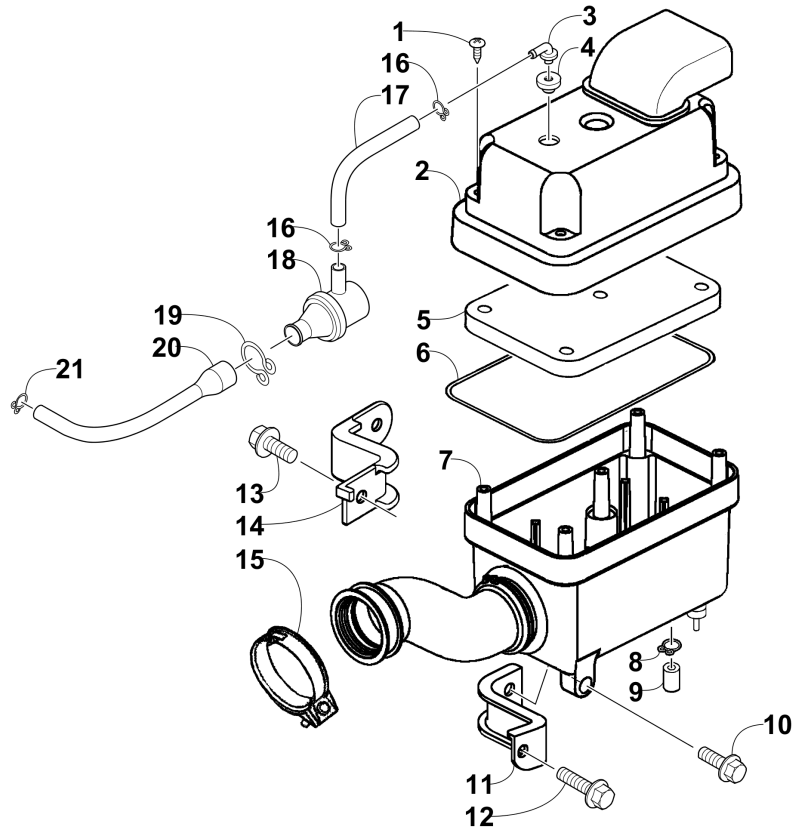
**DVX™ 90**  
**A2016KSB2BUST**



Contents

AIR INTAKE ASSEMBLY [301242] . . . . . 1  
BODY PANEL AND HEADLIGHT ASSEMBLY [301238] . . . . . 3  
CAM CHAIN ASSEMBLY [92730] . . . . . 5  
CARBURETOR ASSEMBLY [300479] . . . . . 6  
CLUTCH ASSEMBLY [300483] . . . . . 8  
CYLINDER HEAD ASSEMBLY [301219] . . . . . 10  
ELECTRICAL AND WIRING HARNESS ASSEMBLY [94240] . . . . . 12  
ENGINE SHROUD ASSEMBLY [90960] . . . . . 13  
EXHAUST ASSEMBLY [90950] . . . . . 14  
FRAME AND RELATED PARTS ASSEMBLY [94238] . . . . . 15  
FRONT SUSPENSION ASSEMBLY [301239] . . . . . 17  
FRONT WHEEL AND BRAKE ASSEMBLIES [300476] . . . . . 18  
GAS TANK ASSEMBLY [301217] . . . . . 20  
HANDLEBAR AND CONTROL ASSEMBLY [300503] . . . . . 21  
HYDRAULIC HAND BRAKE ASSEMBLY [300474] . . . . . 23  
KICK STARTER AND COOLING DUCT ASSEMBLY [100318] . . . . . 25  
LEFT CRANKCASE AND COVER ASSEMBLY [92732] . . . . . 26  
PISTON AND CRANKSHAFT ASSEMBLY [90952] . . . . . 28  
REAR AXLE AND BRAKE ASSEMBLY [300477] . . . . . 29  
REAR SUSPENSION ASSEMBLY [301240] . . . . . 31  
REAR WHEEL ASSEMBLY [301241] . . . . . 32  
RIGHT CRANKCASE AND COVER ASSEMBLY [301220] . . . . . 33  
SEAT, BATTERY, AND TOOL KIT ASSEMBLIES [94241] . . . . . 35  
SHIFT LEVER ASSEMBLY [92722] . . . . . 36  
STARTER MOTOR AND OIL PUMP ASSEMBLY [97646] . . . . . 38  
STEERING POST ASSEMBLY [92721] . . . . . 40  
THROTTLE CONTROL ASSEMBLY [94248] . . . . . 41  
TRANSMISSION ASSEMBLY [94232] . . . . . 42

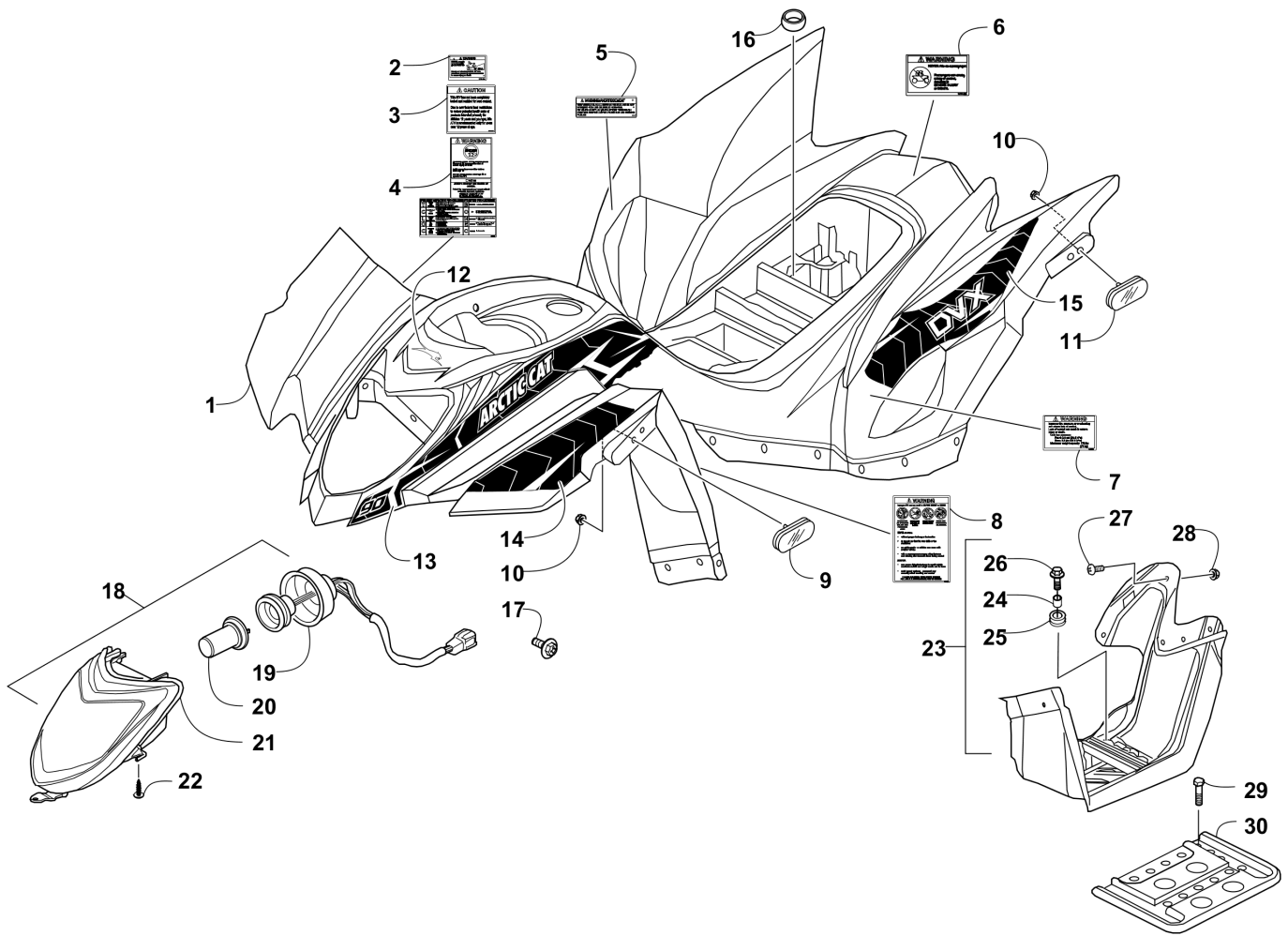
# AIR INTAKE ASSEMBLY [301242]



| Item | Part No. | Qty | Name                   | Context    | Footnote |
|------|----------|-----|------------------------|------------|----------|
| 1    | 3305-450 | 5   | Screw, Self-Tapping    |            |          |
| 2    | 3303-062 | 1   | Cover, Air Intake      | (inc. 3-4) |          |
| 3    | 3305-179 | 1   | Fitting, Elbow         |            |          |
| 4    | 3305-180 | 1   | Grommet                |            |          |
| 5    | 3303-060 | 1   | Filter                 |            |          |
| 6    | 3303-063 | 1   | Seal                   |            |          |
| 7    | 3305-842 | 1   | Housing, Air Intake    | (inc. 8-9) |          |
| 8    | 3305-315 | 1   | Clamp                  |            |          |
| 9    | 3304-168 | 1   | Tube, Drain            |            |          |
| 10   | 3304-551 | 1   | Bolt, Flange - 6 x 22  |            |          |
| 11   | 3303-005 | 1   | Bracket, Mounting      |            |          |
| 12   | 3305-789 | 1   | Screw, Cap             |            |          |
| 13   | 3305-458 | 2   | Screw, Cap             |            |          |
| 14   | 3305-841 | 1   | Bracket, Mounting      |            |          |
| 15   | 3303-288 | 1   | Clamp                  |            |          |
| 16   | 3303-350 | 2   | Clamp, Hose            |            |          |
| 17   | 3305-844 | 1   | Hose                   |            |          |
| 18   | 3303-064 | 1   | Catch, Tank - Assembly |            |          |
| 19   | 3303-052 | 1   | Clamp, Hose            |            |          |
| 20   | 3303-001 | 1   | Hose                   |            |          |

| Item | Part No. | Qty | Name        | Context | Footnote |
|------|----------|-----|-------------|---------|----------|
| 21   | 3303-352 | 1   | Clamp, Hose |         |          |

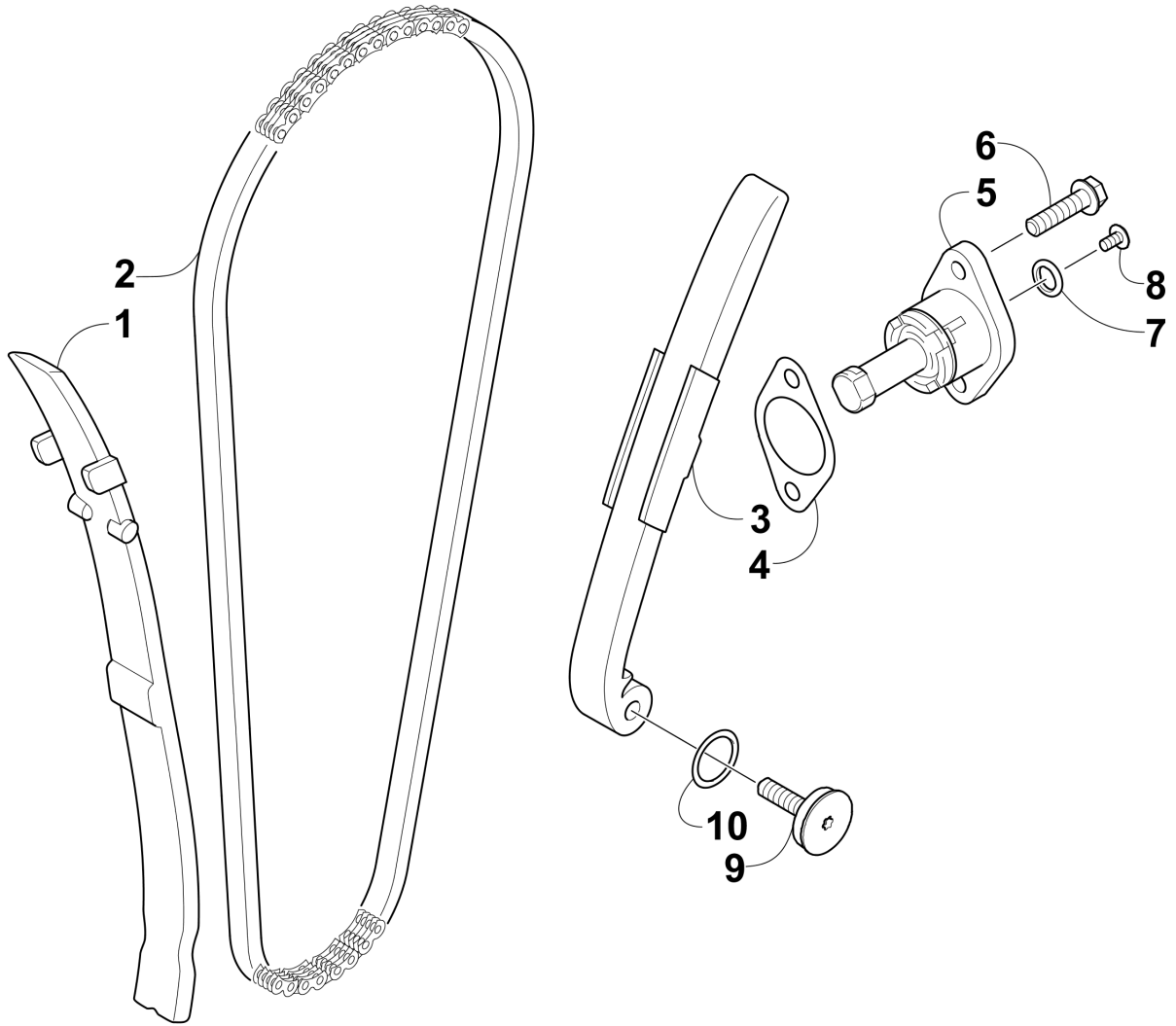
# BODY PANEL AND HEADLIGHT ASSEMBLY [301238]



| Item | Part No. | Qty | Name                                  | Context     | Footnote |
|------|----------|-----|---------------------------------------|-------------|----------|
| 1    | 3306-102 | 1   | Panel, Body - Main                    | (inc. 2-11) |          |
| 2    | 0411-836 | 1   | Decal, Warning - Hill                 |             |          |
| 3    | 2411-162 | 1   | Decal, Warning - Caution Lead Content |             |          |
| 4    | 2411-136 | 1   | Decal, Warning - Age                  |             |          |
| 5    | 1411-577 | 1   | Decal, Warning - Not for Highways     |             |          |
| 6    | 1411-809 | 1   | Decal, Warning - Passenger            |             |          |
| 7    | 1411-938 | 1   | Decal, Warning - Tire/Load            |             |          |
| 8    | 1411-932 | 1   | Decal, Warning - General              |             |          |
| 9    | 3313-359 | 2   | Reflector - Front                     |             |          |
| 10   | 3304-774 | 4   | Nut                                   |             |          |
| 11   | 3313-360 | 2   | Reflector - Rear                      |             |          |
| 12   | 4411-479 | 1   | Decal, AirCat                         |             |          |
| 13   | 5411-324 | 1   | Decal, Side - Forward Right           |             |          |
| 13   | 5411-325 | 1   | Decal, Side - Forward Left            |             |          |
| 14   | 5411-322 | 1   | Decal, Front Fender - Right           |             |          |

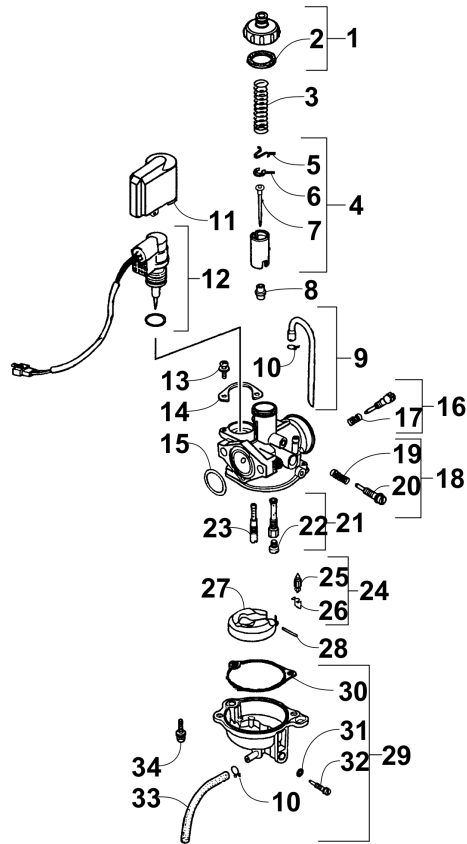
| Item | Part No. | Qty | Name                       | Context                            | Footnote |
|------|----------|-----|----------------------------|------------------------------------|----------|
| 14   | 5411-323 | 1   | Decal, Front Fender - Left |                                    |          |
| 15   | 5411-326 | 1   | Decal, Rear Fender - Right |                                    |          |
| 15   | 5411-327 | 1   | Decal, Rear Fender - Left  |                                    |          |
| 16   | 3303-232 | 2   | Grommet, Rubber            |                                    |          |
| 17   | 3304-587 | 7   | Screw, Cap                 |                                    |          |
| 18   | 3304-280 | 1   | Headlight - Assembly       | (inc. 19-21)                       |          |
| 19   | 3304-282 | 1   | Socket Assembly            |                                    |          |
| 20   | 3303-846 | 1   | Bulb, Headlight            |                                    |          |
| 21   | 3304-281 | 1   | Lens, Headlight            |                                    |          |
| 22   | 3304-650 | 5   | Screw, Self-Tapping        |                                    |          |
| 23   | 3306-144 | 1   | Mudguard, Right - Assembly | (inc. four No. 24 and four No. 25) |          |
| 23   | 3306-145 | 1   | Mudguard, Left - Assembly  | (inc. four No. 24 and four No. 25) |          |
| 24   | 3303-233 | 8   | Spacer                     |                                    |          |
| 25   | 3303-227 | 8   | Bushing                    |                                    |          |
| 26   | 3304-586 | 8   | Screw, Cap                 |                                    |          |
| 27   | 3305-703 | 18  | Screw, Machine             |                                    |          |
| 28   | 3304-431 | 18  | Nut, Lock                  |                                    |          |
| 29   | 3304-543 | 8   | Screw, Cap                 |                                    |          |
| 30   | 3304-494 | 1   | Support, Mudguard - Right  |                                    |          |
| 30   | 3304-495 | 1   | Support, Mudguard - Left   |                                    |          |

# CAM CHAIN ASSEMBLY [92730]



| Item | Part No. | Qty | Name               | Context | Footnote |
|------|----------|-----|--------------------|---------|----------|
| 1    | 3303-037 | 1   | Guide, Chain       |         |          |
| 2    | 3303-030 | 1   | Chain, Cam         |         |          |
| 3    | 3303-034 | 1   | Tensioner, Chain   |         |          |
| 4    | 3303-035 | 1   | Gasket             |         |          |
| 5    | 3307-102 | 1   | Tensioner Assembly |         |          |
| 6    | 3304-002 | 2   | Bolt               |         |          |
| 7    | 3304-100 | 1   | O-Ring             |         |          |
| 8    | 3303-244 | 1   | Screw, Adjuster    |         |          |
| 9    | 3303-036 | 1   | Adjuster, Tension  |         |          |
| 10   | 3303-301 | 1   | O-Ring             |         |          |

# CARBURETOR ASSEMBLY [300479]

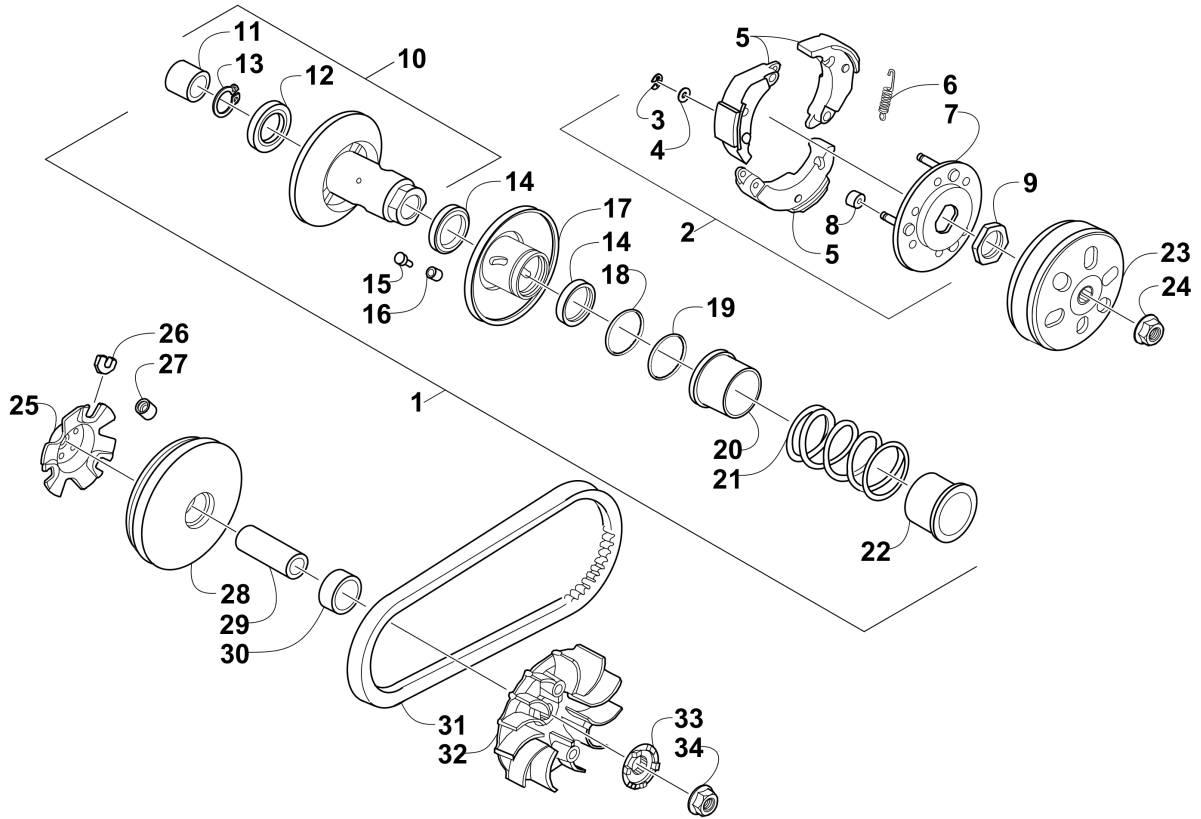


| Item | Part No. | Qty | Name                              | Context           | Footnote |
|------|----------|-----|-----------------------------------|-------------------|----------|
| -    | 3306-829 | 1   | Carburetor - Assembly             |                   |          |
| 1    | 3304-462 | 1   | Set, Top                          | (inc. 2)          |          |
| 2    | 3304-463 | 1   | Gasket                            |                   |          |
| 3    | 3304-464 | 1   | Spring, Compression               |                   |          |
| 4    | 3306-905 | 1   | Valve, Throttle - Assembly        | (inc. 5-7)        |          |
| 5    | 3304-465 | 1   | Clip, Spring                      |                   |          |
| 6    | 3304-466 | 1   | E-Ring                            |                   |          |
| 7    | 3305-592 | 1   | Needle, Jet                       |                   |          |
| 8    | 3304-468 | 1   | Jet, Needle                       |                   |          |
| 9    | 3304-472 | 1   | Pipe, Rubber - Assembly           | (inc. one No. 10) |          |
| 10   | 5507-161 | 2   | Clamp, Hose                       |                   |          |
| 11   | 3304-469 | 1   | Cover                             |                   |          |
| 12   | 3304-470 | 1   | Automatic Bypass/Starter Assembly |                   |          |
| 13   | 5507-117 | 2   | Screw                             |                   |          |
| 14   | 3304-471 | 1   | Plate, Retaining                  |                   |          |
| 15   | 3304-488 | 1   | O-Ring                            |                   |          |
| 16   | 3305-446 | 1   | Screw, Stop - Assembly            | (inc. 17)         |          |
| 17   | 3305-444 | 1   | Spring                            |                   |          |
| 18   | 3304-477 | 1   | Screw, Stop - Assembly            | (inc. 19-20)      |          |
| 19   | 3304-232 | 1   | Spring                            |                   |          |



| Item | Part No. | Qty | Name                            | Context                     | Footnote |
|------|----------|-----|---------------------------------|-----------------------------|----------|
| 20   | 3304-478 | 1   | Screw, Stop                     |                             |          |
| 21   | 3305-573 | 1   | Holder, Jet - Needle - Assembly | (inc. 22)                   |          |
| 22   | 3304-482 | 1   | Jet, Main - 80                  |                             |          |
| 22   | 5507-170 | 1   | Jet, Main - 75                  | Optional                    |          |
| 22   | 5507-220 | 1   | Jet, Main - 78                  | Optional                    |          |
| 23   | 3304-489 | 1   | Jet, Slow                       |                             |          |
| 24   | 3304-490 | 1   | Valve, Float - Assembly         | (inc. 25 and one No. 26)    |          |
| 25   | 3306-752 | 1   | Valve, Float - Set              |                             |          |
| 26   | 3304-484 | 2   | Clip                            |                             |          |
| 27   | 3304-491 | 1   | Float Assembly                  |                             |          |
| 28   | 3304-485 | 1   | Pin, Float                      |                             |          |
| 29   | 3304-486 | 1   | Chamber, Float - w/Gasket       | (inc. one No. 10 and 30-33) |          |
| 30   | 3305-569 | 1   | Gasket                          |                             |          |
| 31   | 3304-239 | 1   | O-Ring                          |                             |          |
| 32   | 3304-243 | 1   | Screw, Drain                    |                             |          |
| 33   | 3305-248 | 1   | Tube, Drain                     |                             |          |
| 34   | 3303-320 | 2   | Screw, Machine                  |                             |          |

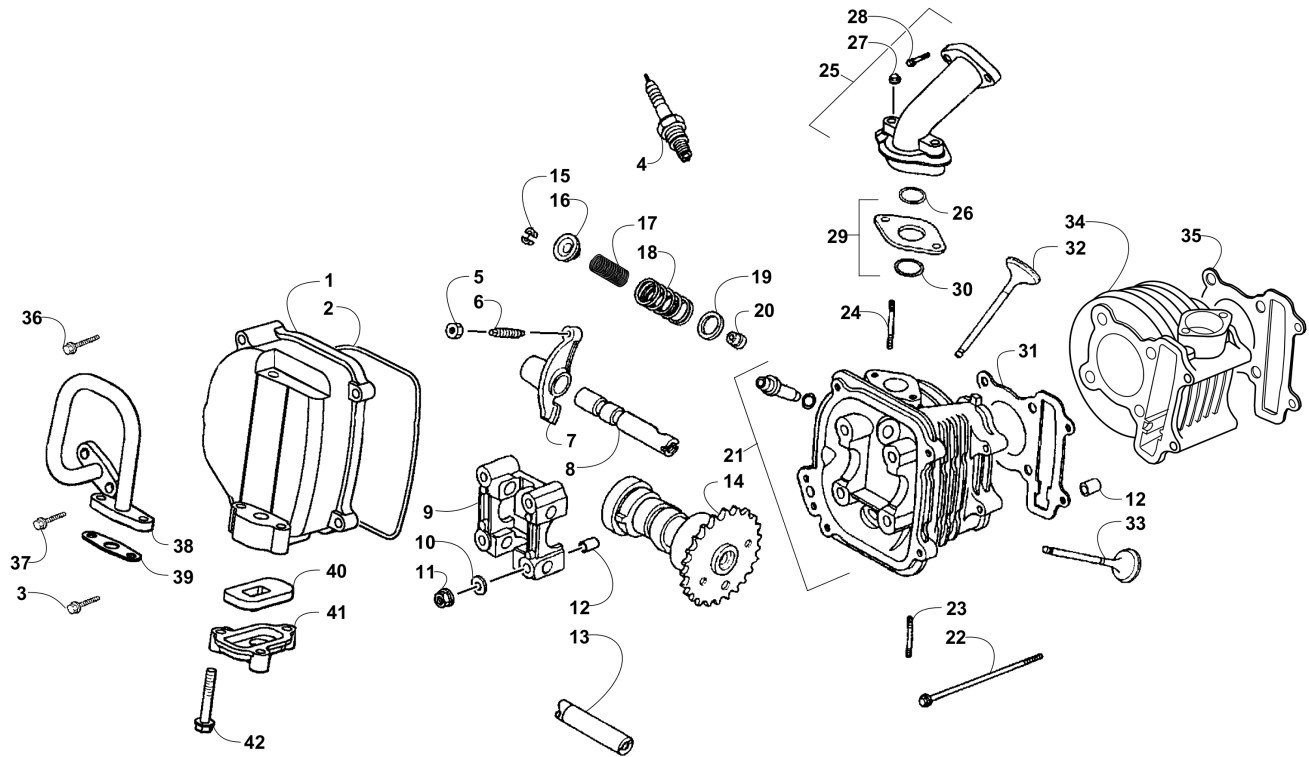
# CLUTCH ASSEMBLY [300483]



| Item | Part No. | Qty | Name                           | Context      | Footnote |
|------|----------|-----|--------------------------------|--------------|----------|
| 1    | 3303-411 | 1   | Pulley, Driven - Assembly      | (inc. 2-22)  |          |
| 2    | 3303-090 | 1   | Clutch, Centrifugal - Assembly | (inc. 3-8)   |          |
| 3    | 3304-618 | 3   | Circlip - 6 mm                 |              |          |
| 4    | 3303-274 | 3   | Washer, Thrust                 |              |          |
| 5    | 3306-733 | 3   | Weight, Clutch                 |              |          |
| 6    | 3303-092 | 3   | Spring                         |              |          |
| 7    | 3303-091 | 1   | Plate, Clutch                  |              |          |
| 8    | 3303-094 | 3   | Roller                         |              |          |
| 9    | 3304-025 | 1   | Nut, Special - 28 mm           |              |          |
| 10   | 3303-096 | 1   | Face, Driven - Fixed           | (inc. 11-13) |          |
| 11   | 3303-294 | 1   | Bearing                        |              |          |
| 12   | 3303-291 | 1   | Bearing                        |              |          |
| 13   | 3303-346 | 1   | Circlip                        |              |          |
| 14   | 3303-299 | 2   | Seal, Oil                      |              |          |
| 15   | 3303-098 | 3   | Guide, Pin                     |              |          |
| 16   | 3303-099 | 3   | Guide, Roller                  |              |          |
| 17   | 3303-097 | 1   | Face, Driven - Movable         |              |          |
| 18   | 3303-603 | 1   | O-Ring                         |              |          |
| 19   | 3304-619 | 1   | O-Ring                         |              |          |
| 20   | 3303-102 | 1   | Collar                         |              |          |

| Item | Part No. | Qty | Name                  | Context | Footnote |
|------|----------|-----|-----------------------|---------|----------|
| 21   | 3303-100 | 1   | Spring                |         |          |
| 22   | 3303-101 | 1   | Collar                |         |          |
| 23   | 3303-082 | 1   | Clutch, Outer         |         |          |
| 24   | 3307-058 | 1   | Nut                   |         |          |
| 25   | 3303-088 | 1   | Plate, Ramp           |         |          |
| 26   | 3303-089 | 3   | Slide                 |         |          |
| 27   | 3303-087 | 6   | Roller                |         |          |
| 28   | 3303-086 | 1   | Face, Drive - Movable |         |          |
| 29   | 3303-409 | 1   | Sleeve                |         |          |
| 30   | 3303-410 | 1   | Collar                |         |          |
| 31   | 3303-095 | 1   | Belt, Drive           |         |          |
| 32   | 3303-083 | 1   | Face, Drive - Fixed   |         |          |
| 33   | 3303-116 | 1   | Ratchet, Kick Starter |         |          |
| 34   | 3303-334 | 1   | Nut                   |         |          |

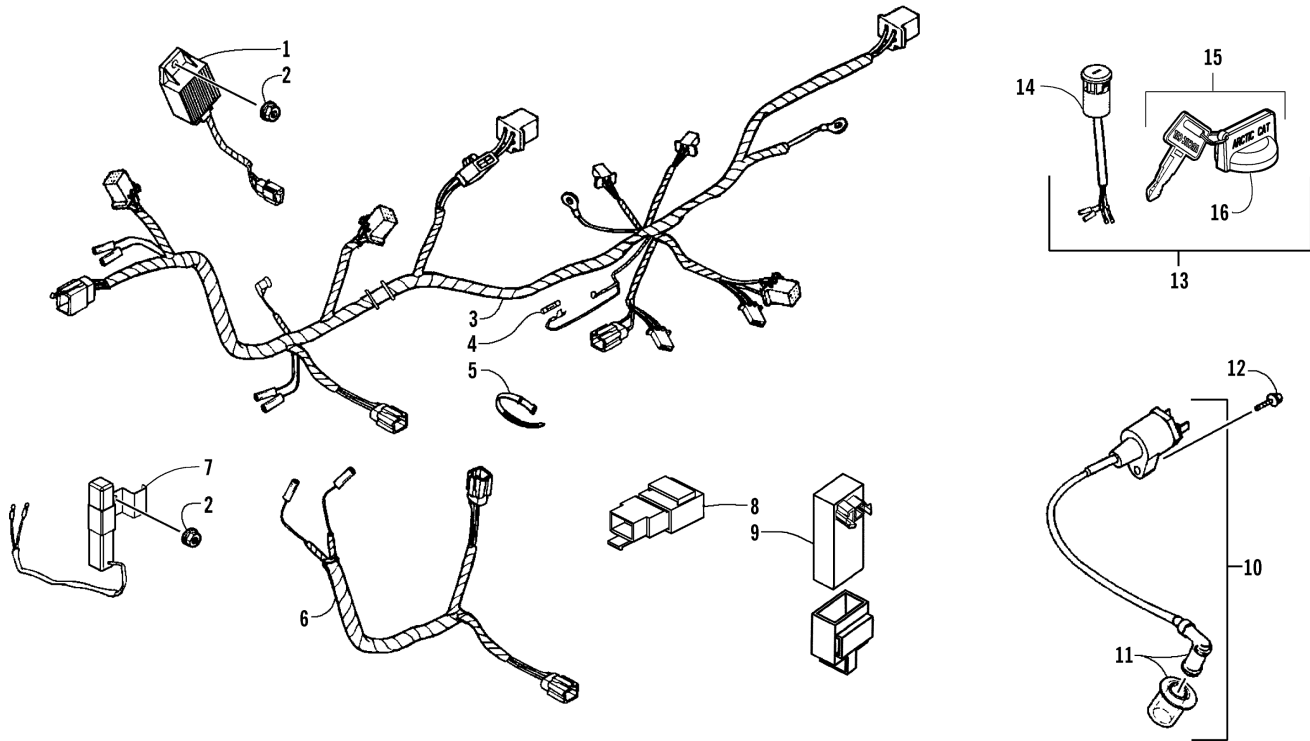
# CYLINDER HEAD ASSEMBLY [301219]



| Item | Part No. | Qty | Name                        | Context | Footnote |
|------|----------|-----|-----------------------------|---------|----------|
| 1    | 3305-594 | 1   | Cover, Cylinder Head        |         |          |
| 2    | 3304-616 | 1   | Gasket                      |         |          |
| 3    | 3304-569 | 2   | Screw, Cap                  |         |          |
| 4    | 0217-726 | 1   | Plug, Spark                 | CR7HSA  |          |
| 5    | 3304-026 | 2   | Nut, Tappet Adjusting       |         |          |
| 6    | 3304-007 | 2   | Screw, Tappet Adjusting     |         |          |
| 7    | 3303-031 | 2   | Valve, Rocker Arm           |         |          |
| 8    | 3303-032 | 1   | Shaft, Rocker Arm - Intake  |         |          |
| 9    | 3303-018 | 1   | Retainer, Camshaft          |         |          |
| 10   | 3304-048 | 4   | Washer - 8 mm               |         |          |
| 11   | 3304-668 | 4   | Nut, Lock                   |         |          |
| 12   | 3303-342 | 6   | Pin, Dowel                  |         |          |
| 13   | 3303-033 | 1   | Shaft, Rocker Arm - Exhaust |         |          |
| 14   | 3304-617 | 1   | Camshaft                    |         |          |
| 15   | 3303-044 | 4   | Cotter, Valve               |         |          |
| 16   | 3303-042 | 2   | Retainer, Valve Spring      |         |          |
| 17   | 3303-041 | 2   | Spring, Valve - Inner       |         |          |
| 18   | 3303-040 | 2   | Spring, Valve - Outer       |         |          |
| 19   | 3303-043 | 2   | Seat, Valve Spring          |         |          |
| 20   | 3303-657 | 2   | Seal, Valve Stem            |         |          |

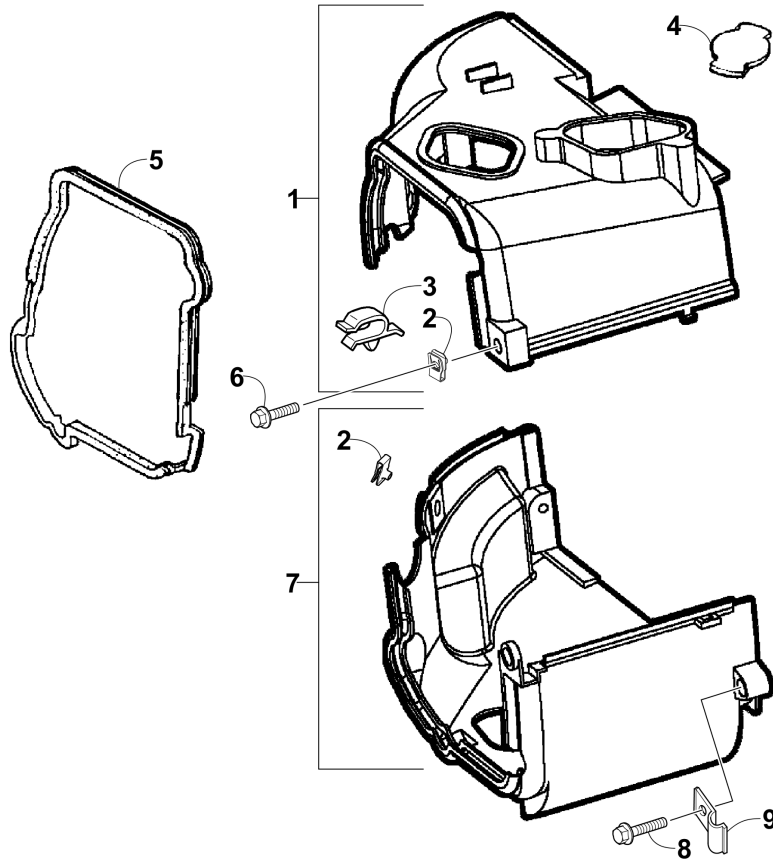
| Item | Part No. | Qty | Name                             | Context   | Footnote |
|------|----------|-----|----------------------------------|-----------|----------|
| 21   | 3307-197 | 1   | Head, Cylinder                   |           |          |
| 22   | 3307-199 | 2   | Screw, Cap                       |           |          |
| 23   | 3303-249 | 2   | Bolt, Stud                       |           |          |
| 24   | 3303-310 | 2   | Bolt, Stud                       |           |          |
| 25   | 3305-595 | 1   | Pipe, Inlet - Assembly           | (inc. 26) |          |
| 26   | 3303-304 | 1   | O-Ring                           |           |          |
| 27   | 3304-654 | 2   | Nut, Flange - 6 mm               |           |          |
| 28   | 3307-050 | 2   | Screw, Cap                       |           |          |
| 29   | 3303-511 | 1   | Insulator, Carburetor - Assembly | (inc. 30) |          |
| 30   | 3304-596 | 1   | O-Ring                           |           |          |
| 31   | 3303-019 | 1   | Gasket, Cylinder Head            |           |          |
| 32   | 3303-038 | 1   | Valve, Intake                    |           |          |
| 33   | 3303-039 | 1   | Valve, Exhaust                   |           |          |
| 34   | 3303-014 | 1   | Cylinder                         |           |          |
| 35   | 3303-015 | 1   | Gasket, Cylinder                 |           |          |
| 36   | 3305-402 | 1   | Screw, Cap                       |           |          |
| 37   | 3304-793 | 1   | Bolt, Flange                     |           |          |
| 38   | 3305-589 | 1   | Pipe, Air Intake                 |           |          |
| 39   | 3305-356 | 1   | Gasket                           |           |          |
| 40   | 3305-353 | 1   | Valve, Reed                      |           |          |
| 41   | 3305-354 | 1   | Cover, Reed Valve                |           |          |
| 42   | 3307-198 | 3   | Bolt, Flange 6*50                |           |          |

# ELECTRICAL AND WIRING HARNESS ASSEMBLY [94240]



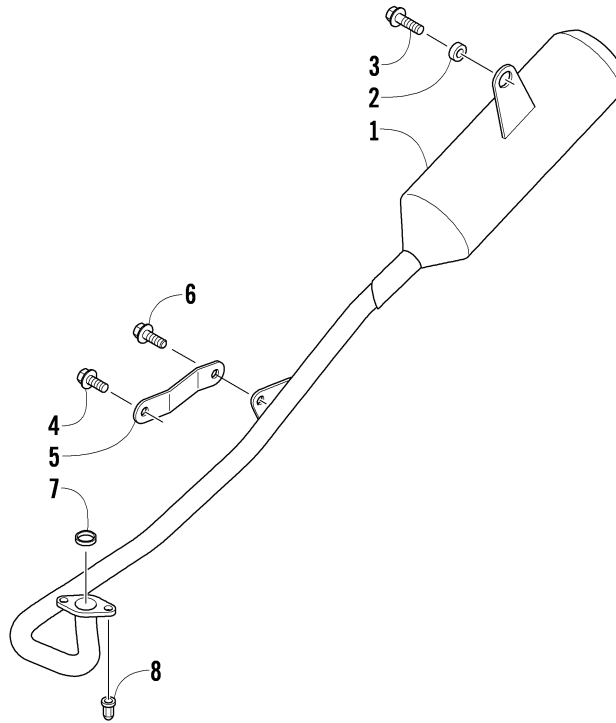
| Item | Part No. | Qty | Name                                | Context      | Footnote           |
|------|----------|-----|-------------------------------------|--------------|--------------------|
| 1    | 3303-132 | 1   | Regulator, Voltage                  |              |                    |
| 2    | 3304-654 | 2   | Nut, Flange - 6 mm                  |              |                    |
| 3    | 3306-119 | 1   | Harness, Main                       | (inc. 4)     |                    |
| 4    | 3303-399 | 2   | Fuse                                |              |                    |
| 5    | 3303-289 | AR  | Cable Tie                           |              |                    |
| 6    | 3306-002 | 1   | Harness, Extension                  |              |                    |
| 7    | 3303-142 | 1   | Resistor                            |              |                    |
| 8    | 3303-143 | 1   | Relay, Starter                      |              |                    |
| 9    | 3305-861 | 1   | CDI Unit                            |              |                    |
| 10   | 3303-125 | 1   | Coil Assembly - Ignition            | (inc. 11)    |                    |
| 11   | 3303-126 | 1   | Cap, Noise Suppression              |              |                    |
| 12   | 3303-252 | 1   | Screw, Machine                      |              |                    |
| 13   | 3306-147 | 1   | Key Set                             | (inc. 14-16) |                    |
| 14   |          | 1   | Switch, Ignition                    |              | Not a Service Part |
| 15   | 3307-104 | 1   | Key, Ignition - Right-Side Cut      |              |                    |
| 15   | 3304-521 | 1   | Key, Ignition - Set - Left-Side Cut |              |                    |
| 16   | 3304-522 | 1   | Cover, Key                          |              |                    |

# ENGINE SHROUD ASSEMBLY [90960]



| Item | Part No. | Qty | Name                     | Context                  | Footnote |
|------|----------|-----|--------------------------|--------------------------|----------|
| 1    | 3305-803 | 1   | Shroud, Upper - Assembly | (inc. one No. 2 and 3-4) |          |
| 2    | 3303-267 | 2   | Clip, U-Nut              |                          |          |
| 3    | 3305-804 | 1   | Clip, Routing            |                          |          |
| 4    | 3303-408 | 1   | Grommet                  |                          |          |
| 5    | 3303-077 | 1   | Seal, Shroud             |                          |          |
| 6    | 3303-382 | 2   | Bolt, Flange             |                          |          |
| 7    | 3303-078 | 1   | Shroud, Lower - Assembly | (inc. one No. 2)         |          |
| 8    | 3303-384 | 1   | Bolt, Flange             |                          |          |
| 9    | 3304-640 | 1   | Clamp, Routing           |                          |          |

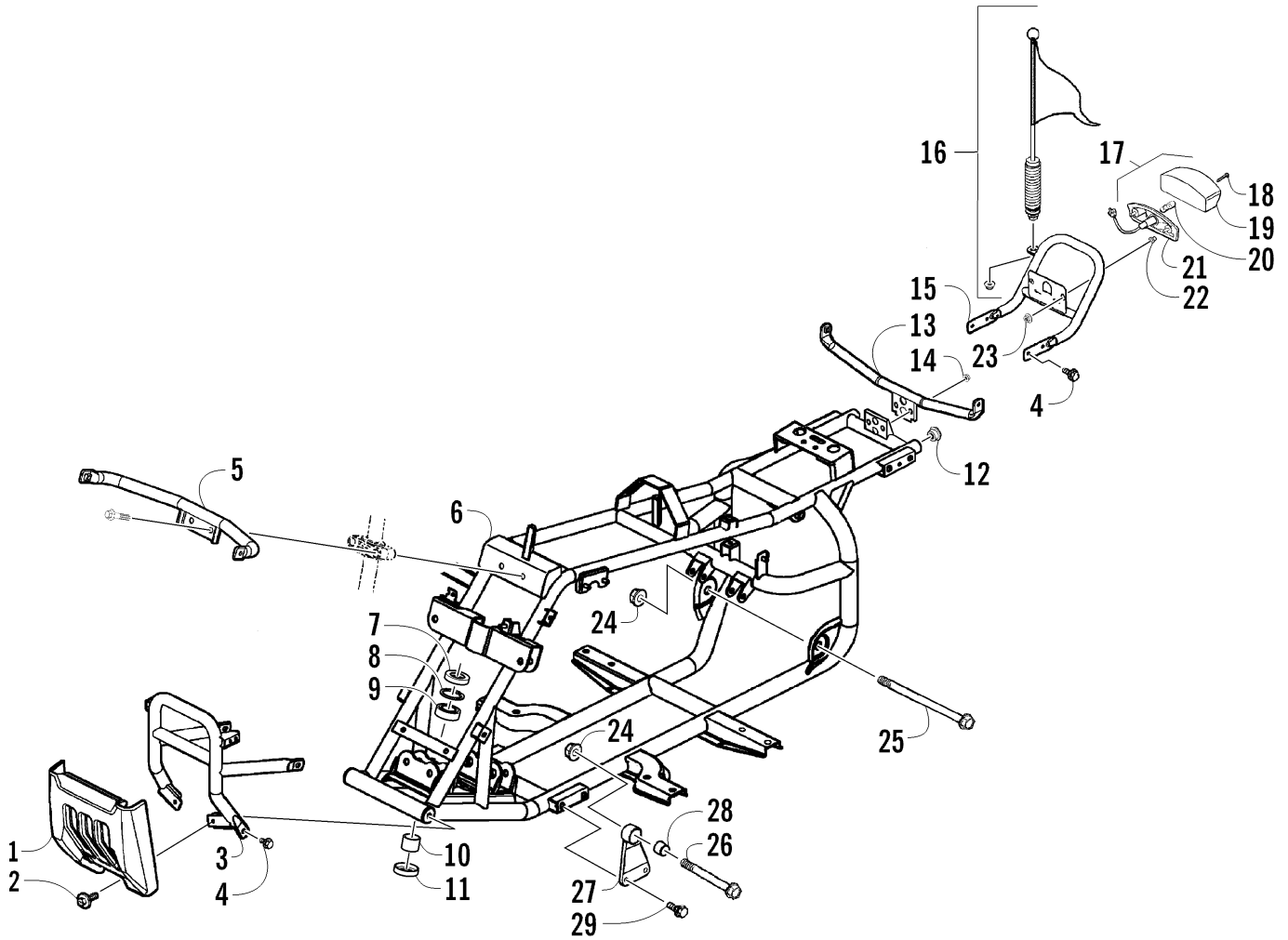
# EXHAUST ASSEMBLY [90950]



| Item | Part No. | Qty | Name                        | Context  | Footnote |
|------|----------|-----|-----------------------------|----------|----------|
| 1    | 3303-407 | 1   | Muffler/Complete Exhaust    | (inc. 2) |          |
| 2    | 3304-571 | 1   | Bushing                     |          |          |
| 3    | 3305-845 | 1   | Screw, Cap                  |          |          |
| 4    | 3303-314 | 1   | Screw, Cap                  |          |          |
| 5    | 3304-573 | 1   | Bracket, Mounting - Muffler |          |          |
| 6    | 3304-543 | 1   | Screw, Cap                  |          |          |
| 7    | 3303-071 | 1   | Gasket                      |          |          |
| 8    | 3303-261 | 2   | Nut, Cap                    |          |          |



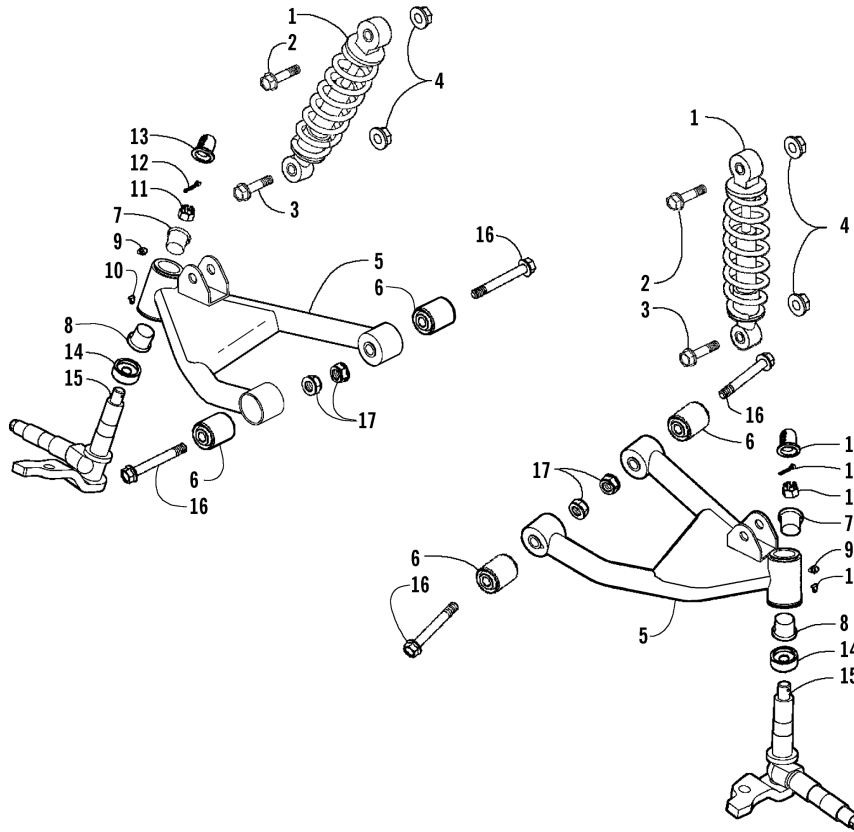
# FRAME AND RELATED PARTS ASSEMBLY [94238]



| Item | Part No. | Qty | Name                            | Context | Footnote           |
|------|----------|-----|---------------------------------|---------|--------------------|
| 1    | 3306-140 | 1   | Cover, Front Bumper - Med. Gray |         |                    |
| 2    | 3304-587 | 2   | Screw, Cap                      |         |                    |
| 3    | 3306-118 | 1   | Bumper, Front                   |         |                    |
| 4    | 3304-544 | 7   | Screw, Cap                      |         |                    |
| 5    | 3305-511 | 1   | Bracket, Support - Front        |         |                    |
| 6    | 3305-864 | 1   | Frame                           |         |                    |
| 7    | 3303-295 | 1   | Seal, Oil                       |         |                    |
| 8    | 3303-347 | 1   | Ring, Retaining                 |         |                    |
| 9    | 3303-392 | 1   | Bearing                         |         |                    |
| 10   | 3303-445 | 1   | Spacer                          |         |                    |
| 11   | 3303-298 | 1   | Seal, Oil                       |         |                    |
| 12   |          | 2   | Plug                            |         | Not a Service Part |
| 13   | 3305-514 | 1   | Bracket, Support - Rear         |         |                    |
| 14   | 3304-668 | 2   | Nut, Lock                       |         |                    |
| 15   | 3305-512 | 1   | Grip, Rear                      |         |                    |

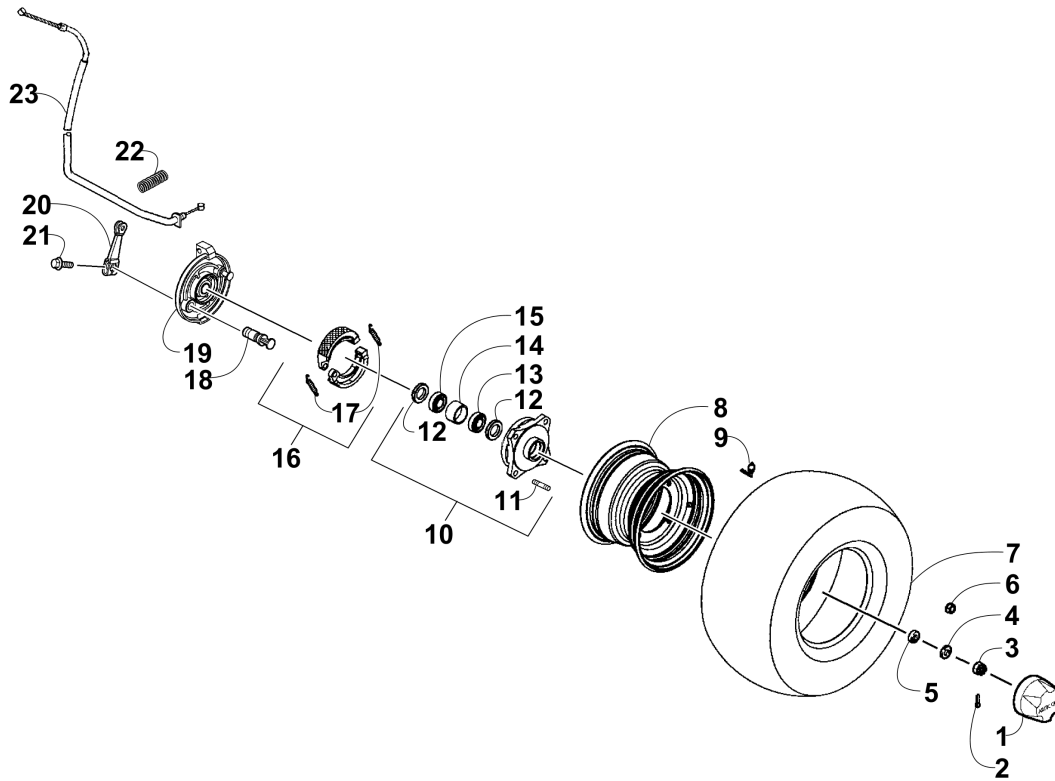
| Item | Part No. | Qty | Name                           | Context      | Footnote |
|------|----------|-----|--------------------------------|--------------|----------|
| 16   | 3305-308 | 1   | Flag Assembly                  |              |          |
| 17   | 3303-420 | 1   | Taillight - Assembly           | (inc. 18-21) |          |
| 18   | 3304-537 | 2   | Screw, Self-Tapping            |              |          |
| 19   | 3304-283 | 1   | Lens, Taillight                |              |          |
| 20   | 3303-849 | 1   | Bulb, Taillight                |              |          |
| 21   | 3303-422 | 1   | Housing, Taillight             |              |          |
| 22   | 3303-226 | 2   | Insert                         |              |          |
| 23   | 3304-654 | 2   | Nut, Flange - 6 mm             |              |          |
| 24   | 3304-031 | 3   | U-Nut                          |              |          |
| 25   | 3323-188 | 1   | Screw, Cap                     |              |          |
| 26   | 3304-548 | 2   | Bolt, Flange                   |              |          |
| 27   | 3303-183 | 1   | Bracket, Engine Hanger - Right | (inc. 28)    |          |
| 27   | 3303-184 | 1   | Bracket, Engine Hanger - Left  | (inc. 28)    |          |
| 28   | 3304-542 | 2   | Bushing, Rubber                |              |          |
| 29   | 3304-543 | 4   | Screw, Cap                     |              |          |

# FRONT SUSPENSION ASSEMBLY [301239]



| Item | Part No. | Qty | Name                           | Context     | Footnote |
|------|----------|-----|--------------------------------|-------------|----------|
| 1    | 3306-393 | 2   | Shock/Spring Assembly - Orange |             |          |
| 2    | 3307-068 | 2   | Screw, Cap                     |             |          |
| 3    | 3303-309 | 2   | Screw, Cap                     |             |          |
| 4    | 3303-333 | 4   | Nut, Flange - 10 mm            |             |          |
| 5    | 3305-994 | 1   | Arm, Swing - Right             | (inc. 6-10) |          |
| 5    | 3305-995 | 1   | Arm, Swing - Left              | (inc. 6-10) |          |
| 6    | 3303-216 | 4   | Bushing                        |             |          |
| 7    | 3303-218 | 2   | Bushing                        |             |          |
| 8    | 3303-217 | 2   | Bushing                        |             |          |
| 9    | 3303-393 | 2   | Fitting, Grease                |             |          |
| 10   | 3303-394 | 2   | Cap, Grease Fitting            |             |          |
| 11   | 3303-329 | 2   | Nut, Castle                    |             |          |
| 12   | 3303-337 | 2   | Pin, Cotter                    |             |          |
| 13   | 3303-219 | 2   | Cap                            |             |          |
| 14   | 3303-220 | 2   | Seal                           |             |          |
| 15   | 3303-178 | 1   | Shaft, Steering - Right        |             |          |
| 15   | 3303-180 | 1   | Shaft, Steering - Left         |             |          |
| 16   | 3304-595 | 4   | Bolt, Flange                   |             |          |
| 17   | 3304-031 | 4   | U-Nut                          |             |          |

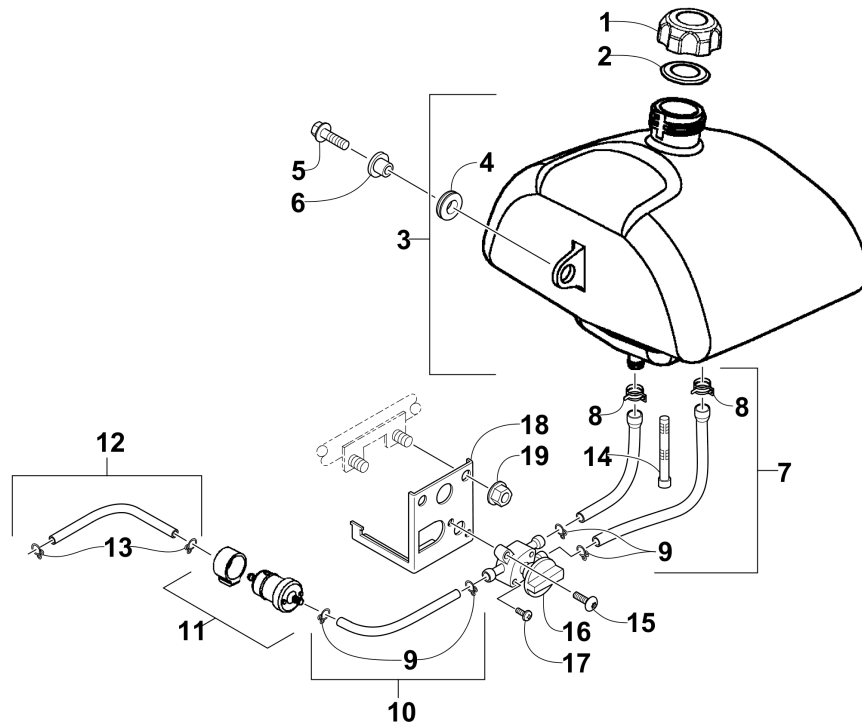
# FRONT WHEEL AND BRAKE ASSEMBLIES [300476]



| Item | Part No. | Qty | Name                     | Context      | Footnote |
|------|----------|-----|--------------------------|--------------|----------|
| 1    | 3303-430 | 2   | Cap, Wheel               |              |          |
| 2    | 3303-470 | 2   | Pin, Cotter              |              |          |
| 3    | 3303-328 | 2   | Nut, Castle              |              |          |
| 4    | 3303-279 | 2   | Washer - 12 mm           |              |          |
| 5    | 3303-164 | 2   | Side Collar, Front Wheel |              |          |
| 6    | 3303-266 | 8   | Nut                      |              |          |
| 7    | 3303-429 | 2   | Tire - Assembly          |              |          |
| 8    | 3306-893 | 2   | Wheel Assembly - Black   |              |          |
| 9    | 3304-562 | 2   | Stem, Valve              |              |          |
| 10   | 3303-165 | 2   | Hub Assembly             | (inc. 11-15) |          |
| 11   | 3303-463 | 8   | Bolt, Stud               |              |          |
| 12   | 3303-456 | 4   | Seal                     |              |          |
| 13   | 3303-468 | 2   | Bearing                  |              |          |
| 14   | 3303-445 | 2   | Spacer                   |              |          |
| 15   | 3303-467 | 2   | Bearing                  |              |          |
| 16   | 3303-169 | 2   | Shoe, Brake - Assembly   | (inc. 17)    |          |
| 17   | 3304-563 | 2   | Spring                   |              |          |
| 18   | 3303-170 | 2   | Cam, Brake               |              |          |
| 19   | 3307-100 | 1   | Panel - Front - Right    |              |          |
| 19   | 3307-101 | 1   | Panel - Front - Left     |              |          |

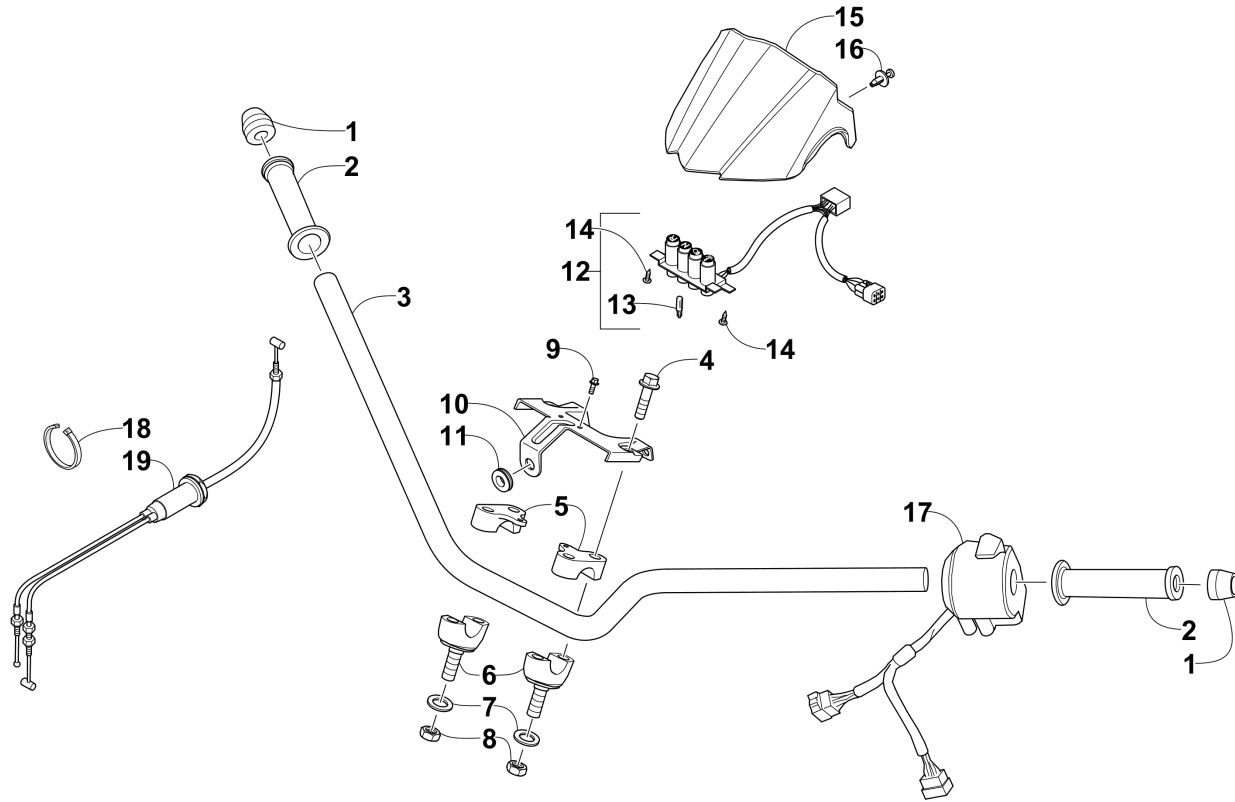
| Item | Part No. | Qty | Name               | Context | Footnote |
|------|----------|-----|--------------------|---------|----------|
| 20   | 3303-171 | 1   | Arm, Brake - Right |         |          |
| 20   | 3303-177 | 1   | Arm, Brake - Left  |         |          |
| 21   | 3303-355 | 2   | Screw, Cap         |         |          |
| 22   | 3303-172 | 2   | Spring, Return     |         |          |
| 23   | 3303-173 | 2   | Cable, Brake       |         |          |

# GAS TANK ASSEMBLY [301217]



| Item | Part No. | Qty | Name                              | Context                | Footnote |
|------|----------|-----|-----------------------------------|------------------------|----------|
| 1    | 3306-003 | 1   | Cap, Gas Tank                     |                        |          |
| 2    | 3303-068 | 1   | Seal, Gas Tank Cap                |                        |          |
| 3    | 3305-488 | 1   | Tank, Gas - Assembly              | (inc. 4)               |          |
| 4    | 3303-406 | 2   | Grommet                           |                        |          |
| 5    | 3304-189 | 2   | Bolt, Flange                      |                        |          |
| 6    | 3303-226 | 2   | Insert                            |                        |          |
| 7    | 3305-489 | 2   | Hose Assembly                     | (inc. 8 and two No. 9) |          |
| 8    | 3303-351 | 2   | Clamp, Hose                       |                        |          |
| 9    | 3303-349 | 4   | Clamp, Hose                       |                        |          |
| 10   | 3305-521 | 1   | Hose Assembly                     | (inc. two No. 9)       |          |
| 11   | 3303-699 | 1   | Strainer, Fuel - Assembly         |                        |          |
| 12   | 3305-522 | 1   | Hose Assembly                     | (inc. 13)              |          |
| 13   | 3303-348 | 2   | Clamp, Hose                       |                        |          |
| 14   | 3303-058 | 1   | Strainer, Fuel                    |                        |          |
| 15   | 3303-316 | 2   | Screw, Machine                    |                        |          |
| 16   | 3307-093 | 1   | Shut-Off, Fuel                    |                        |          |
| 17   | 3304-120 | 2   | Screw, Machine                    |                        |          |
| 18   | 3305-294 | 1   | Bracket, Mounting - Fuel Shut-Off |                        |          |
| 19   | 3304-654 | 2   | Nut, Flange - 6 mm                |                        |          |

# HANDLEBAR AND CONTROL ASSEMBLY [300503]

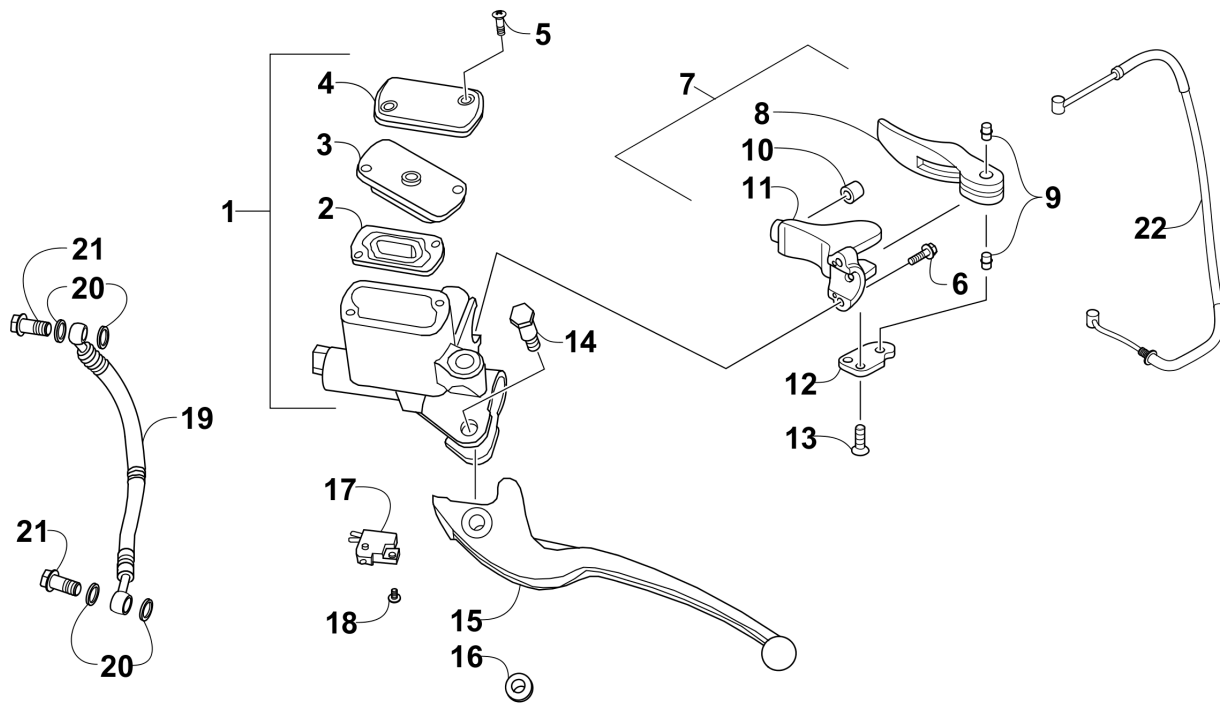


| Item | Part No. | Qty | Name                           | Context   | Footnote |
|------|----------|-----|--------------------------------|-----------|----------|
| 1    | 3303-196 | 2   | End Cap, Handlebar             |           |          |
| 2    | 3305-905 | 2   | Grip, Handle                   |           |          |
| 3    | 3307-103 | 1   | Handlebar                      |           |          |
| 4    | 3303-398 | 4   | Screw, Cap                     |           |          |
| 5    | 3303-197 | 1   | Clamp, Handlebar - Upper Right |           |          |
| 5    | 3303-198 | 1   | Clamp, Handlebar - Upper Left  |           |          |
| 6    | 3303-199 | 2   | Clamp, Handlebar - Lower       |           |          |
| 7    | 3304-136 | 2   | Washer                         |           |          |
| 8    | 3306-219 | 2   | Nut                            |           |          |
| 9    | 3304-553 | 2   | Bolt, Flange - 6 x 12          |           |          |
| 10   | 3305-575 | 1   | Bracket, Handlebar Cover       | (inc. 11) |          |
| 11   | 3303-239 | 1   | Grommet                        |           |          |
| 12   | 3305-833 | 1   | Pilot Lamp - Assembly          | (inc. 13) |          |
| 13   | 3304-284 | 2   | Bulb                           |           |          |
| 14   | 3304-650 | 2   | Screw, Self-Tapping            |           |          |
| 15   | 3303-436 | 1   | Cover, Handlebar - Black       |           |          |
| 16   | 3303-592 | 2   | Clip, Retaining                |           |          |
| 17   | 3305-516 | 1   | Switch, Handlebar - Assembly   |           |          |
| 18   | 3303-289 | AR  | Cable Tie                      |           |          |

| Item | Part No. | Qty | Name                           | Context | Footnote |
|------|----------|-----|--------------------------------|---------|----------|
| 19   | 1502-096 | 1   | Cable/Cap, Throttle - Assembly |         |          |



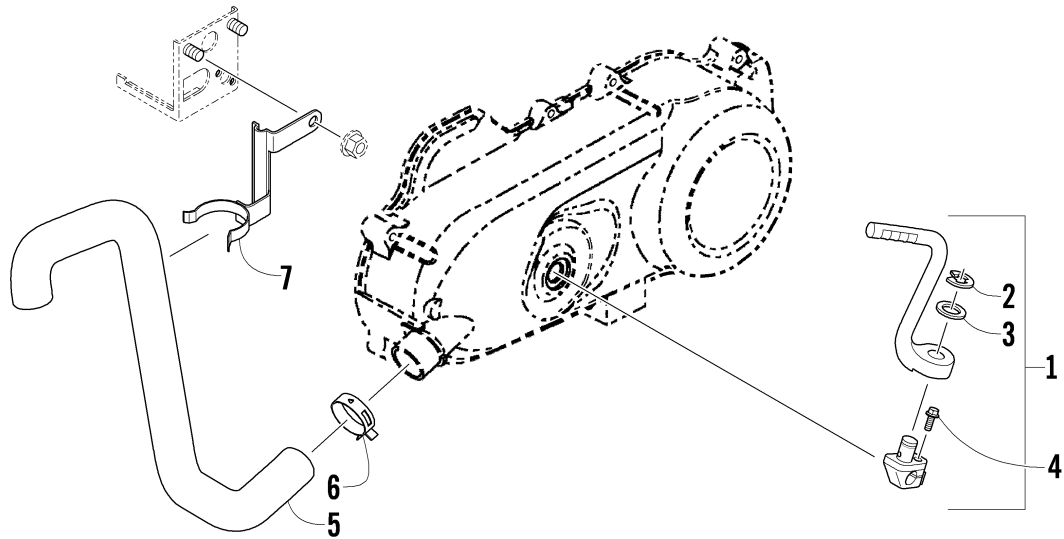
# HYDRAULIC HAND BRAKE ASSEMBLY [300474]



| Item | Part No. | Qty | Name                      | Context     | Footnote |
|------|----------|-----|---------------------------|-------------|----------|
| 1    | 3305-982 | 1   | Cylinder, RR Master - Set | (inc. 2-4)  |          |
| 2    | 3305-309 | 1   | Diaphragm                 |             |          |
| 3    | 3306-225 | 1   | Plate, Diaphragm          |             |          |
| 4    | 3303-174 | 1   | Cap, Master Cylinder      |             |          |
| 5    | 3303-318 | 2   | Screw, Machine            |             |          |
| 6    | 3305-297 | 2   | Screw, Cap                |             |          |
| 7    | 3307-088 | 1   | Brake, Parking - Assembly | (inc. 8-13) |          |
| 8    | 3305-665 | 1   | Lever, Park Brake         |             |          |
| 9    | 3305-666 | 2   | Pin, Pivot                |             |          |
| 10   | 3305-669 | 1   | Bumper                    |             |          |
| 11   | 3305-664 | 1   | Clamp, Handlebar          |             |          |
| 12   | 3305-667 | 1   | Bracket, Retaining        |             |          |
| 13   | 3305-668 | 2   | Screw, Machine            |             |          |
| 14   | 3303-254 | 1   | Bolt, Handle Lever        |             |          |
| 15   | 3306-819 | 1   | Lever, Brake              |             |          |

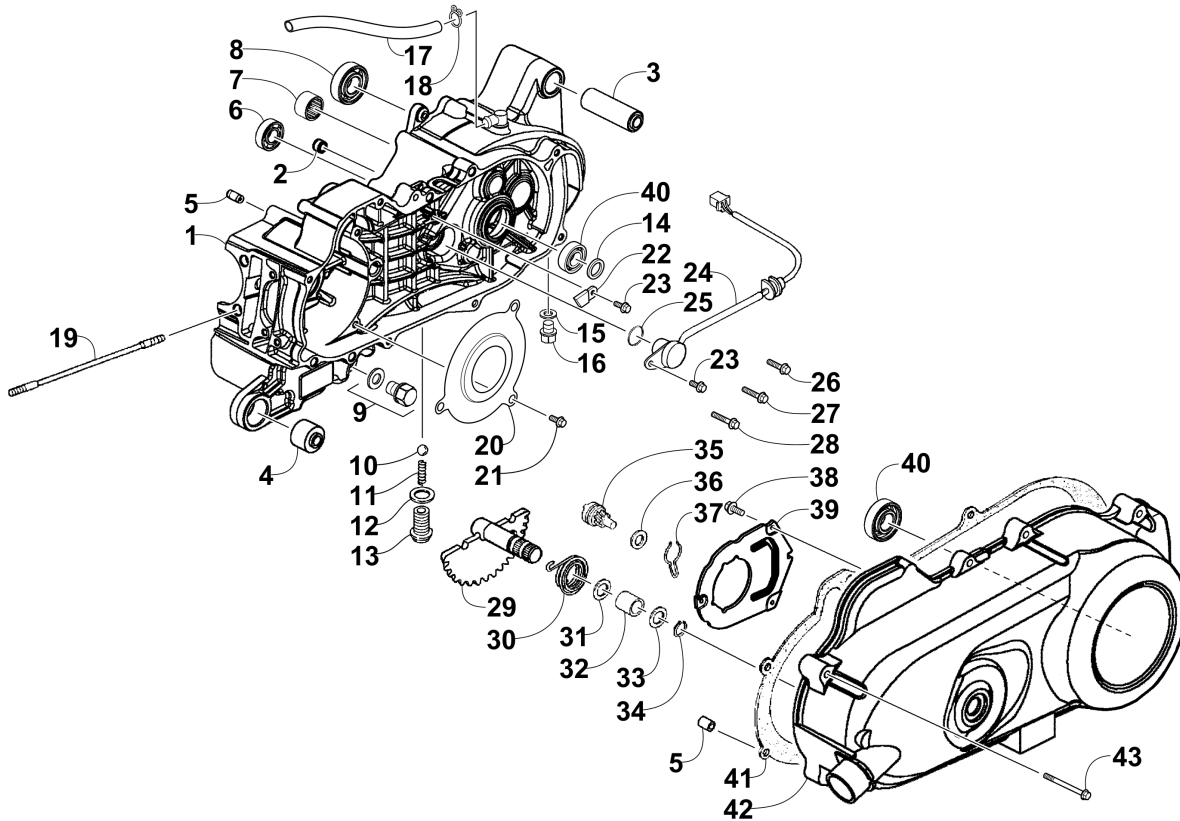
| Item | Part No. | Qty | Name                   | Context | Footnote |
|------|----------|-----|------------------------|---------|----------|
| 16   | 3304-654 | 1   | Nut, Flange - 6 mm     |         |          |
| 17   | 3303-141 | 1   | Switch, Brake          |         |          |
| 18   | 3303-321 | 1   | Screw, Machine         |         |          |
| 19   | 3307-098 | 1   | Hose, Brake - Assembly |         |          |
| 20   | 3303-284 | 4   | Washer, Crush          |         |          |
| 21   | 3303-257 | 2   | Bolt, Oil - 10 x 22    |         |          |
| 22   | 3307-099 | 1   | Cable, Parking Brake   |         |          |

# KICK STARTER AND COOLING DUCT ASSEMBLY [100318]



| Item | Part No. | Qty | Name                         | Context    | Footnote |
|------|----------|-----|------------------------------|------------|----------|
| 1    | 3303-123 | 1   | Arm, Kick Starter - Assembly | (inc. 2-3) |          |
| 2    | 3305-247 | 1   | E-Ring                       |            |          |
| 3    | 3305-195 | 1   | Washer                       |            |          |
| 4    | 3304-551 | 1   | Bolt, Flange - 6 x 22        |            |          |
| 5    | 3303-010 | 1   | Duct, Cooling                |            |          |
| 6    | 3303-074 | 1   | Clamp                        |            |          |
| 7    | 3303-287 | 1   | Clamp, Routing               |            |          |

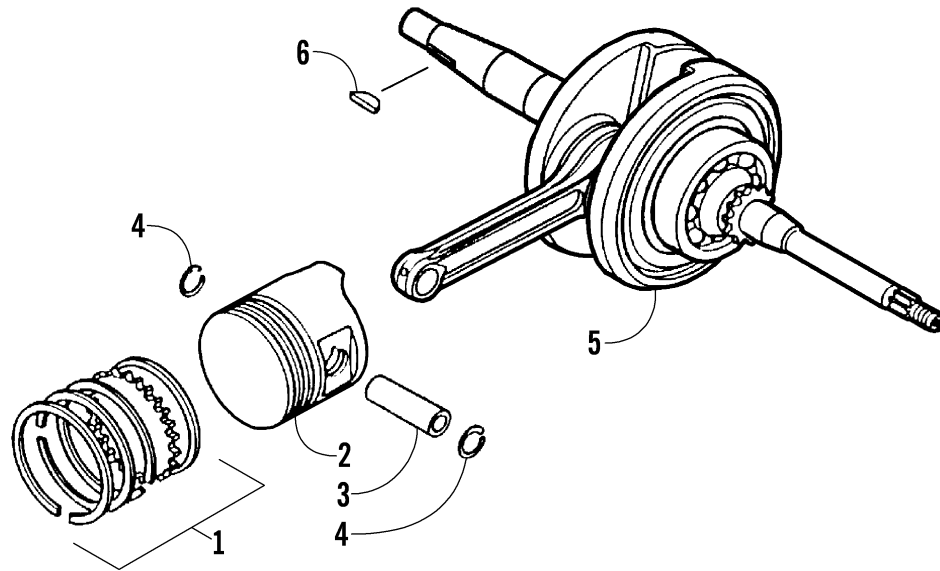
# LEFT CRANKCASE AND COVER ASSEMBLY [92732]



| Item | Part No. | Qty | Name                           | Context    | Footnote |
|------|----------|-----|--------------------------------|------------|----------|
| 1    | 3305-795 | 1   | Crankcase                      | (inc. 2-4) |          |
| 2    | 3304-597 | 1   | Plug                           |            |          |
| 3    | 3305-906 | 1   | Bushing, Rubber - Engine Mount |            |          |
| 4    | 3303-402 | 1   | Rubber Bushing, Engine Hanger  |            |          |
| 5    | 3303-341 | 4   | Pin, Dowel                     |            |          |
| 6    | 3304-905 | 1   | Bearing                        |            |          |
| 7    | 3304-074 | 1   | Bearing, Needle                |            |          |
| 8    | 3304-699 | 1   | Bearing, Ball - Radial         |            |          |
| 9    | 3304-052 | 1   | Screw, Cap - w/Washer          |            |          |
| 10   | 3304-205 | 1   | Bearing, Ball                  |            |          |
| 11   | 3304-063 | 1   | Spring, Seat                   |            |          |
| 12   | 3304-021 | 1   | Washer                         |            |          |
| 13   | 3304-109 | 1   | Screw, Seat                    |            |          |
| 14   | 3303-297 | 1   | Seal, Oil                      |            |          |
| 15   | 3303-278 | 1   | Washer                         |            |          |
| 16   | 3303-365 | 1   | Screw, Cap                     |            |          |
| 17   | 3305-798 | 1   | Hose, Vent                     |            |          |
| 18   | 3303-714 | 1   | Clamp, Hose                    |            |          |
| 19   | 3303-248 | 2   | Bolt, Stud                     |            |          |
| 20   | 3304-460 | 1   | Plate, Dust                    |            |          |

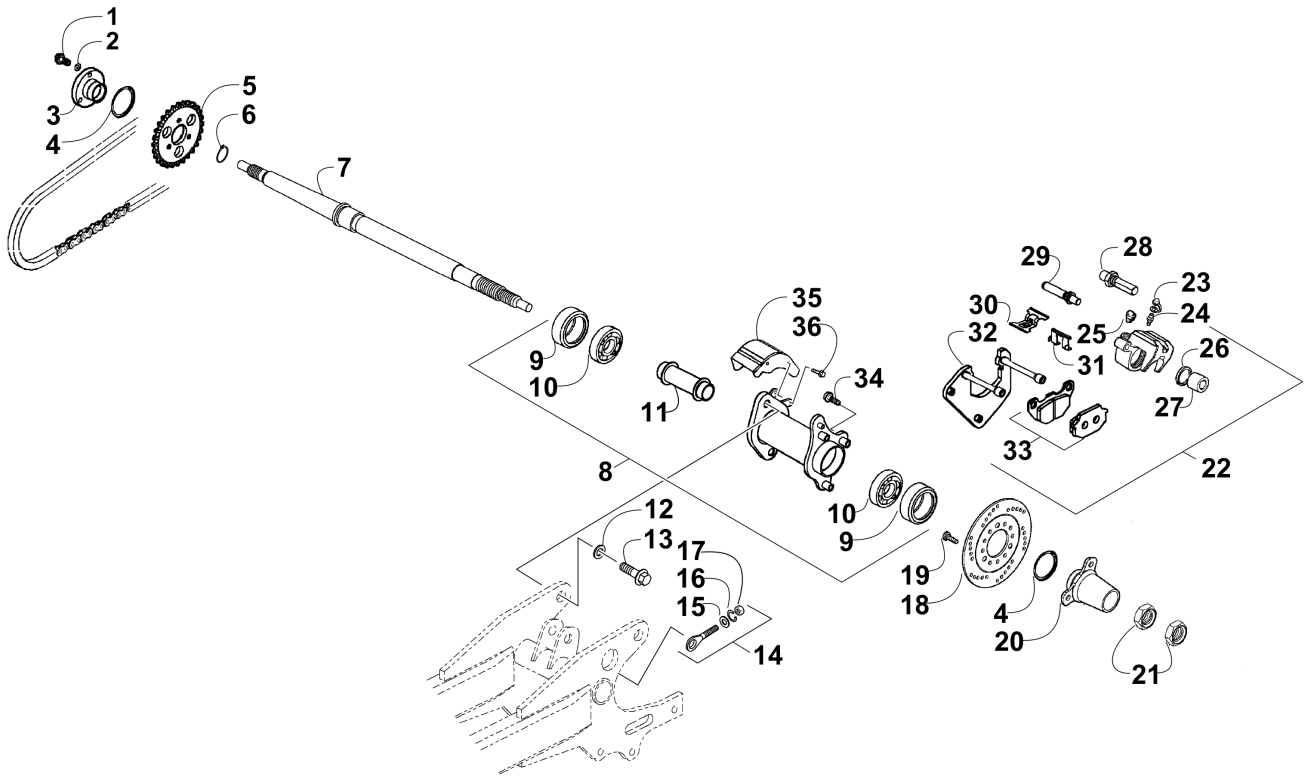
| Item | Part No. | Qty | Name                    | Context   | Footnote |
|------|----------|-----|-------------------------|-----------|----------|
| 21   | 3303-381 | 3   | Screw, Cap              |           |          |
| 22   | 3304-040 | 1   | Retainer, Bearing       |           |          |
| 23   | 3304-187 | 2   | Screw, Cap              |           |          |
| 24   | 3305-797 | 1   | Switch, Gear Position   | (inc. 25) |          |
| 25   | 3305-776 | 1   | O-Ring                  |           |          |
| 26   | 3303-385 | 1   | Screw, Cap              |           |          |
| 27   | 3303-370 | 6   | Screw, Cap              |           |          |
| 28   | 3303-372 | 1   | Screw, Cap              |           |          |
| 29   | 3303-119 | 1   | Spindle, Kick Starter   |           |          |
| 30   | 3303-122 | 1   | Spring                  |           |          |
| 31   | 3303-121 | 1   | Washer                  |           |          |
| 32   | 3303-120 | 1   | Spacer                  |           |          |
| 33   | 3303-276 | 1   | Washer                  |           |          |
| 34   | 3303-345 | 1   | Ring, Retaining         |           |          |
| 35   | 3303-118 | 1   | Gear, Driven            |           |          |
| 36   | 3303-272 | 1   | Washer, Thrust          |           |          |
| 37   | 3303-117 | 1   | Spring                  |           |          |
| 38   | 3303-391 | 3   | Screw, Cap              |           |          |
| 39   | 3303-009 | 1   | Plate, Cover            |           |          |
| 40   | 3303-465 | 2   | Bearing                 |           |          |
| 41   | 3303-013 | 1   | Gasket, Crankcase Cover |           |          |
| 42   | 3305-907 | 1   | Cover, Crankcase        |           |          |
| 43   | 3303-386 | 7   | Bolt, Flange            |           |          |

# PISTON AND CRANKSHAFT ASSEMBLY [90952]



| Item | Part No. | Qty | Name               | Context | Footnote |
|------|----------|-----|--------------------|---------|----------|
| 1    | 3303-024 | 1   | Ring, Piston - Set |         |          |
| 2    | 3303-025 | 1   | Piston             |         |          |
| 3    | 3303-026 | 1   | Pin, Piston        |         |          |
| 4    | 3303-027 | 2   | Clip, Piston Pin   |         |          |
| 5    | 3305-443 | 1   | Crankshaft         |         |          |
| 6    | 3303-290 | 1   | Key                |         |          |

# REAR AXLE AND BRAKE ASSEMBLY [300477]

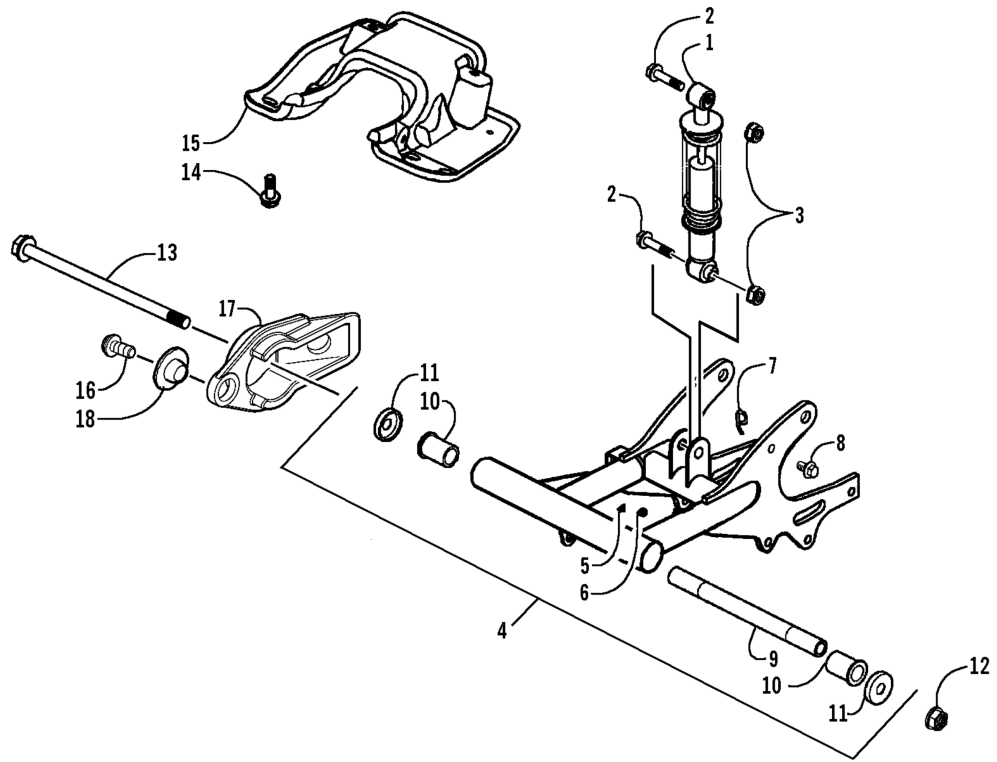


| Item | Part No. | Qty | Name                       | Context      | Footnote |
|------|----------|-----|----------------------------|--------------|----------|
| 1    | 3304-565 | 3   | Bolt, Flange - 8 x 20      |              |          |
| 2    | 3303-607 | 3   | Washer, Spring - 8 mm      |              |          |
| 3    | 3305-835 | 1   | Retainer, Sprocket         |              |          |
| 4    | 3305-298 | 2   | O-Ring                     |              |          |
| 5    | 3303-148 | 1   | Sprocket, Final Drive      |              |          |
| 6    | 3305-840 | 1   | Ring, Retaining            |              |          |
| 7    | 3305-838 | 1   | Axle, Rear                 |              |          |
| 8    | 3305-347 | 1   | Hub, Rear - Assembly       | (inc. 9-11)  |          |
| 9    | 3303-461 | 2   | Seal                       |              |          |
| 10   | 3303-466 | 2   | Bearing                    |              |          |
| 11   | 3303-427 | 1   | Spacer                     |              |          |
| 12   | 3303-281 | 3   | Washer                     |              |          |
| 13   | 3303-379 | 4   | Screw, Cap                 |              |          |
| 14   | 3303-147 | 1   | Adjuster, Chain - Assembly | (inc. 15-17) |          |
| 15   | 3304-135 | 1   | Washer, Plain - 8 mm       |              |          |
| 16   | 3303-607 | 1   | Washer, Spring - 8 mm      |              |          |
| 17   | 3304-125 | 1   | Nut                        |              |          |
| 18   | 3303-162 | 1   | Disc, Brake                |              |          |
| 19   | 3303-253 | 3   | Bolt, Disk                 |              |          |
| 20   | 3305-249 | 1   | Bracket, Brake Disc        |              |          |

| Item | Part No. | Qty | Name                      | Context      | Footnote |
|------|----------|-----|---------------------------|--------------|----------|
| 21   | 3305-839 | 2   | Nut                       |              |          |
| 22   | 3307-089 | 1   | Caliper, Rear - Assembly  | (inc. 23-33) |          |
| 23   | 3304-331 | 1   | Cap, Bleed Valve          |              |          |
| 24   | 3307-091 | 1   | Valve, Bleed              |              |          |
| 25   | 3304-334 | 1   | Plug                      |              |          |
| 26   | 3305-380 | 1   | Seal, Piston (Foot Brake) |              |          |
| 27   | 3307-092 | 1   | Piston                    |              |          |
| 28   | 3304-589 | 1   | Boot                      |              |          |
| 29   | 3304-590 | 1   | Boot B                    |              |          |
| 30   | 3304-315 | 1   | Spring                    |              |          |
| 31   | 3306-585 | 1   | Seal, Dust                |              |          |
| 32   | 3307-090 | 1   | Bracket                   |              |          |
| 33   | 3303-908 | 1   | Pad, Brake - Set          |              |          |
| 34   | 3303-256 | 2   | Screw, Cap                |              |          |
| 35   | 3303-144 | 1   | Guard, Chain              |              |          |
| 36   | 3304-610 | 2   | Screw, Cap                |              |          |

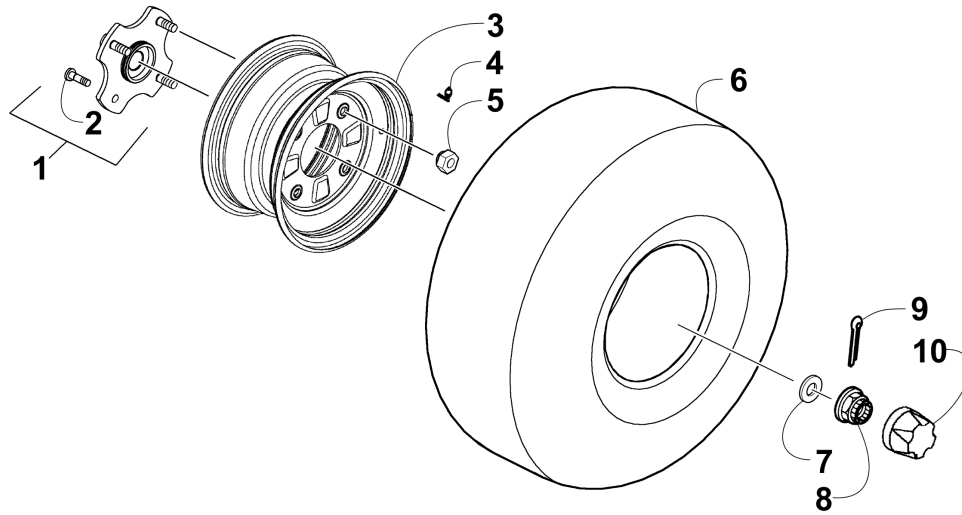


# REAR SUSPENSION ASSEMBLY [301240]



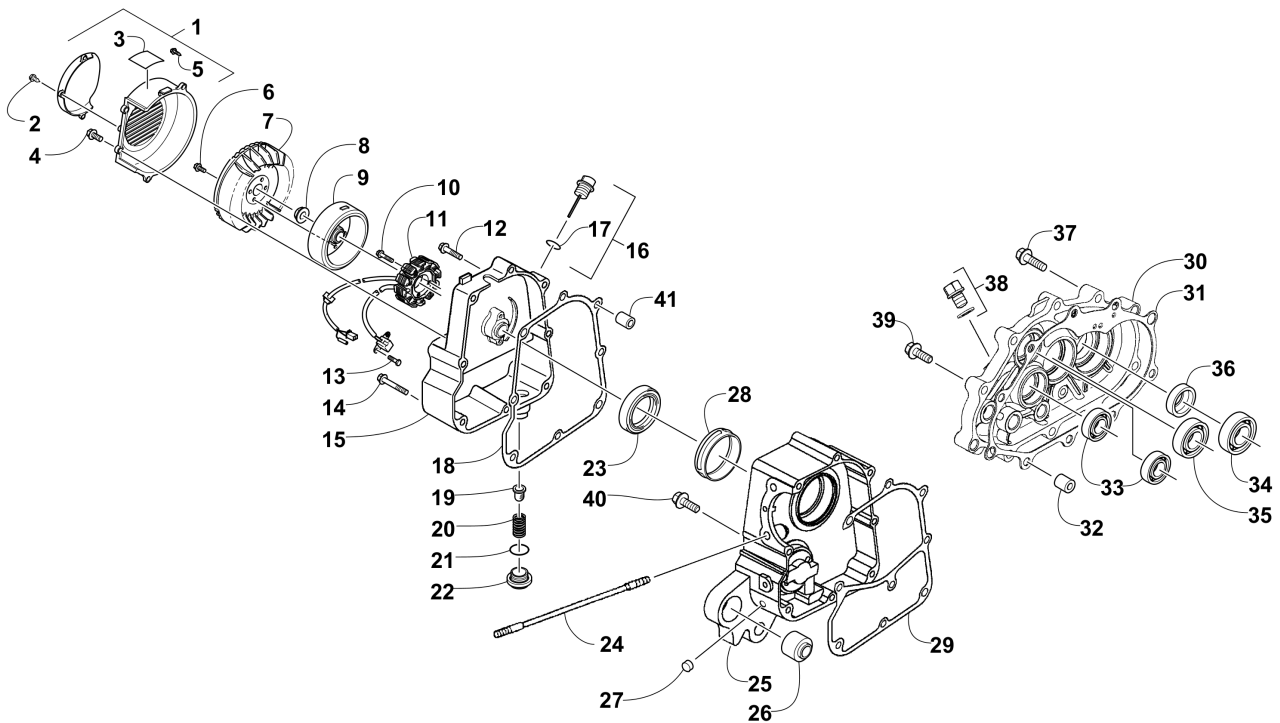
| Item | Part No. | Qty | Name                             | Context     | Footnote |
|------|----------|-----|----------------------------------|-------------|----------|
| 1    | 3306-394 | 1   | Shock/Spring Assembly - Orange   |             |          |
| 2    | 3303-376 | 2   | Screw, Cap - HFH M10 x 1.25 x 40 |             |          |
| 3    | 3304-031 | 2   | U-Nut                            |             |          |
| 4    | 3305-858 | 1   | Fork, Rear - Assembly            | (inc. 5-11) |          |
| 5    | 3303-394 | 1   | Cap, Grease Fitting              |             |          |
| 6    | 3303-393 | 1   | Fitting, Grease                  |             |          |
| 7    | 3304-594 | 1   | Clamp, Routing                   |             |          |
| 8    | 3303-356 | 1   | Bolt, Flange                     |             |          |
| 9    | 3303-189 | 1   | Axle                             |             |          |
| 10   | 3303-191 | 2   | Bushing                          |             |          |
| 11   | 3303-192 | 2   | Cap                              |             |          |
| 12   | 3304-032 | 1   | Nut                              |             |          |
| 13   | 3303-150 | 1   | Screw, Cap                       |             |          |
| 14   | 3305-454 | 4   | Screw, Cap                       |             |          |
| 15   | 3305-996 | 1   | Guard, Rear Suspension           |             |          |
| 16   | 3307-204 | 2   | Screw, Self-Tapping              |             |          |
| 17   | 3305-859 | 1   | Guide, Chain                     |             |          |
| 18   | 3304-360 | 2   | Bushing                          |             |          |

# REAR WHEEL ASSEMBLY [301241]



| Item | Part No. | Qty | Name                   | Context  | Footnote |
|------|----------|-----|------------------------|----------|----------|
| 1    | 3305-869 | 2   | Hub, Wheel             | (inc. 2) |          |
| 2    | 3303-250 | 8   | Bolt, Stud             |          |          |
| 3    | 3306-894 | 2   | Wheel Assembly - Black |          |          |
| 4    | 3303-887 | 2   | Stem, Valve            |          |          |
| 5    | 3303-266 | 8   | Nut                    |          |          |
| 6    | 3303-428 | 2   | Tire                   |          |          |
| 7    | 3305-285 | 2   | Washer                 |          |          |
| 8    | 3303-330 | 2   | Nut, Lock              |          |          |
| 9    | 3303-340 | 2   | Pin, Cotter            |          |          |
| 10   | 3303-430 | 2   | Cap, Wheel             |          |          |

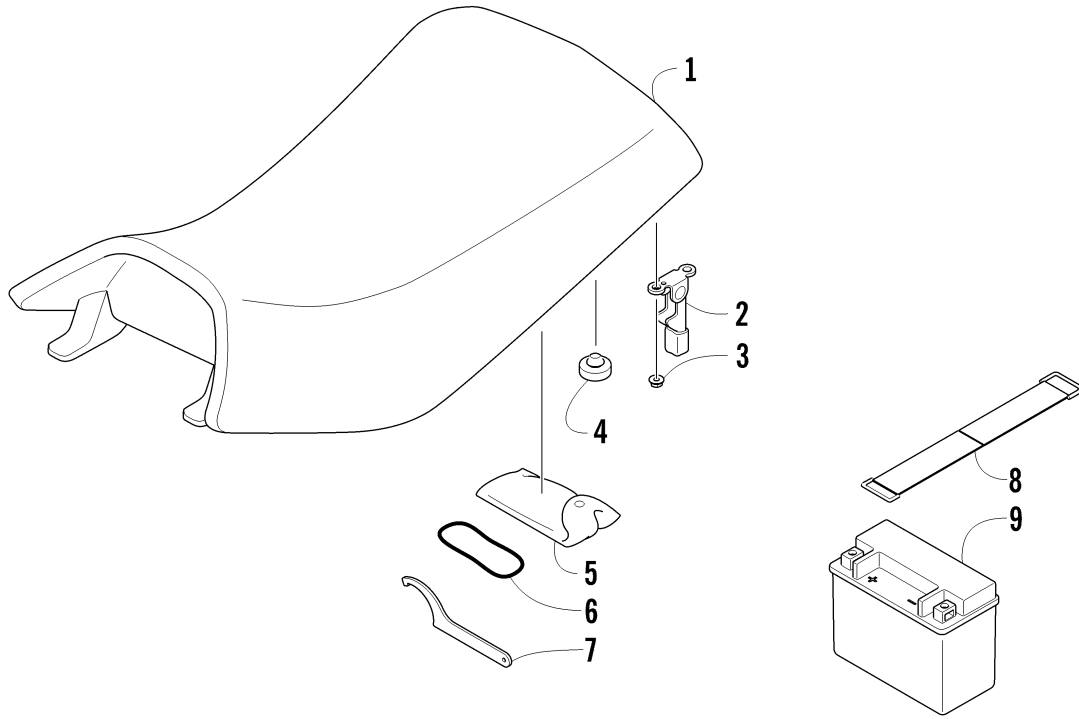
# RIGHT CRANKCASE AND COVER ASSEMBLY [301220]



| Item | Part No. | Qty | Name                                       | Context    | Footnote |
|------|----------|-----|--|------------|----------|
| 1    | 3305-910 | 1   | Cover, Fan - Assembly                      |            |          |
| 2    | 3304-651 | 3   | Screw, Self-Tapping                        |            |          |
| 3    | 2411-052 | 1   | Decal, Shift                               |            |          |
| 4    | 3307-050 | 2   | Screw, Cap                                 |            |          |
| 5    | 3304-585 | 2   | Screw, Self-Tapping - 5 x 16 (Square Head) |            |          |
| 6    | 3307-061 | 4   | Screw, Cap                                 |            |          |
| 7    | 3303-075 | 1   | Fan, Cooling                               |            |          |
| 8    | 3307-058 | 1   | Nut  |            |          |
| 9    | 3303-127 | 1   | Rotor/Flywheel                             | (A) - D402 |          |
| 9    | 3303-414 | 1   | Rotor/Flywheel                             | (B) - D406 |          |
| 9    | 3303-415 | 1   | Rotor/Flywheel                             | (C) - D414 |          |
| 10   | 3304-189 | 2   | Bolt, Flange                               |            |          |
| 11   | 3304-641 | 1   | Stator - Assembly                          | (O) - D402 |          |
| 11   | 3305-254 | 1   | Stator - Assembly (D406)                   | (A) - D406 |          |
| 11   | 3305-256 | 1   | Stator - Assembly (D414)                   | (B) - D414 |          |
| 12   | 3304-580 | 4   | Screw, Cap                                 |            |          |
| 13   | 3307-059 | 2   | Screw, Cap                                 |            |          |
| 14   | 3307-200 | 4   | Screw, Cap                                 |            |          |
| 15   | 3303-007 | 1   | Cover, Crankcase                           |            |          |
| 16   | 3303-050 | 1   | Gauge, Oil Level                           | (inc. 17)  |          |

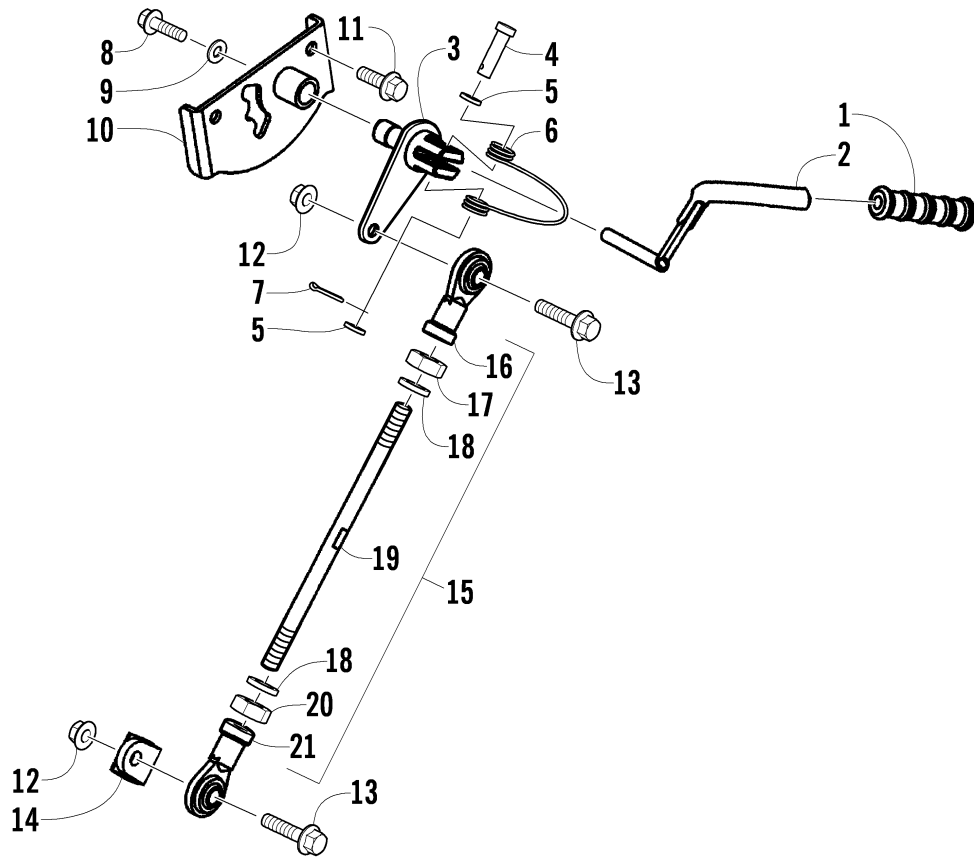
| Item | Part No. | Qty | Name                          | Context                   | Footnote |
|------|----------|-----|-------------------------------|---------------------------|----------|
| 17   | 3304-102 | 1   | O-Ring                        |                           |          |
| 18   | 3303-012 | 1   | Gasket, Crankcase Cover       |                           |          |
| 19   | 3303-691 | 1   | Screen, Oil Filter            |                           |          |
| 20   | 3303-692 | 1   | Spring, Oil Filter Screen     |                           |          |
| 21   | 3304-096 | 1   | O-Ring                        |                           |          |
| 22   | 3303-021 | 1   | Cap                           |                           |          |
| 23   | 3303-296 | 2   | Seal, Oil                     |                           |          |
| 24   | 3303-247 | 2   | Bolt, Stud                    |                           |          |
| 25   | 3303-400 | 1   | Set, Crankcase - Right        | (inc. 26-28)              |          |
| 26   | 3303-402 | 1   | Rubber Bushing, Engine Hanger |                           |          |
| 27   | 3304-065 | 2   | Plug                          |                           |          |
| 28   | 0        | 1   | Insert                        | Not Serviced Individually |          |
| 29   | 3303-003 | 1   | Gasket, Crankcase             |                           |          |
| 30   | 3305-806 | 1   | Case, Transmission            |                           |          |
| 31   | 3305-807 | 1   | Gasket, Transmission Case     |                           |          |
| 32   | 3303-342 | 2   | Pin, Dowel                    |                           |          |
| 33   | 3303-596 | 2   | Bearing Ball, Radial          |                           |          |
| 34   | 3305-821 | 1   | Bearing                       |                           |          |
| 35   | 3304-909 | 1   | Bearing                       |                           |          |
| 36   | 3305-808 | 1   | Seal, Oil                     |                           |          |
| 37   | 3305-513 | 2   | Bolt, Flange                  |                           |          |
| 38   | 3304-052 | 1   | Screw, Cap - w/Washer         |                           |          |
| 39   | 3303-616 | 8   | Bolt, Flange                  |                           |          |
| 40   | 3303-387 | 1   | Screw, Cap                    |                           |          |
| 41   | 3303-341 | 2   | Pin, Dowel                    |                           |          |

# SEAT, BATTERY, AND TOOL KIT ASSEMBLIES [94241]



| Item | Part No. | Qty | Name                 | Context    | Footnote |
|------|----------|-----|----------------------|------------|----------|
| 1    | 3304-497 | 1   | Seat Assembly        | (inc. 2-4) |          |
| 2    | 3304-392 | 1   | Latch, Seat          |            |          |
| 3    | 3304-654 | 2   | Nut, Flange - 6 mm   |            |          |
| 4    | 3304-568 | 2   | Bumper, Seat - Front |            |          |
| 5    | 3303-578 | 1   | Tool Set             |            |          |
| 6    | 3303-242 | 1   | Retainer, Tool Kit   |            |          |
| 7    | 1441-797 | 1   | Wrench, Spanner      |            | Optional |
| 8    | 3304-434 | 1   | Hold-Down, Battery   |            |          |
| 9    | 3303-131 | 1   | Battery              |            |          |

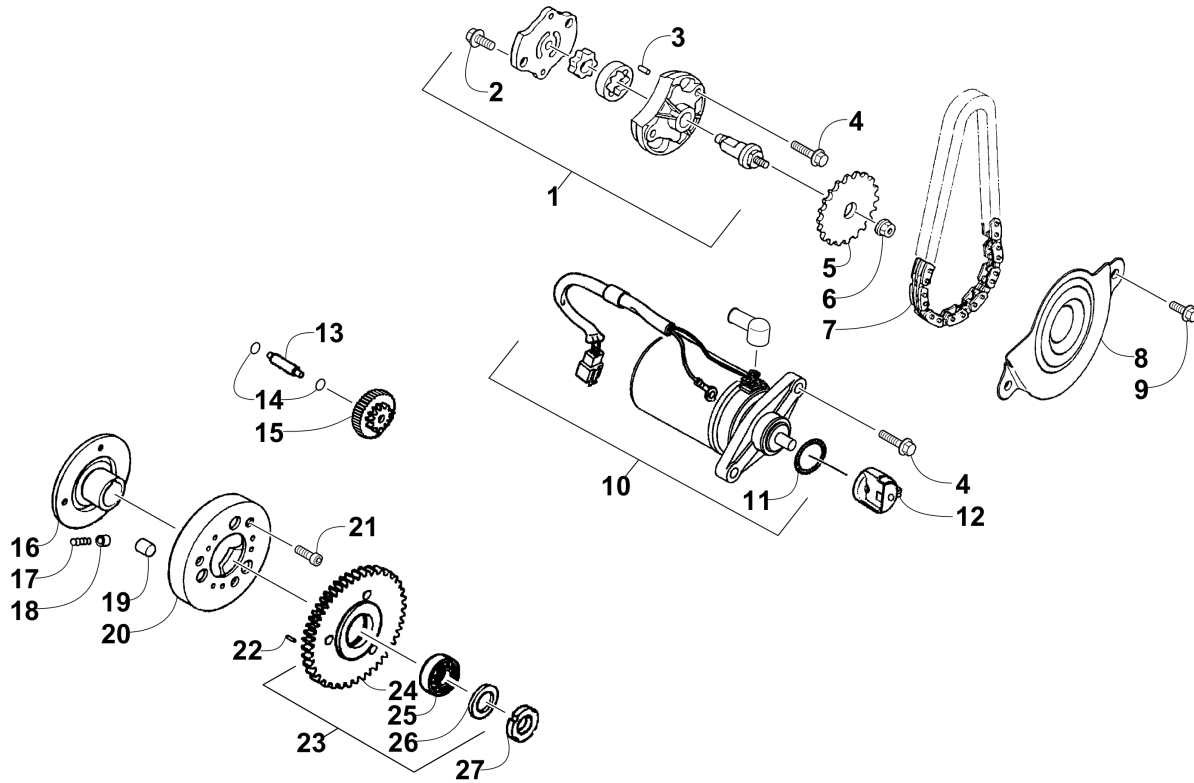
# SHIFT LEVER ASSEMBLY [92722]



| Item | Part No. | Qty | Name                        | Context      | Footnote           |
|------|----------|-----|-----------------------------|--------------|--------------------|
| 1    | 3305-911 | 1   | Handle, Shift Lever         |              |                    |
| 2    | 3305-854 | 1   | Lever, Shift                |              |                    |
| 3    | 3305-849 | 1   | Pivot, Shift Lever          |              |                    |
| 4    | 3303-817 | 1   | Pin, Shift Lever            |              |                    |
| 5    | 3305-195 | 2   | Washer                      |              |                    |
| 6    | 3305-853 | 1   | Spring                      |              |                    |
| 7    | 3304-142 | 1   | Pin, Cotter                 |              |                    |
| 8    | 3304-553 | 1   | Bolt, Flange - 6 x 12       |              |                    |
| 9    | 3305-852 | 1   | Washer                      |              |                    |
| 10   | 3305-851 | 1   | Bracket, Shift Lever        |              |                    |
| 11   | 3304-543 | 2   | Screw, Cap                  |              |                    |
| 12   | 3304-668 | 2   | Nut, Lock                   |              |                    |
| 13   | 3304-176 | 2   | Bolt, Flange                |              |                    |
| 14   | 3305-825 | 1   | Bracket, Shift Guide        |              |                    |
| 15   | 3305-847 | 1   | Shift Linkage Assembly      | (inc. 16-21) |                    |
| 16   |          | 1   | Ball Joint, Tie Rod - Right |              | Not a Service Part |
| 17   |          | 1   | Nut                         |              | Not a Service Part |
| 18   | 0        | 2   | Washer                      |              | Not a Service Part |
| 19   |          | 1   | Tie Rod                     |              | Not a Service Part |
| 20   |          | 1   | Nut                         |              | Not a Service Part |

| Item | Part No. | Qty | Name                       | Context | Footnote           |
|------|----------|-----|----------------------------|---------|--------------------|
| 21   |          | 1   | Ball Joint, Tie Rod - Left |         | Not a Service Part |

# STARTER MOTOR AND OIL PUMP ASSEMBLY [97646]

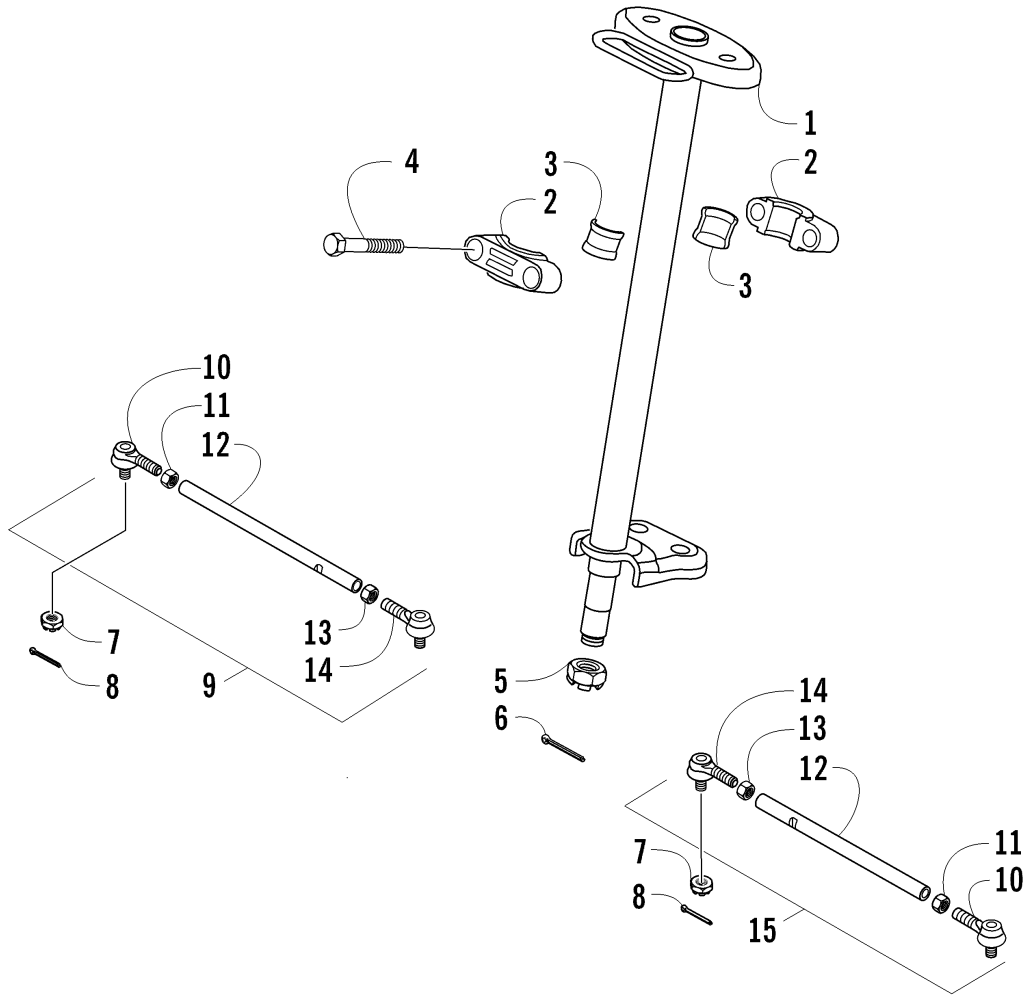


| Item | Part No. | Qty | Name                     | Context    | Footnote |
|------|----------|-----|--------------------------|------------|----------|
| 1    | 3303-045 | 1   | Pump, Oil - Assembly     | (inc. 2-3) |          |
| 2    | 3304-426 | 1   | Screw, Cap               |            |          |
| 3    | 3304-144 | 1   | Pin, Alignment           |            |          |
| 4    | 3303-384 | 4   | Bolt, Flange             |            |          |
| 5    | 3303-046 | 1   | Sprocket                 |            |          |
| 6    | 3304-654 | 1   | Nut, Flange - 6 mm       |            |          |
| 7    | 3303-047 | 1   | Chain, Oil Pump          |            |          |
| 8    | 3303-051 | 1   | Separator, Oil           |            |          |
| 9    | 3303-381 | 2   | Screw, Cap               |            |          |
| 10   | 3305-802 | 1   | Motor, Starter           | (inc. 11)  |          |
| 11   | 3303-604 | 1   | O-Ring                   |            |          |
| 12   | 3303-130 | 1   | Cover, Starter           |            |          |
| 13   | 3303-110 | 1   | Shaft, Starter Reduction |            |          |
| 14   | 3303-282 | 2   | Washer                   |            |          |
| 15   | 3303-109 | 1   | Gear, Starter Reduction  |            |          |
| 16   | 3303-115 | 1   | Plate, Starter Clutch    |            |          |
| 17   | 3303-113 | 3   | Spring                   |            |          |
| 18   | 3303-114 | 3   | Roller, Starter          |            |          |
| 19   | 3303-293 | 3   | Roller                   |            |          |
| 20   | 3303-112 | 1   | Clutch, Outer            |            |          |



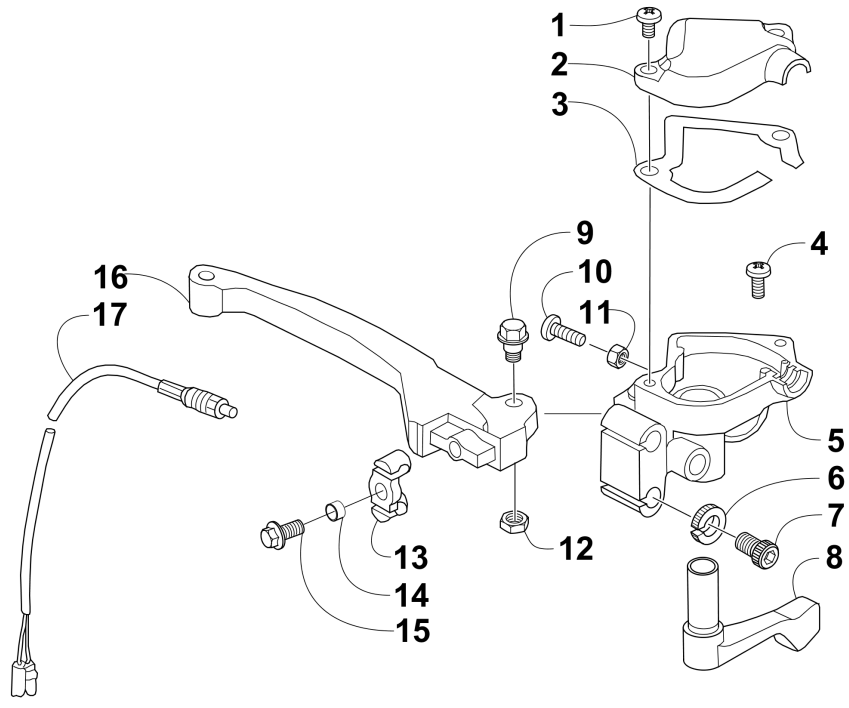
| Item | Part No. | Qty | Name                   | Context      | Footnote |
|------|----------|-----|------------------------|--------------|----------|
| 21   | 3303-396 | 3   | Screw, Cap             |              |          |
| 22   | 3303-395 | 1   | Pin, Dowel             |              |          |
| 23   | 3306-806 | 1   | Gear, Starter Assembly | (inc. 24-26) |          |
| 24   | 3306-803 | 1   | Gear, Starter          |              |          |
| 25   | 3303-292 | 1   | Bearing                |              |          |
| 26   | 3303-285 | 1   | Circlip                |              |          |
| 27   | 3303-258 | 1   | Nut                    |              |          |

# STEERING POST ASSEMBLY [92721]



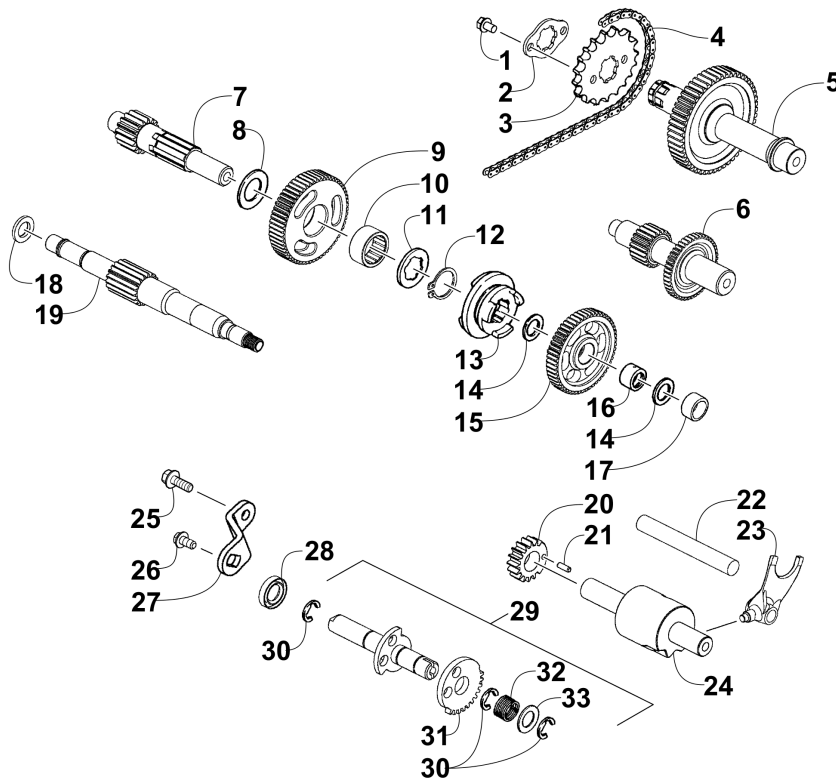
| Item | Part No. | Qty | Name                         | Context              | Footnote |
|------|----------|-----|------------------------------|----------------------|----------|
| 1    | 3303-573 | 1   | Post, Steering               |                      |          |
| 2    | 3303-213 | 2   | Holder, Steering Post        |                      |          |
| 3    | 3305-497 | 1   | Sleeve, Stem                 |                      |          |
| 4    | 3304-559 | 2   | Screw, Cap                   |                      |          |
| 5    | 3304-032 | 1   | Nut                          |                      |          |
| 6    | 3303-470 | 1   | Pin, Cotter                  |                      |          |
| 7    | 3303-266 | 4   | Nut                          |                      |          |
| 8    | 3303-621 | 4   | Pin, Cotter                  |                      |          |
| 9    | 3305-485 | 1   | Tie Rod Assembly - Right     | (inc. one No. 10-14) |          |
| 10   | 3305-486 | 2   | Ball Joint, Tie Rod - Right  |                      |          |
| 11   | 3303-326 | 2   | Nut - Right-Hand Thread      |                      |          |
| 12   | 3305-282 | 2   | Tie Rod                      |                      |          |
| 13   | 3303-327 | 2   | Nut, Hex - Right-Hand Thread |                      |          |
| 14   | 3305-487 | 2   | Ball Joint, Tie Rod - Left   |                      |          |
| 15   | 3305-499 | 1   | Tie Rod Assembly - Left      | (inc. one No. 10-14) |          |

# THROTTLE CONTROL ASSEMBLY [94248]



| Item | Part No. | Qty | Name                               | Context | Footnote |
|------|----------|-----|------------------------------------|---------|----------|
| -    | 3305-979 | 1   | Complete Throttle Control Assembly |         |          |
| 1    | 3303-315 | 2   | Screw, Machine                     |         |          |
| 2    | 3303-207 | 1   | Cover, Throttle Control            |         |          |
| 3    | 3303-209 | 1   | Gasket                             |         |          |
| 4    | 3303-397 | 1   | Screw, Machine                     |         |          |
| 5    | 3303-204 | 1   | Housing, Throttle Control          |         |          |
| 6    | 3303-271 | 2   | Nut                                |         |          |
| 7    | 3303-208 | 2   | Screw, Adjuster                    |         |          |
| 8    | 3303-200 | 1   | Lever, Throttle                    |         |          |
| 9    | 3303-255 | 1   | Screw, Shoulder                    |         |          |
| 10   | 3305-980 | 1   | Screw, Machine                     |         |          |
| 11   | 3305-832 | 1   | Nut                                |         |          |
| 12   | 3303-262 | 1   | Nut                                |         |          |
| 13   | 3303-201 | 1   | Retainer, Brake Cable              |         |          |
| 14   | 3303-202 | 1   | Spacer                             |         |          |
| 15   | 3305-344 | 1   | Bolt, Flange - 6 x 16              |         |          |
| 16   | 3306-054 | 1   | Lever, Brake                       |         |          |
| 17   | 3303-140 | 1   | Switch, Brake                      |         |          |

# TRANSMISSION ASSEMBLY [94232]



| Item | Part No. | Qty | Name                    | Context | Footnote |
|------|----------|-----|-------------------------|---------|----------|
| 1    | 3303-307 | 2   | Screw, Cap              |         |          |
| 2    | 3303-108 | 1   | Plate, Retaining        |         |          |
| 3    | 3305-814 | 1   | Sprocket, Drive         |         |          |
| 4    | 3305-820 | 1   | Chain, Drive            |         |          |
| 5    | 3305-805 | 1   | Shaft, Final            |         |          |
| 6    | 3305-822 | 1   | Countershaft - Assembly |         |          |
| 7    | 3305-809 | 1   | Shaft, Main             |         |          |
| 8    | 3304-042 | 1   | Washer, Thrust          |         |          |
| 9    | 3305-811 | 1   | Gear, Reverse           |         |          |
| 10   | 3304-074 | 1   | Bearing, Needle         |         |          |
| 11   | 3305-812 | 1   | Washer                  |         |          |
| 12   | 3303-344 | 1   | Ring, Retaining         |         |          |
| 13   | 3305-029 | 1   | Gear Select, Sliding    |         |          |
| 14   | 3303-275 | 2   | Washer, Thrust - 15 mm  |         |          |
| 15   | 3305-810 | 1   | Gear, Forward           |         |          |
| 16   | 3305-024 | 1   | Bushing                 |         |          |
| 17   | 3305-028 | 1   | Spacer                  |         |          |
| 18   | 3303-588 | 1   | Washer                  |         |          |
| 19   | 3305-813 | 1   | Driveshaft              |         |          |
| 20   | 3306-008 | 1   | Gear, Drum Shift        |         |          |

| Item | Part No. | Qty | Name                       | Context      | Footnote |
|------|----------|-----|----------------------------|--------------|----------|
| 21   | 3306-007 | 1   | Pin, Alignment             |              |          |
| 22   | 3304-513 | 1   | Shaft, Shift Fork          |              |          |
| 23   | 3305-815 | 1   | Fork, Shift                |              |          |
| 24   | 3306-006 | 1   | Cam, Gear Shift - Assembly |              |          |
| 25   | 3304-176 | 1   | Bolt, Flange               |              |          |
| 26   | 3304-652 | 1   | Screw, Cap                 |              |          |
| 27   | 3305-825 | 1   | Bracket, Shift Guide       |              |          |
| 28   | 3304-900 | 1   | Bearing                    |              |          |
| 29   | 3305-817 | 1   | Spindle Assembly           | (inc. 30-33) |          |
| 30   | 3304-153 | 3   | E-Ring                     |              |          |
| 31   | 3303-815 | 1   | Gear, Shift Handle         |              |          |
| 32   | 3305-818 | 1   | Spring, Gear Shift Return  |              |          |
| 33   | 3304-036 | 1   | Washer, Thrust             |              |          |



The illustrations used in this Parts Manual are for reference to replacement part numbers only and are not to be used for assembly. For assembly procedures, use an Arctic Cat Service Manual. For a complete list of related items, refer to the current accessory catalog. Once printed, Arctic Cat does not guarantee the accuracy of the information contained in this manual. Our parts lists and illustrations are constantly revised to reflect part number changes, discrepancies, and enhancements.

®™ Trademarks of Arctic Cat Inc., Thief River Falls, MN 56701