

2016

PARTS MANUAL



WILDCAT™ 4X

U2016WFW1PUSW - WHITE

U2016WFW1POSW - WHITE INTERNATIONAL



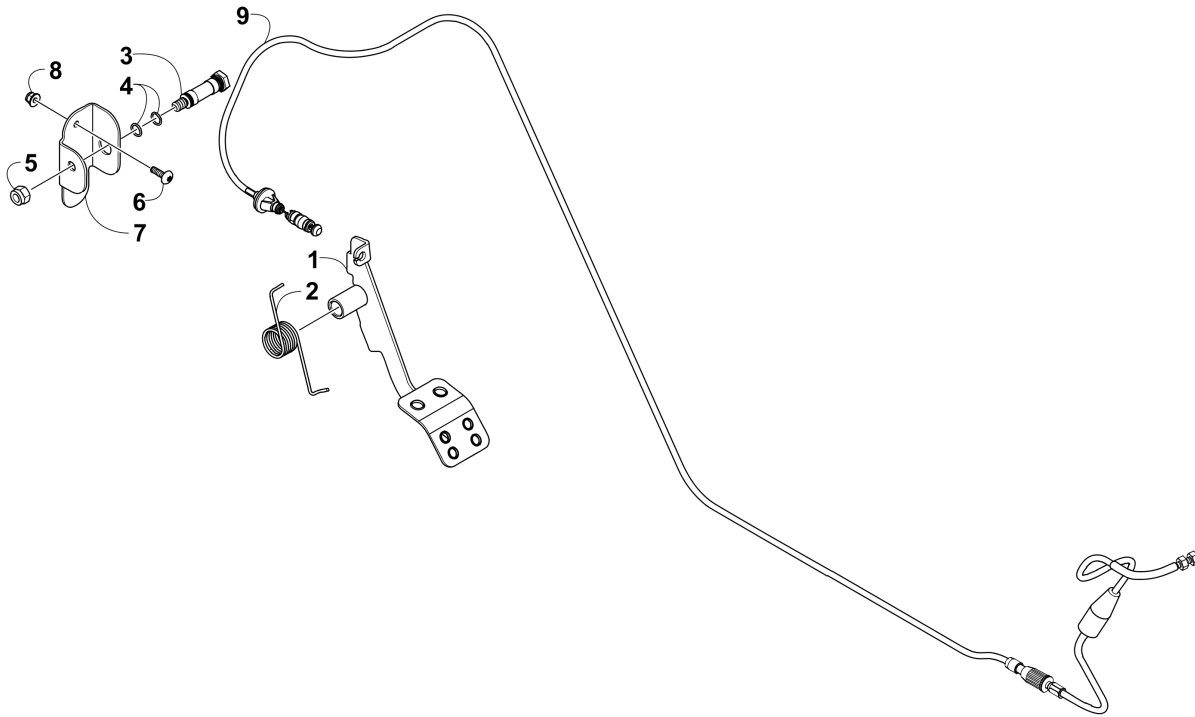
SHARE OUR PASSION.™

www.arcticcat.com

Contents

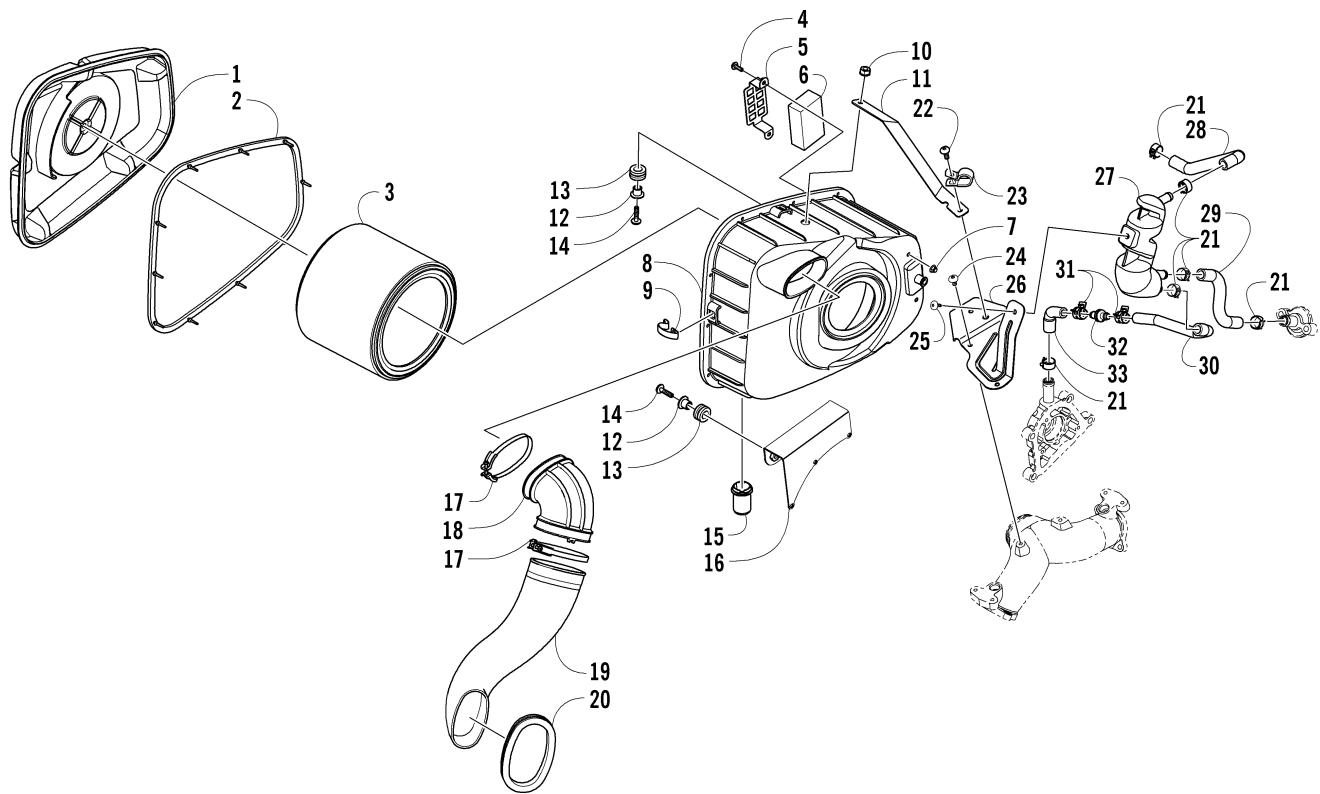
ACCELERATOR ASSEMBLY [100665]	1
AIR INTAKE ASSEMBLY [96523]	2
BATTERY AND STARTER MOTOR ASSEMBLY [301205]	4
CAM CHAIN ASSEMBLY [300149]	6
CARGO BOX AND TAILLIGHT ASSEMBLY [301237]	7
CASE/BELT COOLING ASSEMBLY [97746]	9
CLUTCH ASSEMBLY [100671]	10
CLUTCH SIDE ENGINE COVERS [100046]	12
COOLING ASSEMBLY [300144]	14
CRANKCASE ASSEMBLY [300150]	16
CRANKSHAFT AND PISTON ASSEMBLY [301348]	18
CYLINDER ASSEMBLY [300147]	19
CYLINDER HEAD AND CAMSHAFT/VALVE ASSEMBLY [100543]	20
DASH ASSEMBLY [301195]	22
DRIVE TRAIN ASSEMBLY [100038]	24
ENGINE AND EXHAUST [301021]	26
FRAME, HEADLIGHTS, AND RELATED PARTS [301197]	28
FRONT CONSOLE AND FLOOR PANEL ASSEMBLY [300776]	30
FRONT DOOR ASSEMBLY [301199]	32
FRONT DRIVE GEARCASE ASSEMBLY [301030]	34
FRONT PANEL ASSEMBLY [301193]	37
FRONT SEAT ASSEMBLY [301196]	38
FRONT SUSPENSION ASSEMBLY [301201]	40
GAS TANK ASSEMBLY [300164]	42
GEAR SHIFTING ASSEMBLY [100525]	44
HYDRAULIC BRAKE ASSEMBLY [300456]	45
MAGNETO ASSEMBLY [300154]	47
MAGNETO SIDE ENGINE COVERS [300789]	48
OIL COOLER ASSEMBLY [301204]	49
OIL PUMP ASSEMBLY [92690]	50
RACK AND PINION ASSEMBLY [100032]	51
REAR CONSOLE AND FLOOR PANEL ASSEMBLY [300777]	53
REAR DOOR ASSEMBLY [301200]	54
REAR DRIVE GEARCASE ASSEMBLY [100040]	56
REAR SEAT ASSEMBLY [300779]	58
REAR SUSPENSION ASSEMBLY [301202]	59
REAR SUSPENSION SHOCK ASSEMBLY [300786]	61
ROPS ASSEMBLY [301294]	62
SECONDARY DRIVE ASSEMBLY [300153]	63
SECONDARY TRANSMISSION ASSEMBLY [300687]	65
SHIFTER ASSEMBLY [300787]	67
SIDE PANEL ASSEMBLY [301194]	68
STARTER CLUTCH ASSEMBLY [300331]	70
STEERING ASSEMBLY [301013]	71
THROTTLE BODY ASSEMBLY [98636]	73
WATER PUMP ASSEMBLY [300151]	74
WHEEL AND TIRE ASSEMBLY [301203]	75
WIRING HARNESS ASSEMBLY [300788]	76

ACCELERATOR ASSEMBLY [100665]



Item	Part No.	New Part	Qty	Name	Context	Footnote
1	2502-049		1	Pedal, Accelerator		
2	0405-233		1	Spring		
3	0402-872		1	Axle		
4	1602-213		2	O-Ring		
5	8422-002		1	Nut, Lock		
6	8477-616		2	Screw, Machine		
7	0502-991		1	Bracket, Accelerator Pedal		
8	8427-602		2	Nut, Lock		
9	0487-096		1	Cable, Throttle		

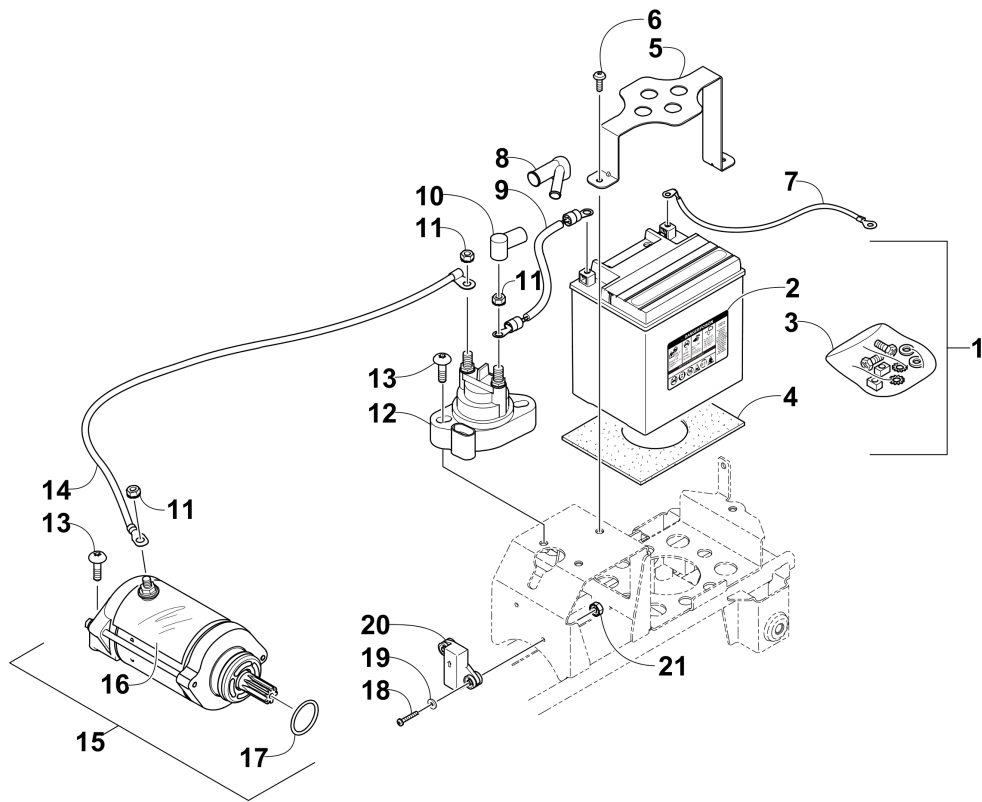
AIR INTAKE ASSEMBLY [96523]



Item	Part No.	New Part	Qty	Name	Context	Footnote
1	0470-936		1	Cover, Air Intake		
2	0470-937		1	Gasket		
3	0470-942		1	Filter, Air		
4	8477-516		2	Screw, Machine		
5	0470-946		1	Bracket, Retaining - Filter		
6	0470-891		1	Filter, Vent		
7	8427-502		2	Nut, Lock		
8	0570-347		1	Housing, Air Intake		
9	0423-455		5	Clip, Spring		
10	0623-038		1	Nut w/Washer		
11	0470-977		1	Bracket, Support		
12	0423-669		3	Spacer		
13	0423-465		3	Grommet		
14	8476-625		3	Screw, Machine		
15	0470-947		1	Valve, Drain		
16	0470-939		1	Bracket, Mounting - Air Intake		
17	0423-730		2	Clamp		
18	0470-940		1	Boot, Air-In		
19	0470-938		1	Duct, Intake		
20	0470-945		1	Grommet		

Item	Part No.	New Part	Qty	Name	Context	Footnote
21	0423-045		6	Clamp, Hose		
22	8476-616		1	Screw, Machine		
23	1623-675		1	Clamp		
24	8476-612		2	Screw, Machine		
25	0623-784		1	Screw, Self-Tapping		
26	0470-967		1	Bracket, Mounting - Oil Separator		
27	0470-857		1	Separator, Oil		
28	0410-243		1	Hose, Vent		
29	0410-258		1	Hose, Vent		
30	0410-245		1	Hose, Vent		
31	1623-281		2	Clamp, Hose		
32	0470-943		1	Valve, Check		
33	0410-244		1	Hose, Vent		

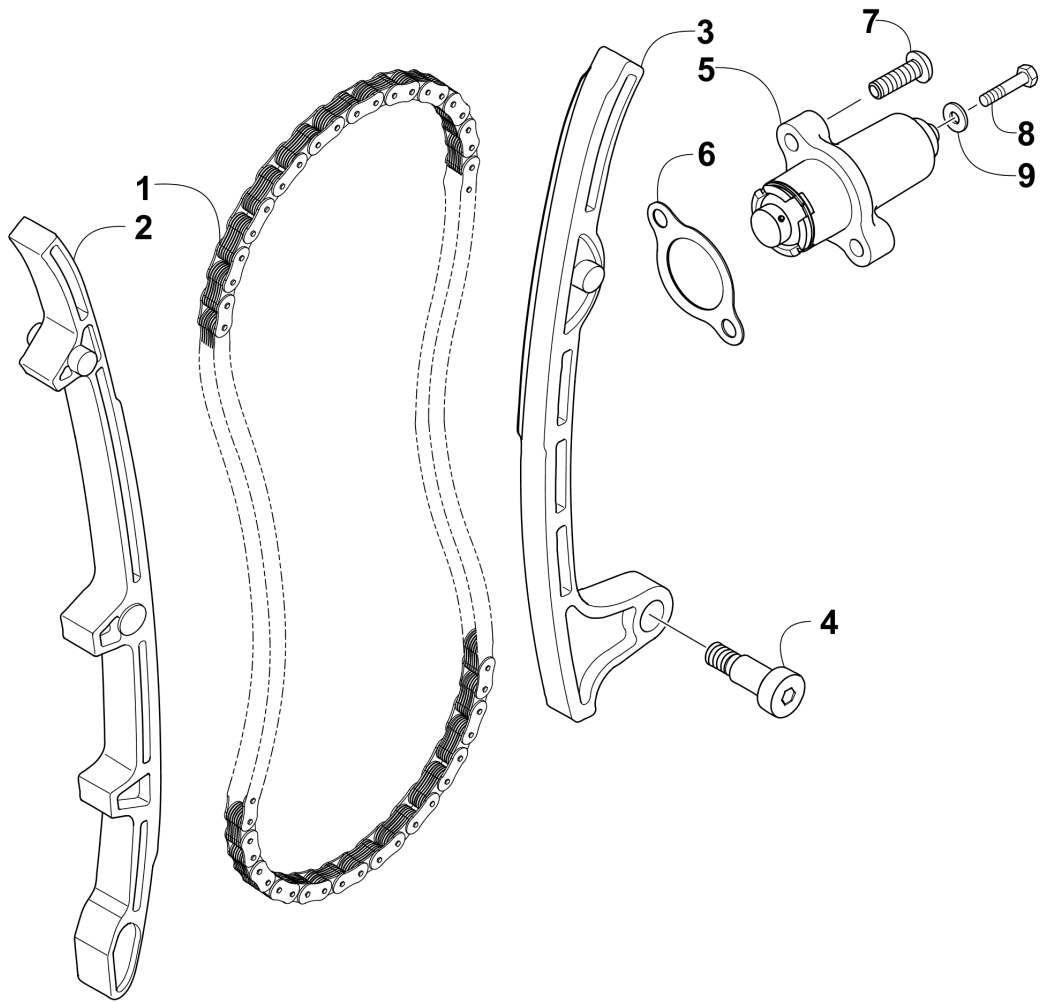
BATTERY AND STARTER MOTOR ASSEMBLY [301205]



Item	Part No.	New Part	Qty	Name	Context	Footnote
1	0445-115		1	Battery	(inc. 2-3)	
2	0645-430		1	Decal, Warning		
3	0445-082		1	Kit, Hardware		
4	0417-022		1	Pad, Battery		
5	4506-730		1	Hold-Down, Battery		
6	8476-616		2	Screw, Machine		
7	0445-106		1	Cable, Battery/Ground		
8	0445-067		1	Boot, Dual Terminal		
9	0445-102		1	Cable, Battery/Solenoid		
10	0645-019		1	Boot, Terminal		
11	0623-038		6	Nut w/Washer		
12	0445-058		1	Solenoid		
13	8476-625		4	Screw, Machine		
14	0445-101		1	Cable, Solenoid/Starter		
15	0825-030		1	Motor, Starter - Assembly	(inc. 16-17)	
16	0412-677		1	Shield, Heat - Starter		
17	0830-228		1	O-Ring		
18	8468-425		2	Screw, Machine		
19	0123-802		2	Washer		
20	0409-064		1	Sensor, Tilt		

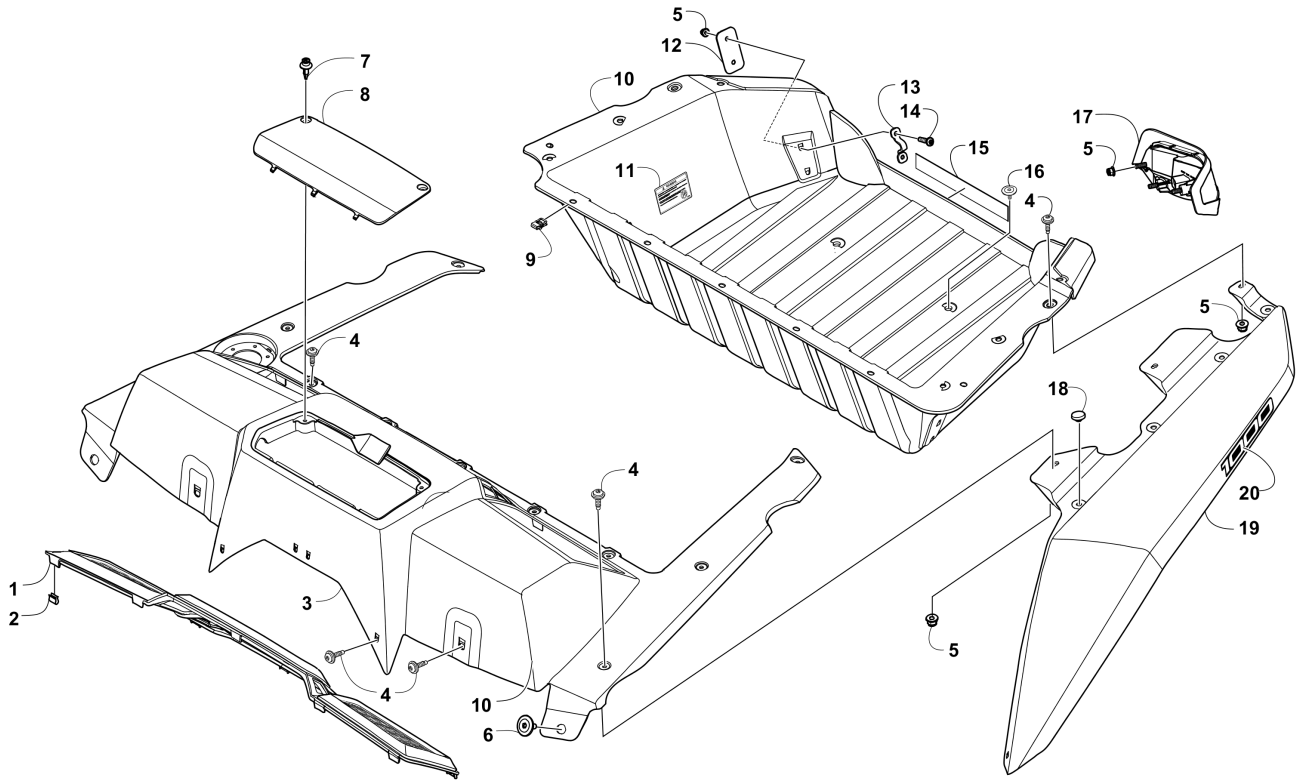
Item	Part No.	New Part	Qty	Name	Context	Footnote
21	0423-493		2	Nut w/Washer		

CAM CHAIN ASSEMBLY [300149]



Item	Part No.	New Part	Qty	Name	Context	Footnote
1	0810-001		2	Chain, Cam		
2	0810-069		2	Guide,Chain		
3	0810-070		2	Guide,Chain Tensioner		
4	0826-106		2	Pivot, Tensioner		
5	0810-004		2	Adjuster, Tensioner - Assembly		
6	0830-018		2	Gasket		
7	8468-625		4	Screw, Machine		
8	8400-610		2	Screw, Cap		
9	0828-129		2	Washer		

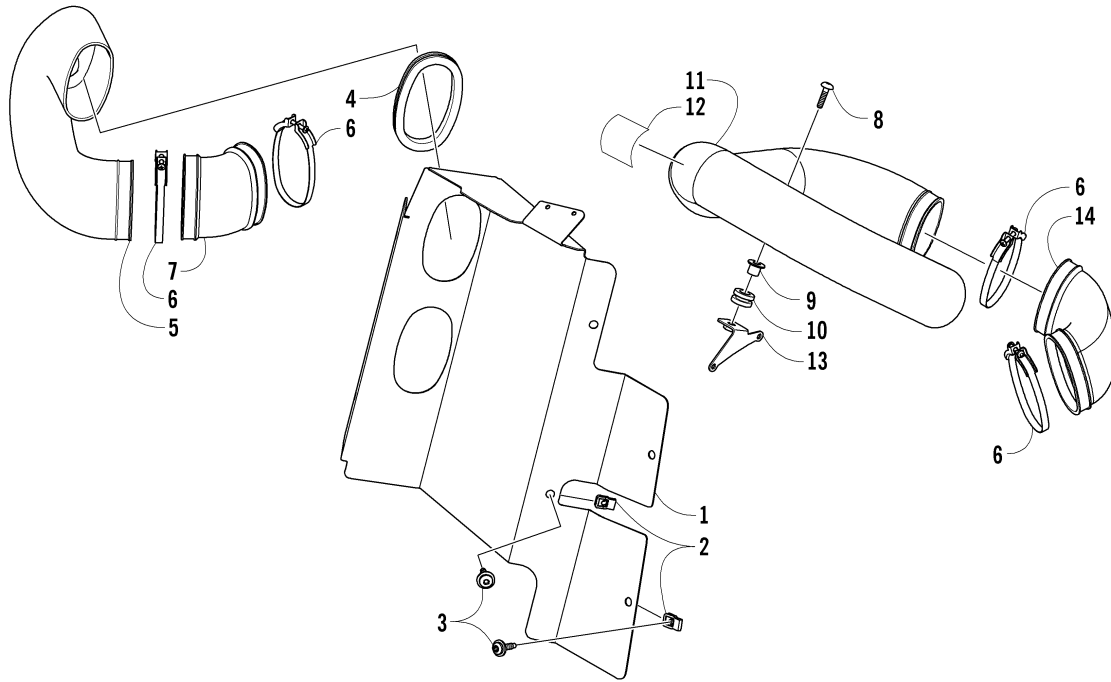
CARGO BOX AND TAILLIGHT ASSEMBLY [301237]



Item	Part No.	New Part	Qty	Name	Context	Footnote
1	2416-956		1	Screen, Vent		
2	0123-987		12	Clip, U		
3	5506-427		1	Panel, Rear Body		
4	0423-609		17	Screw, Machine		
5	8427-602		22	Nut, Lock		
6	1423-107		2	Screw, Shoulder		
7	0423-535		2	Rivet, Reinstallable		
8	2416-825		1	Cover, Access		
9	0423-577		5	Clip		
10	4406-167		1	Box, Cargo	(inc. 11)	
11	4411-791		1	Decal, Warning - Cargo Box		
12	2416-573		4	Plate, Backing		
13	4506-634		4	Bracket, Hold-Down		
14	8468-625		8	Screw, Machine		
15	2411-944		1	Decal, Arctic Cat		
16	1423-109		4	Screw, Self-Tapping		
17	0509-056		1	Taillight - Right		
17	0509-057		1	Taillight - Left		
18	0406-877		4	Bumper		
19	5506-424		1	Fender, Rear - Right - Black		

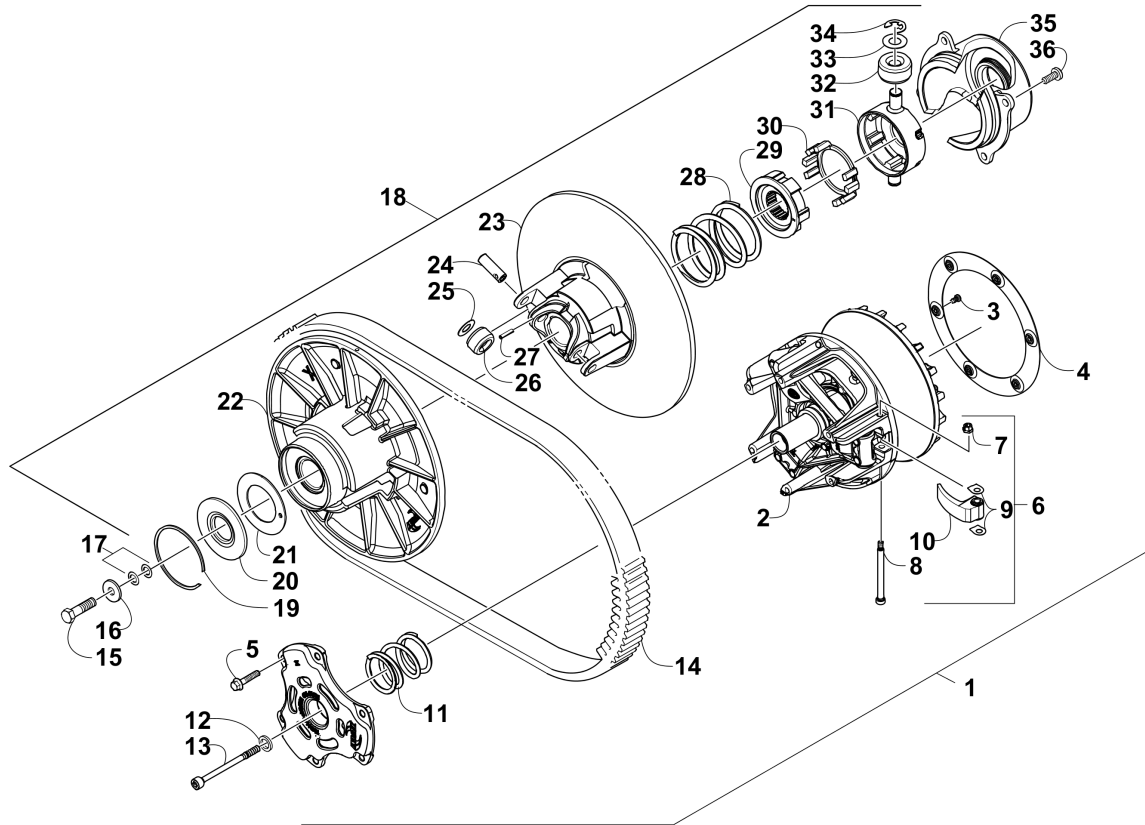
Item	Part No.	New Part	Qty	Name	Context	Footnote
19	5506-425		1	Fender, Rear - Left - Black		
20	5411-133		2	Decal, "1000"		

CASE/BELT COOLING ASSEMBLY [97746]



Item	Part No.	New Part	Qty	Name	Context	Footnote
1	2416-974		1	Shield, Heat		
2	0423-577		6	Clip		
3	0423-609		6	Screw, Machine		
4	0470-945		1	Grommet		
5	0413-295		1	Duct, Air-In		
6	0423-057		4	Clamp		
7	0413-294		1	Boot, Air-In		
8	8476-625		1	Screw, Machine		
9	0423-669		1	Spacer		
10	0423-465		1	Grommet		
11	0513-047		1	Duct, Air-Out	(inc. 12)	
12	0413-307		1	Foil, Protective		
13	2416-818		1	Bracket, Support		
14	0413-296		1	Boot, Air-Out		

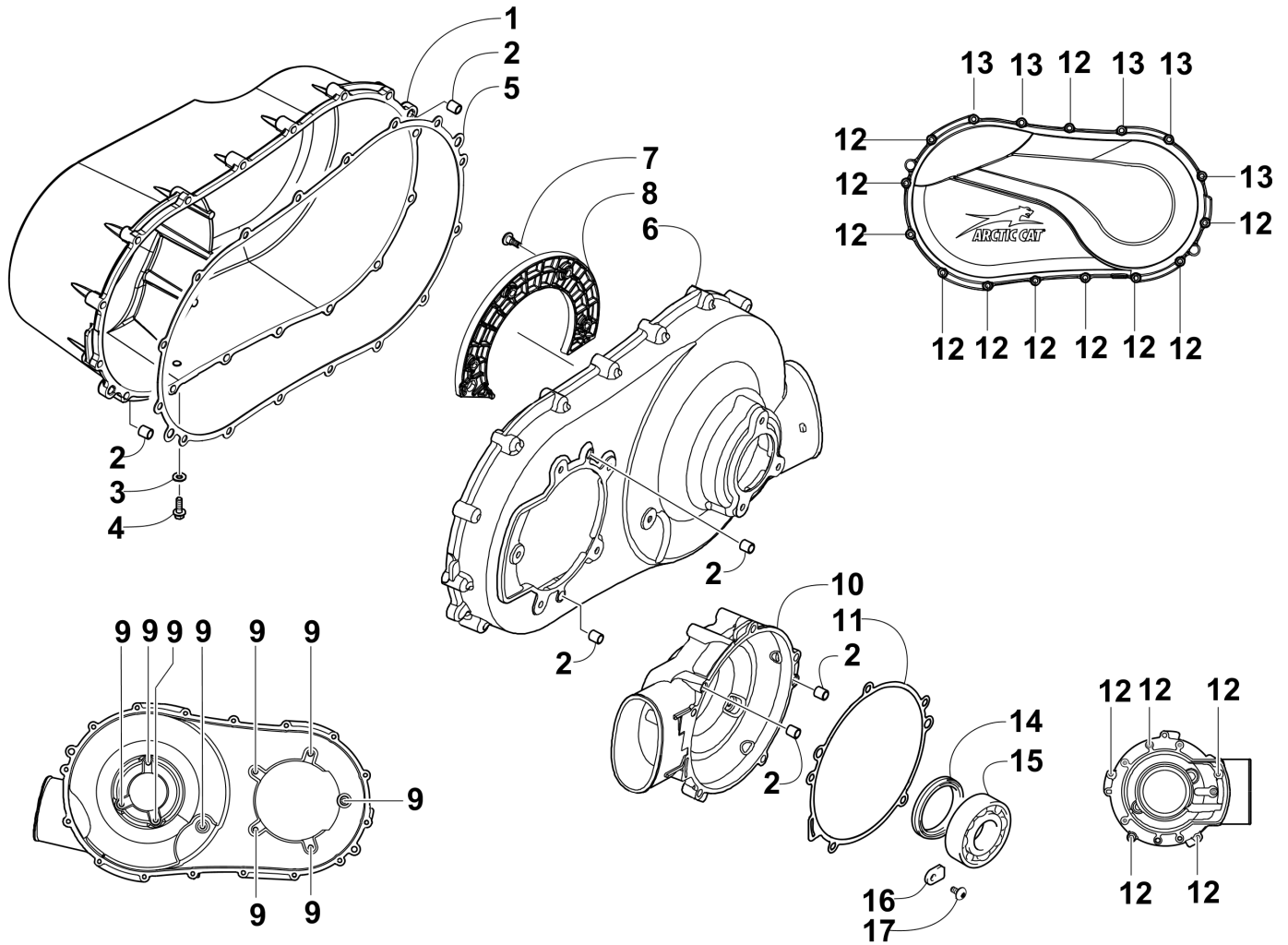
CLUTCH ASSEMBLY [100671]



Item	Part No.	New Part	Qty	Name	Context	Footnote
1	0823-498		1	Clutch, Primary idler - 7.25 in. - Assembly	(inc. 2-11)	
2	0823-499		1	Clutch, Drive - Uncalibrated	(inc. 3-5)	
3	0623-914		6	Screw, Self-Tapping		
4	0823-424		1	Cover, Sheave		
5	0823-402		6	Screw, Cap		
6	0823-426		1	Kit, Cam Arm	(inc. 7-9)	
7	0823-399		3	Nut, Lock		
8	0823-396		3	Pin, Cam Arm		
9	0823-397		6	Washer, Thrust		
10	0823-429		3	Weight, Clutch-69G		
11	0823-500		1	Spring, Drive Clutch - Blk/Silver		
12	1623-649		1	Washer, High Collar		
13	0826-159		1	Bolt, Clutch		
14	0823-496		1	Belt, Drive		
15	0826-158		1	Screw, Cap		
16	0828-133		1	Washer		
17	0828-137		AR	Shim, 12 x 24 x 0.25 mm		
17	0828-134		AR	Shim, 12 x 24 x 0.50 mm		
18	0823-461		1	Clutch, Secondary - Assembly (8.91")	(inc. 19-36)	
19	0823-404		1	Ring, Retaining		

Item	Part No.	New Part	Qty	Name	Context	Footnote
20	0823-405		1	Washer, Thrust		
21	0823-406		1	Shim, 38 x 62 x 1.50 mm		
22	0823-459		1	Sheave, Stationary		
23	0823-460		1	Sheave, Movable		
24	0823-410		2	Pin, Roller		
25	0823-409		2	Washer, Thrust		
26	0823-462		2	Roller		
27	0823-407		2	Pin, Spring		
28	0823-411		1	Spring		
29	0823-412		1	Dampener, Spider Insert		
30	0823-413		1	Dampener, Spider		
31	0823-414		1	Spider		
32	0823-417		2	Roller		
33	0823-416		2	Washer, Thrust		
34	0823-415		2	E-Ring		
35	0823-418		1	Cam, Driven		
36	0823-419		4	Screw, Machine		

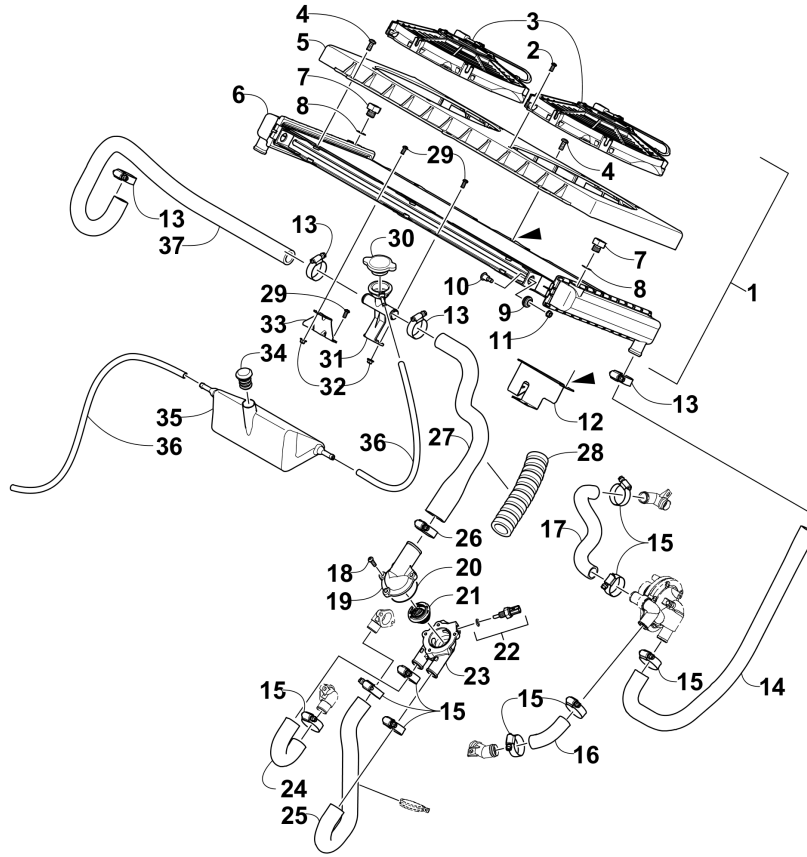
CLUTCH SIDE ENGINE COVERS [100046]



Item	Part No.	New Part	Qty	Name	Context	Footnote
1	0806-129		1	Cover, Outside		
2	0829-062		6	Pin, Dowel		
3	0830-013		1	Washer, Crush		
4	8408-812		1	Screw, Cap		
5	0830-137		1	Gasket, Cover		
6	0806-168		1	Cover, Inner Clutch		
7	0423-355		4	Screw, Shoulder		
8	0823-422		1	Plate, Windage		
9	8468-617		9	Screw, Machine		
10	0806-159		1	Cover, Clutch		
11	0830-218		1	Gasket, Clutch Cover		
12	8468-630		16	Screw, Machine		
13	8468-640		5	Screw, Machine		
14	0832-096		1	Seal		
15	0832-043		1	Bearing		

Item	Part No.	New Part	Qty	Name	Context	Footnote
16	0822-010		2	Retainer, Bearing		
17	0826-029		2	Screw, Machine		

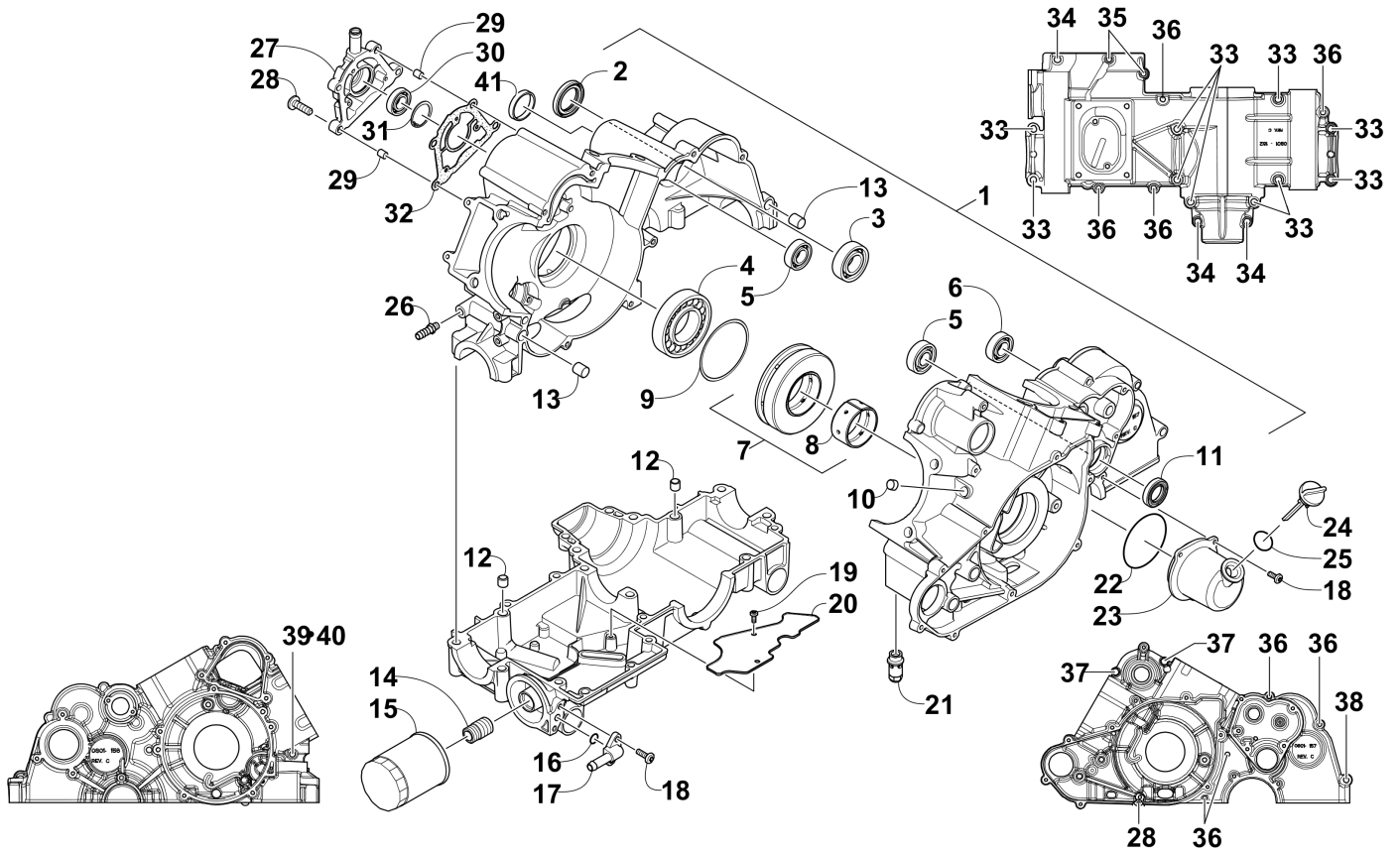
COOLING ASSEMBLY [300144]



Item	Part No.	New Part	Qty	Name	Context	Footnote
1	0413-278		1	Radiator Assembly	(inc. 2-9)	
2	8470-510		8	Screw, Machine		
3	0413-123		2	Fan, Radiator		
4	8017-579		6	Screw, Machine		
5	0413-292		1	Shroud, Fan		
6	0413-293		1	Radiator		
7	0413-195		2	Plug, Radiator		
8	1602-213		2	O-Ring		
9	0423-030		4	Grommet		
10	0423-484		4	Screw, Shoulder		
11	0623-038		4	Nut w/Washer		
12	2416-966		1	Bracket, Mounting - Coil		
13	0423-632		4	Clamp, Hose		
14	0410-300		1	Hose, Coolant - Radiator/Water Pump		
15	0423-496		9	Clamp, Hose		
16	0410-115		1	Hose, Coolant - Crossover		
17	0410-116		1	Hose, Coolant		
18	8470-520		4	Screw, Machine		
19	0808-092		1	Cover, Thermostat		
20	0830-173		1	O-Ring		

Item	Part No.	New Part	Qty	Name	Context	Footnote
21	0808-093		1	Thermostat		
22	0808-124		1	Sensor, Engine Coolant Temperature		
23	0808-189		1	Housing, Thermostat		
24	0410-191		1	Hose, Coolant - Front Cylinder Head/Thermostat		
25	0410-253		1	Hose, Coolant - Rear Cylinder Head/Thermostat		
26	1623-093		1	Clamp, Hose		
27	0410-239		1	Hose, Coolant - Thermostat/Filler Neck		
28	1619-038		1	Conduit, Flexible		
29	8475-512		8	Screw, Machine		
30	0413-255		1	Cap, Radiator		
31	0413-280		1	Neck, Filler		
32	8427-502		6	Nut, Lock		
33	2416-976		1	Bracket, Mounting - Overflow Bottle		
34	0413-087		1	Plug		
35	0413-300		1	Bottle, Overflow		
36	0610-011		AR	Hose - 25 ft		
37	0410-237		1	Hose, Coolant - Filler Neck/Radiator		

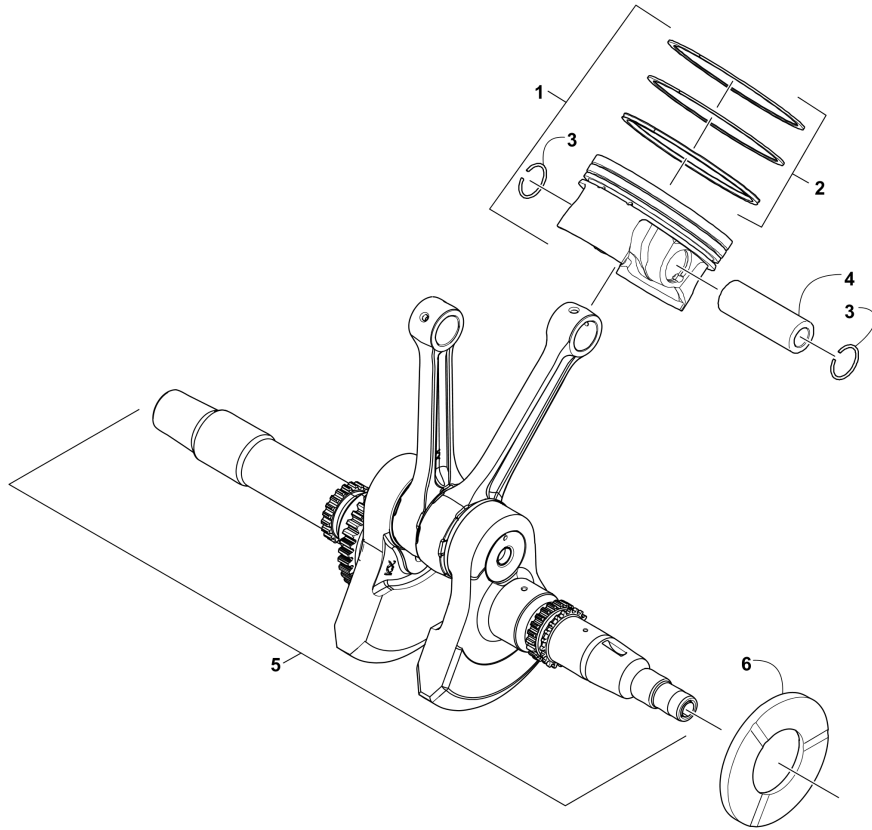
CRANKCASE ASSEMBLY [300150]



Item	Part No.	New Part	Qty	Name	Context	Footnote
1	0801-222		1	Crankcase, Assembly w/Bearings	(inc. 2-14)	
2	0830-035		1	Seal, Driveshaft		
3	0832-048		1	Bearing		
4	0832-042		1	Bearing		
5	0832-050		2	Bearing		
6	0832-049		1	Bearing		
7	0832-055		1	Bearing - Assembly	(inc. 8)	
8	0832-057		1	Bearing		
9	0830-221		1	O-Ring		
10	0801-002		1	Plug		
11	0822-052		1	Seal, Countershaft		
12	0829-003		2	Pin, Dowel		
13	0829-002		2	Pin, Dowel		
14	0812-066		1	Union, Oil Filter		
15	0812-034		1	Filter, Oil		
16	0830-172		1	O-Ring		
17	0812-060		1	Fitting, Oil		
18	8468-616		5	Screw, Machine		
19	0623-914		2	Screw, Self-Tapping		
20	0801-218		1	Plate, Oil Sump		

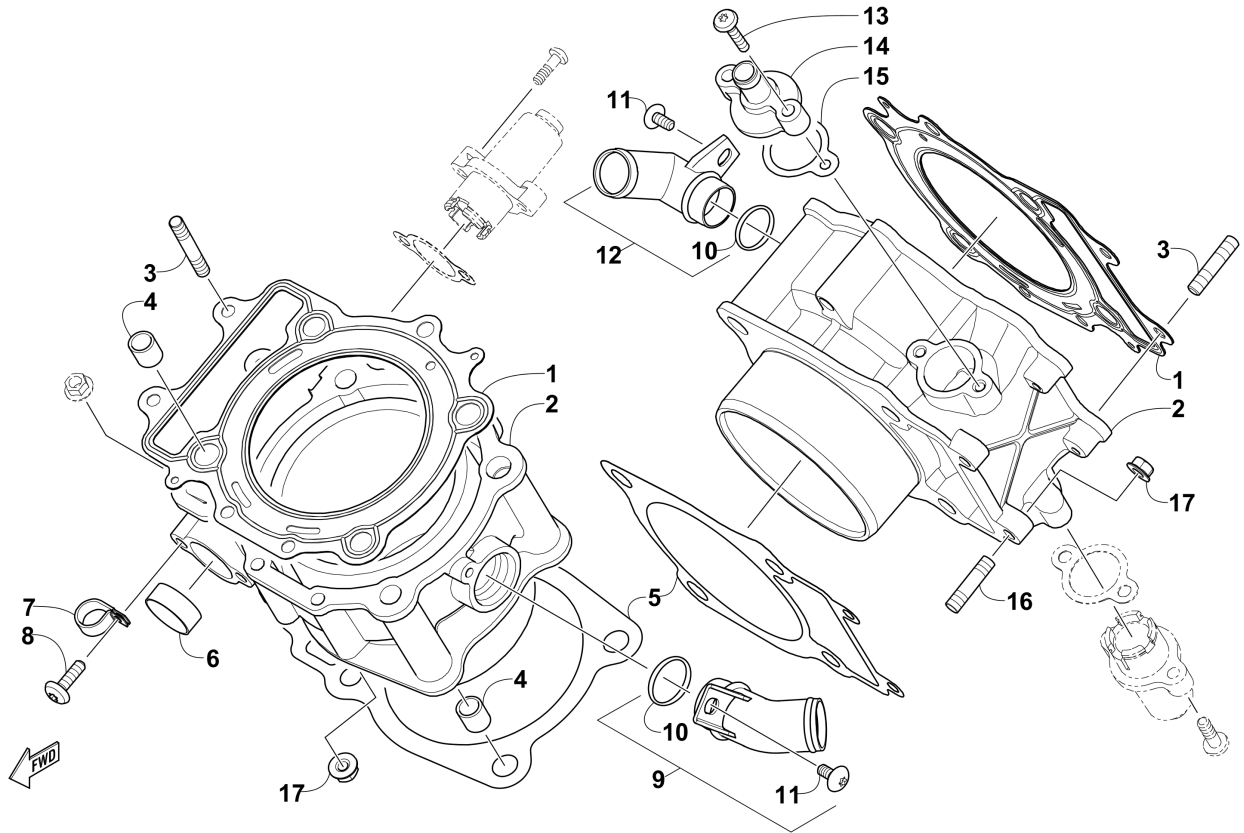
Item	Part No.	New Part	Qty	Name	Context	Footnote
21	0812-052		1	Valve, Oil-Relief - Assembly		
22	0830-162		1	O-Ring, Oil Filler Cover		
23	0812-081		1	Cover, Oil Filler		
24	0801-073		1	Stick, Oil Level		
25	0830-010		1	O-Ring		
26	0812-078		1	Fitting, Oil - Threaded		
27	0801-193		1	Cover, Breather		
28	8468-625		5	Screw, Machine		
29	0829-062		2	Pin, Dowel		
30	0832-084		1	Bearing		
31	0831-086		1	Circlip		
32	0830-191		1	Gasket, Breather		
33	8412-860		10	Screw, Cap		
34	8412-830		3	Screw, Cap		
35	8468-640		2	Screw, Machine		
36	8468-660		8	Screw, Machine		
37	8468-630		2	Screw, Machine		
38	8412-875		1	Screw, Cap		
39	8412-850		1	Screw, Cap		
40	0830-008		1	Gasket		
41	0818-103		1	Plug		

CRANKSHAFT AND PISTON ASSEMBLY [301348]



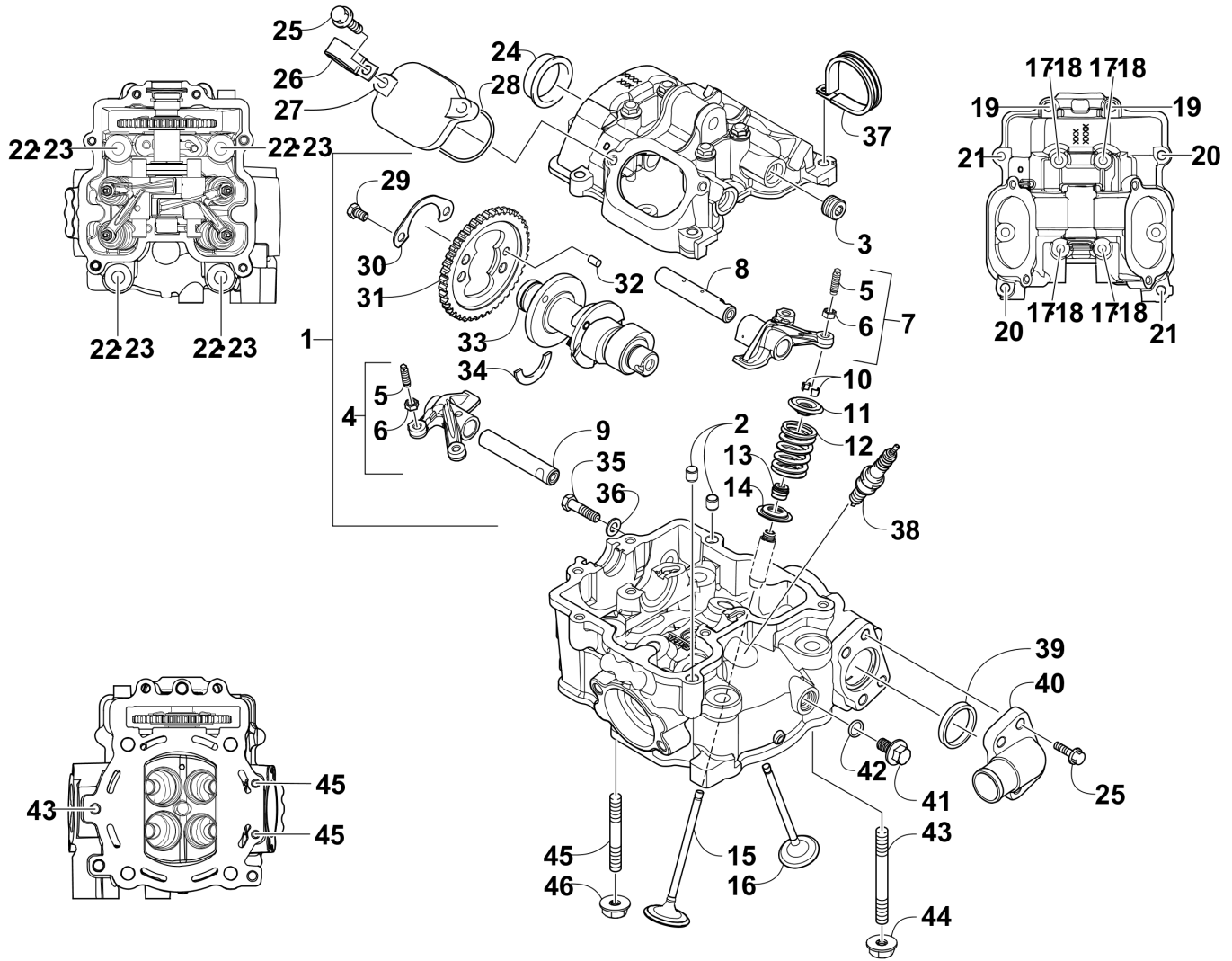
Item	Part No.	New Part	Qty	Name	Context	Footnote
1	0805-362		2	Piston Set - Assembly	(inc. 2-4)	
2	0805-164		2	Ring, Piston - Set		
3	0805-199		4	Circlip, Piston Pin		
4	0805-198		2	Pin, Piston		
5	0805-339		1	Crankshaft - Assembly		
6	0805-273		1	Washer, Thrust		

CYLINDER ASSEMBLY [300147]



Item	Part No.	New Part	Qty	Name	Context	Footnote
1	0830-209		2	Gasket, Head		
2	0804-061		2	Cylinder		
3	0827-002		4	Bolt, Stud		
4	0829-002		8	Pin, Dowel		
5	0830-193		2	Gasket, Base		
6	0804-037		1	Plug, Cylinder		
7	1623-675		1	Clamp		
8	8468-612		1	Screw, Machine		
9	0804-068		1	Union, Coolant Hose - Assembly	(inc. 10-11)	
10	0830-007		2	O-Ring		
11	8468-616		2	Screw, Machine		
12	0804-069		1	Union, Coolant Hose - Assembly	(inc. 10-11)	
13	8468-620		2	Screw, Machine		
14	0801-174		1	Cover, Breather		
15	0830-018		1	Gasket		
16	0827-018		4	Bolt, Stud		
17	8424-604		8	Nut		

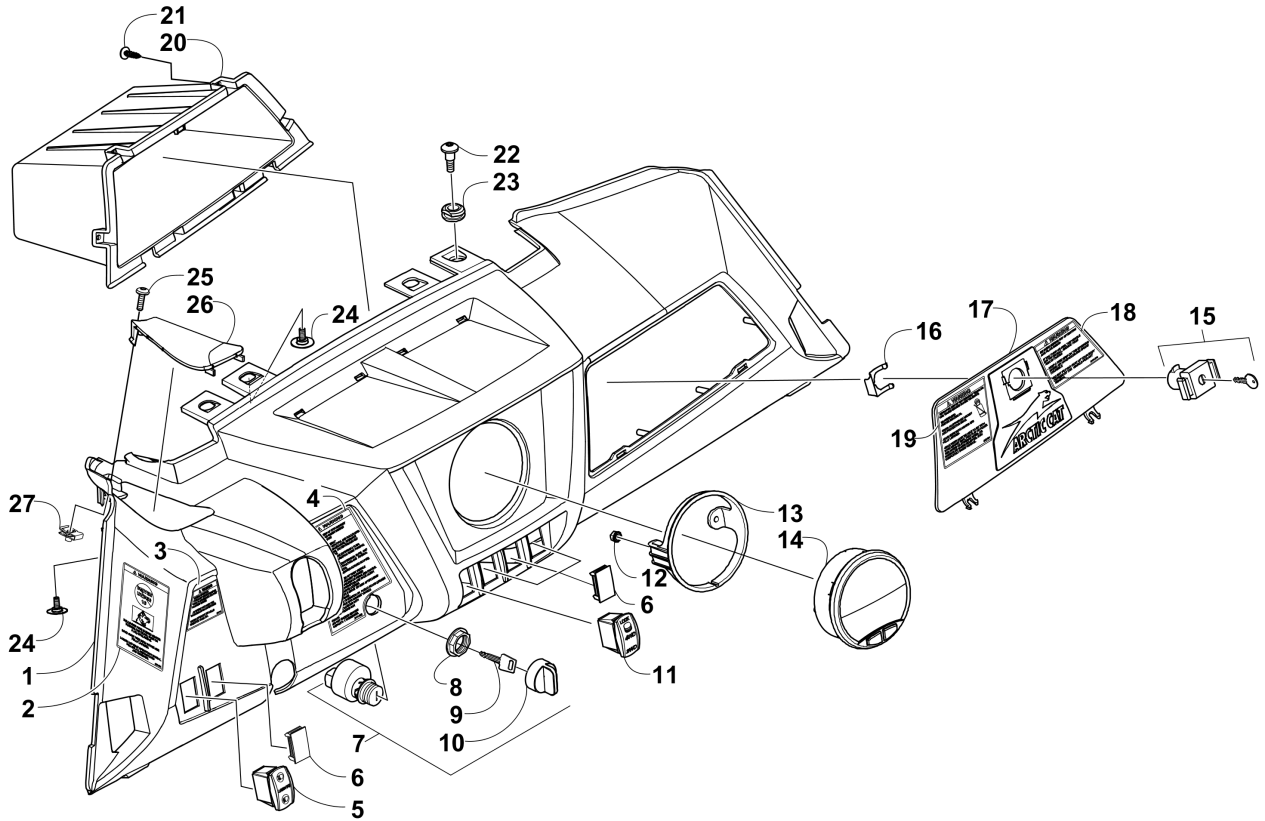
CYLINDER HEAD AND CAMSHAFT/VALVE ASSEMBLY [100543]



Item	Part No.	New Part	Qty	Name	Context	Footnote
1	0808-227		2	Cylinder Head - Assembly	(inc. 2-17)	
2	0829-062		4	Pin, Dowel		
3	0831-092		4	Plug, Shaft		
4	0809-319		2	Arm, Valve Rocker - Exhaust	(inc. two No. 5-6)	
5	0809-240		8	Screw, Adjuster		
6	0827-059		8	Nut		
7	0809-318		2	Arm, Valve Rocker - Intake	(inc. two No. 5-6)	
8	0809-241		2	Shaft, Rocker Arm - Intake		
9	0809-242		2	Shaft, Rocker Arm - Exhaust		
10	0809-233		16	Cotter, Valve		
11	0809-232		8	Retainer, Spring		
12	0809-231		8	Spring, Valve		
13	0830-186		8	Seal, Oil		
14	0809-230		8	Seat, Spring - Valve		
15	0809-228		4	Valve, Intake		

Item	Part No.	New Part	Qty	Name	Context	Footnote
16	0809-229		4	Valve, Exhaust		
17	0826-149		8	Screw, Cap		
18	0830-155		8	Gasket		
19	0826-002		5	Screw, Cap		
20	0826-005		4	Screw, Cap		
21	0826-006		3	Screw, Cap		
22	0808-090		8	Screw, Cap		
23	0830-147		8	Washer		
24	0808-077		2	Plug, Cylinder Head		
25	0826-007		12	Screw, Cap		
26	1623-675		1	Clamp		
27	0808-003		4	Cap, Inspection		
28	0830-004		4	O-Ring		
29	0826-034		4	Screw, Cap		
30	0828-004		2	Plate, Retainer		
31	0809-212		2	Sprocket		
32	0829-049		2	Pin, Dowel		
33	0809-313		1	Camshaft, Front Cylinder		
33	0809-314		1	Camshaft, Rear Cylinder		
34	0809-003		2	C-Ring		
35	8400-812		2	Screw, Cap		
36	0830-025		2	Washer, Crush		
37	0623-761		1	Clamp, Routing		
38	0217-799		2	Spark Plug - CPR8E		
39	0830-120		2	Seal		
40	0808-210		2	Cover, Thermostat		
41	0826-157		2	Screw, Cap		
42	0830-213		2	O-Ring		
43	0827-069		2	Bolt, Stud		
44	8424-804		2	Nut		
45	0827-068		4	Bolt, Stud		
46	8424-604		4	Nut		

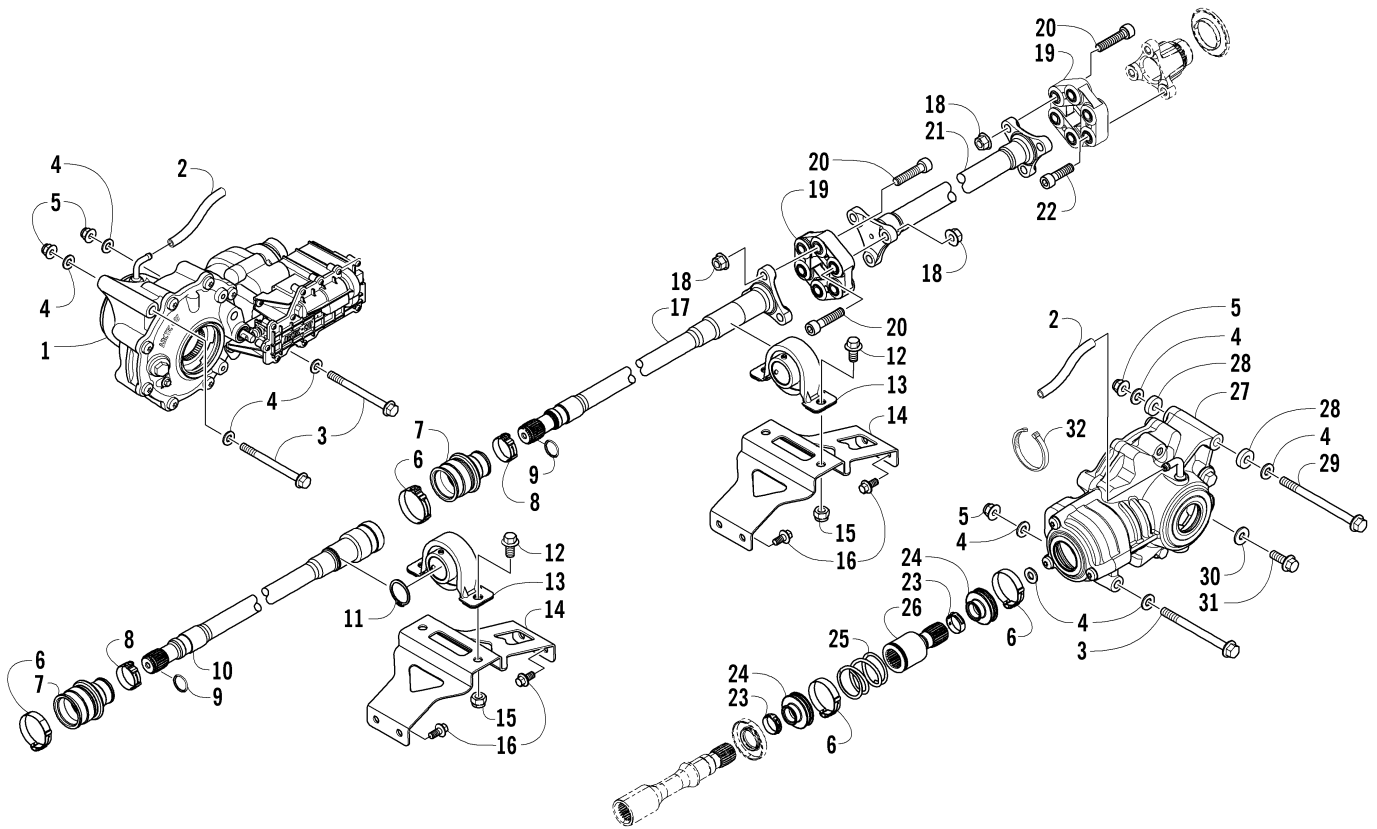
DASH ASSEMBLY [301195]



Item	Part No.	New Part	Qty	Name	Context	Footnote
1	5506-268		1	Panel, Dash	(inc. 2-4)	
2	3411-259		1	Decal, Warning - Age		
3	2411-893		1	Decal, Warning - Dash - Left		
4	3411-258		1	Decal, Warning - Dash - Right		
5	0409-149		1	Switch, Light		
6	0409-070		3	Plug, Switch Hole		
7	0609-936		1	Switch, Ignition	(inc. 8-10)	
8	0430-050		1	Nut, Retaining		
9	0430-042		1	Key, Ignition		
9	0430-043		1	Key, Ignition		
10	0630-324		1	Cover, Key		
11	0409-148		1	Switch, 2WD/4WD/Differential Lock		
12	0423-493		2	Nut w/Washer		
13	0620-322		1	Bracket, Retaining		
14	0520-249		1	Gauge, Analog/LCD		
15	2416-985		1	Latch, Glove Box		
16	2416-984		1	Clip, Retainer		
17	5506-191		1	Door, Glove Box - w/Decals	(inc. 18-19)	
18	2411-970		1	Decal, Warning - Occupant - Right		
19	4411-789		1	Decal, Warning - Occupant - Left		

Item	Part No.	New Part	Qty	Name	Context	Footnote
20	2416-842		1	Box, Glove		
21	0423-342		6	Screw, Self-Tapping		
22	0423-356		2	Screw, Shoulder		
23	1423-104		2	Grommet		
24	1423-133		4	Screw, Shoulder		
25	8477-620		1	Screw, Self-Tapping		
26	2416-840		1	Panel, Access - Master Cylinder		
27	0423-577		3	Clip		

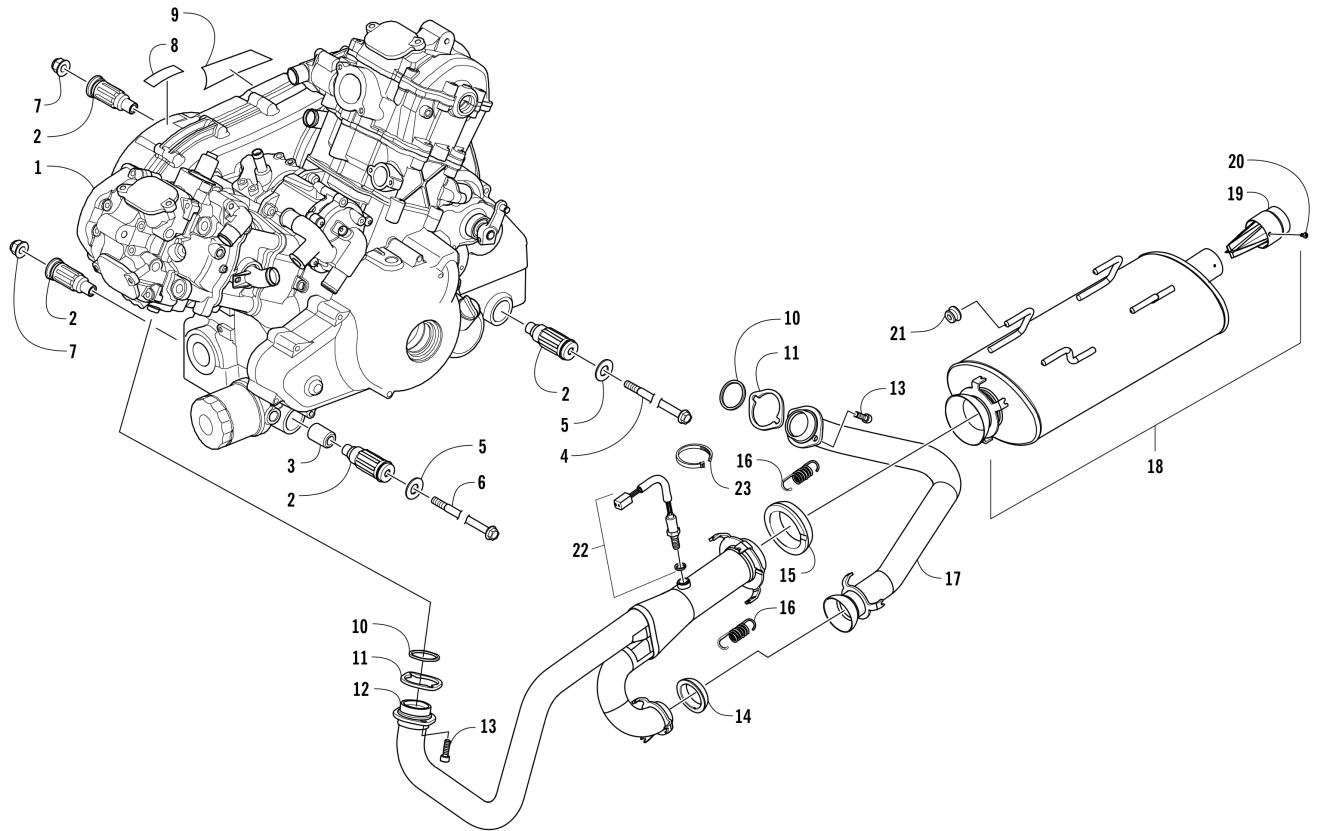
DRIVE TRAIN ASSEMBLY [100038]



Item	Part No.	New Part	Qty	Name	Context	Footnote
1	2502-082		1	Gearcase, Front		
2	0410-070		AR	Hose - 25 ft		
3	0423-404		3	Screw, Cap		
4	0423-426		9	Washer		
5	8428-002		4	Nut, Lock		
6	0423-393		4	Clamp		
7	0402-985		2	Boot		
8	0423-411		2	Clamp		
9	1423-090		2	O-Ring		
10	2402-090		1	Driveshaft, Front		
11	1423-175		1	Ring, Retaining		
12	8408-020		4	Screw, Cap		
13	1402-968		2	Bearing		
14	2502-019		2	Bracket, Mounting - Bearing Assembly		
15	8422-002		4	Nut, Lock		
16	8408-816		8	Screw, Cap		
17	2402-091		1	Driveshaft, Center Front		
18	0423-157		9	Nut		
19	2402-014		2	Isolator, Driveshaft		
20	1423-094		9	Screw, Cap		

Item	Part No.	New Part	Qty	Name	Context	Footnote
21	2402-056		1	Driveshaft, Center Rear		
22	1423-093		3	Screw, Cap		
23	1423-061		2	Clamp		
24	1402-951		2	Boot		
25	1402-026		1	Spring		
26	2402-134		1	Coupler, Drive		
27	2502-083		1	Gearcase, Rear - Assembly		
28	1423-062		2	Spacer		
29	0423-576		1	Screw, Cap		
30	8050-252		1	Washer		
31	8408-826		1	Screw, Cap		
32	0123-788		AR	Tie, Cable - 8 in.		
32	0123-903		AR	Tie, Cable - 11.5 in.		

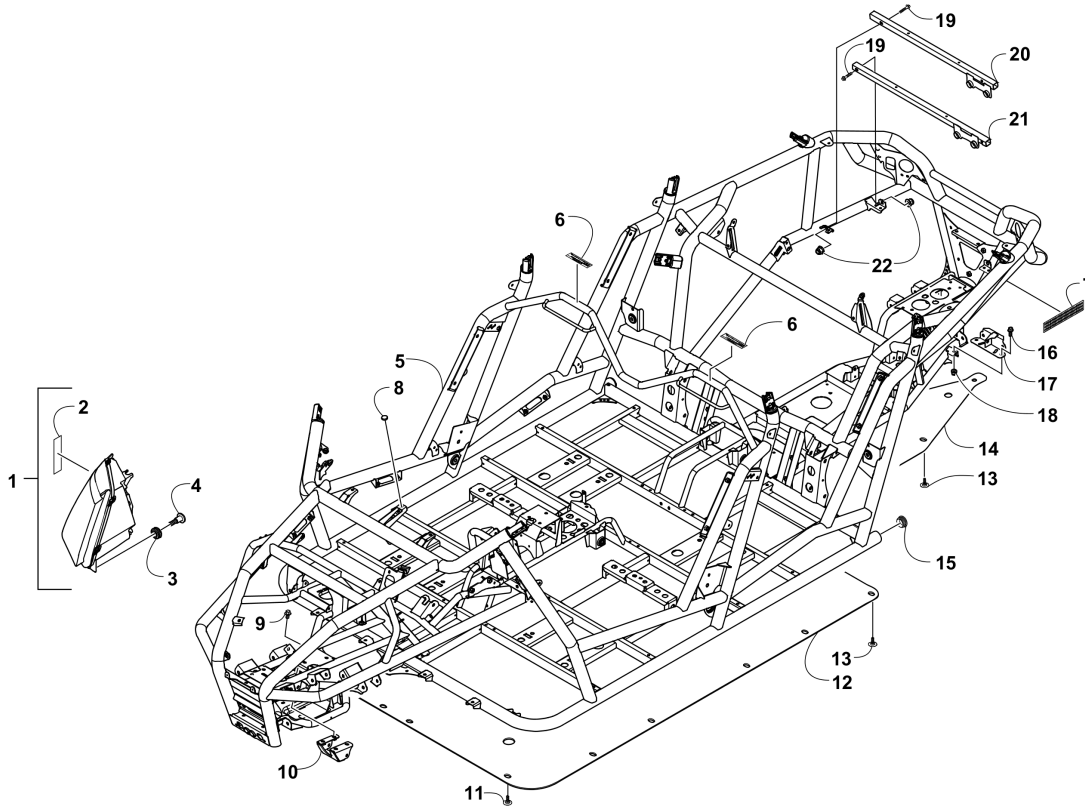
ENGINE AND EXHAUST [301021]



Item	Part No.	New Part	Qty	Name	Context	Footnote
1	0800-191		1	Engine, A950Q	(inc. 2-3)	
2	0801-091		4	Mount, Engine		
3	0801-128		1	Spacer, Engine Mount		
4	0423-451		1	Screw, Cap		
5	0423-426		2	Washer		
6	0423-734		1	Screw, Cap		
7	8428-002		2	Nut, Lock		
8	0411-426		1	Decal, Warning		
9	3411-555		1	Decal, "Rapid Response"		
10	0412-338		2	Gasket, Exhaust		
11	0412-636		2	Spacer, Exhaust Pipe		
12	0512-810		1	Pipe, Exhaust - Front		
13	1423-300		4	Screw, Cap		
14	0412-375		1	Seal, Exhaust		
15	2612-615		1	Seal, Exhaust Pipe		
16	0612-668		7	Spring		
17	0512-811		1	Pipe, Exhaust - Rear		
18	0512-836		1	Muffler Assembly	(inc. 19-20)	
19	0512-832		1	Arrester, Spark		
20	1423-323		1	Screw, Self-Tapping		

Item	Part No.	New Part	Qty	Name	Context	Footnote
21	0412-544		4	Bushing		
22	0630-302		1	Sensor, Oxygen		
23	0123-811		1	Tie, Cable - 4 in.		

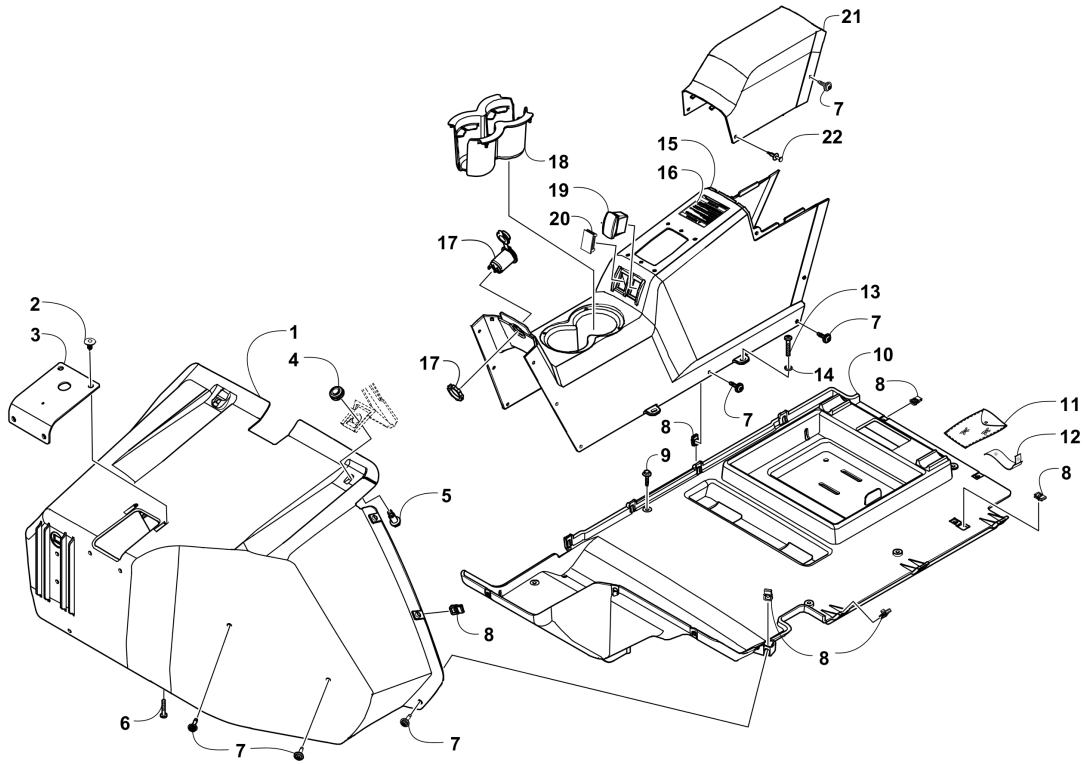
FRAME, HEADLIGHTS, AND RELATED PARTS [301197]



Item	Part No.	New Part	Qty	Name	Context	Footnote
1	0509-064		1	Headlight Assembly - Right	(inc. 2)	
1	0509-065		1	Headlight Assembly - Left	(inc. 2)	
2	2411-972		1	Decal, Reflector - Right - Amber		
2	2411-973		1	Decal, Reflector - Left - Amber		
3	1423-104		6	Grommet		
4	0423-356		6	Screw, Shoulder		
5	7506-006		1	Frame, Main	(inc. 6-7)	
6	3411-253		2	Decal, Warning - Rear Passenger		
7	2411-974		2	Decal, Reflector - Red		
8	0406-877		1	Bumper		
9	8409-018		4	Screw, Cap		
10	4506-703		1	Bracket, Support - Front Gearcase		
11	0423-101		2	Screw, Shoulder		
12	4506-843		1	Plate, Skid - Front		
13	1423-109		29	Screw, Self-Tapping		
14	4506-407		1	Plate, Skid - Rear		
15	2416-962		2	Plug, Hole		
16	8409-025		2	Screw, Cap		
17	4506-637		1	Bracket, Support - Rear Gearcase		
18	8428-002		2	Nut, Lock		

Item	Part No.	New Part	Qty	Name	Context	Footnote
19	8408-845		4	Screw, Cap		
20	4506-680		1	Tube, Support - Front		
21	4506-682		1	Tube, Support - Rear		
22	8427-802		4	Nut, Lock		

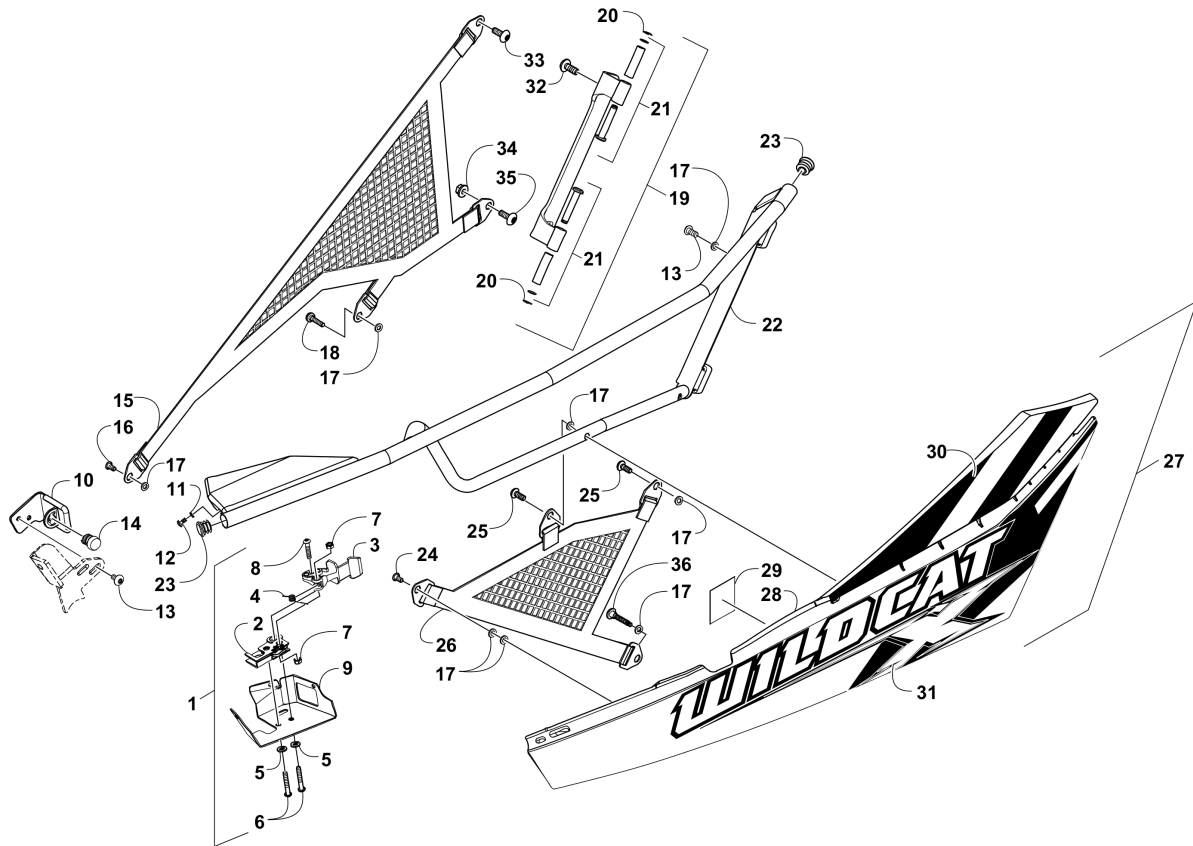
FRONT CONSOLE AND FLOOR PANEL ASSEMBLY [300776]



Item	Part No.	New Part	Qty	Name	Context	Footnote
1	2416-592		1	Panel, Fender - Inner Right		
1	2416-593		1	Panel, Fender - Inner Left		
2	0623-544		4	Plug		
3	2416-983		1	Panel, Filler - Brake Pedal		
4	1423-104		4	Grommet		
5	1423-125		4	Screw, Shoulder		
6	1423-083		4	Screw, Self-Tapping		
7	0423-609		20	Screw, Machine		
8	0423-577		38	Clip		
9	1423-142		8	Screw, Cap - w/Washer		
10	2416-516		1	Panel, Floor - Right		
10	2416-517		1	Panel, Floor - Left		
11	2516-863		1	Kit, Tool		
12	0707-582		1	Retainer, Velcro		
13	8468-635		4	Screw, Machine		
14	8050-223		4	Washer, Flat		
15	7506-083		1	Console, Center - w/Decals	(inc. 16)	
16	3411-262		1	Decal, Warning - Reverse		
17	0641-897		1	Outlet, Accessory - 12V		
18	2416-109		1	Insert, Cupholder		

Item	Part No.	New Part	Qty	Name	Context	Footnote
19	0409-071		1	Switch, Reverse Override		
20	0409-070		2	Plug, Switch Hole		
21	2416-841		1	Cover, Access - Battery		
22	0623-362		2	Rivet, Reinstallable		

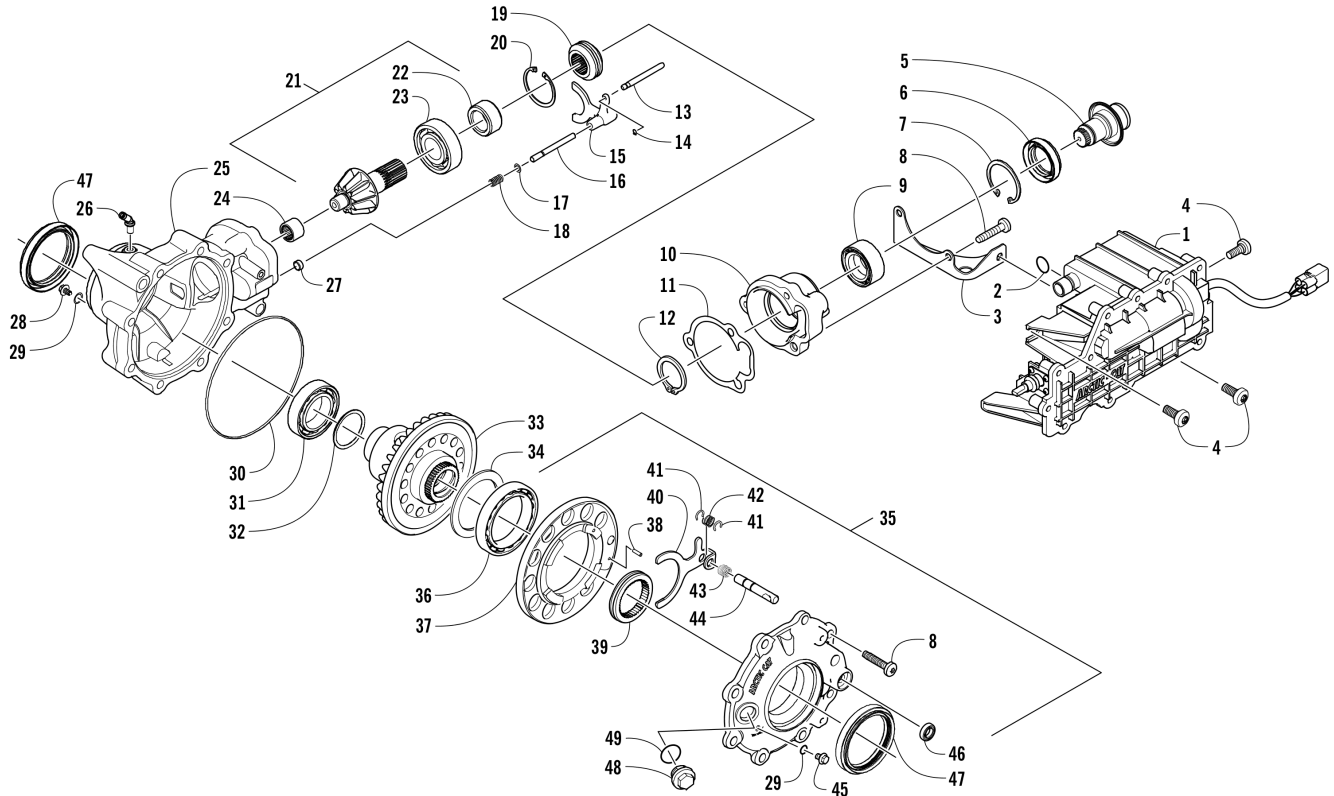
FRONT DOOR ASSEMBLY [301199]



Item	Part No.	New Part	Qty	Name	Context	Footnote
1	2436-266		1	Latch, Right - Assembly	(inc. 2-9)	
1	2436-267		1	Latch, Left - Assembly	(inc. 2-9)	
2	4406-908		1	Latch, Rotary - Right		
2	4406-909		1	Latch, Rotary - Left		
3	4406-999		2	Handle, Door		
4	1423-235		2	Spring		
5	1423-120		4	Washer		
6	1423-232		4	Screw, Machine		
7	1423-153		4	Nut, Lock		
8	1423-231		2	Screw		
9	4406-796		1	Bracket, Door Latch - Right		
9	4406-797		1	Bracket, Door Latch - Left		
10	4406-792		1	Plate, Striker - Right		
10	4406-793		1	Plate, Striker - Left		
11	1423-283		6	Washer, Lock		
12	1423-282		6	Screw, Cap		
13	1423-113		4	Screw, Machine		
14	4406-419		2	Bumper, Door Stopper		
15	4406-304		2	Net, Fabric - Upper		
16	1423-157		2	Screw, Shoulder		

Item	Part No.	New Part	Qty	Name	Context	Footnote
17	1423-152		16	Washer		
18	1423-186		2	Screw, Shoulder		
19	1436-476		1	Hinge, Door - Assembly - Right	(inc. 20-21)	
19	1436-454		1	Hinge, Door - Assembly - Left	(inc. 20-21)	
20	1423-118		4	Circlip		
21	0518-096		4	Kit, Hinge Pin		
22	5506-930		1	Frame, Door - Right		
22	5506-931		1	Frame, Door - Left		
23	4406-013		4	Plug, Hole		
24	1423-196		2	Screw, Shoulder		
25	1423-197		4	Screw, Shoulder		
26	4406-305		2	Net, Restraint - Lower		
27	0518-256	X	1	Door w/Decals - Right	(inc. 28 and 30-31)	
27	0518-257	X	1	Door w/Decals - Left	(inc. 28-31)	
28	4406-788		1	Door w/o Decals - Right - Black		
28	0518-243		1	Door w/o Decals - Left - Black	(inc. 29)	
29	4411-105		1	Decal, Warning - Tire Pressure		
30	5411-192		1	Decal, Door - Upper - Right		
30	5411-193		1	Decal, Door - Upper - Left		
31	5411-190		1	Decal, Door - Lower - Right		
31	5411-191		1	Decal, Door - Lower - Left		
32	0423-817		4	Screw, Machine		
33	0423-355		4	Screw, Shoulder		
34	8427-602		2	Nut, Lock		
35	0826-029		4	Screw, Machine		
36	1423-205		2	Screw, Shoulder		

FRONT DRIVE GEARCASE ASSEMBLY [301030]

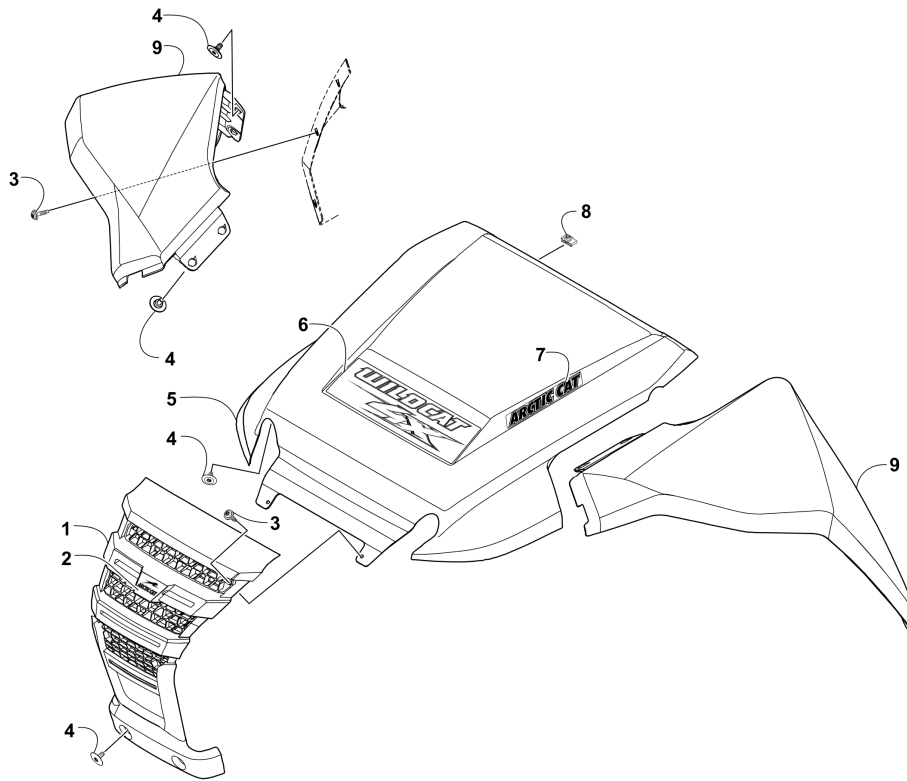


Item	Part No.	New Part	Qty	Name	Context	Footnote
-	2502-082		1	Gearcase, Front		
1	2502-194		1	Actuator	(inc. 2)	
2	1402-981		2	O-Ring		
3	1502-237		1	Bracket, Actuator		
4	0423-396		3	Screw, Self-Tapping		
5	1502-085		1	Shaft, Input		
6	1402-011		1	Seal		
7	0423-423		1	Ring, Retaining		
8	0423-118		11	Screw, Self-Tapping		
9	1402-043		1	Bearing		
10	0502-528		1	Housing, Pinion		
11	0402-947		1	Gasket, Flange		
12	0423-417		1	Ring, Retaining		
13	0402-997		1	Shaft, Selector		
14	0423-402		1	Ring, Retaining		
15	0402-998		1	Fork, Selector		
16	0402-417		1	Shaft, Shuttle		
17	0423-147		1	O-Ring		
18	0402-999		1	Spring, Return		

Item	Part No.	New Part	Qty	Name	Context	Footnote
19	0402-413		1	Coupler, Drive		
20	1423-067		1	Ring, Retaining		
21	1502-851		1	Gear, Pinion - Assembly - 11T	(inc. 22-23)	
22	1402-977		1	Collar, Retaining		
23	0402-327		1	Bearing		
24	0402-328		1	Bearing		
25	1502-856		1	Housing, Gearcase		
26	2402-162		1	Fitting, Elbow		
27	0402-411		1	Pin, Dowel		
28	1402-210		1	Plug, Magnetic	(inc. one No. 29)	
29	0423-153		2	O-Ring		
30	0423-149		1	O-Ring		
31	0402-393		1	Bearing		
32	0402-405		AR	Shim, 41 x 49 x 1.3 mm		
32	0402-406		AR	Shim, 41 x 49 x 1.4 mm		
32	0402-407		AR	Shim, 41 x 49 x 1.5 mm		
32	0402-408		AR	Shim, 41 x 49 x 1.6 mm		
32	0402-409		AR	Shim, 41 x 49 x 1.7 mm		
33	1502-919		1	Gear, Ring - 34T		
34	1402-074		AR	Shim, 61 x 69 x 1.3 mm		
34	1402-075		AR	Shim, 61 x 69 x 1.4 mm		
34	1402-076		AR	Shim, 61 x 69 x 1.5 mm		
34	1402-077		AR	Shim, 61 x 69 x 1.6 mm		
34	1402-078		AR	Shim, 61 x 69 x 1.7 mm		
35	2502-286		1	Cover, Gearcase	(inc. one No. 29, 36-46, and one No. 47)	
36	1402-053		1	Bearing		
37	0502-413		1	Flange, Bearing		
38	1402-079		1	Pin, Parallel		
39	1402-042		1	Collar, Sliding		
40	1402-054		1	Fork		
41	1402-058		2	Ring, Retaining		
42	1402-057		1	Spring		
43	1402-063		1	Spring		
44	1402-656		1	Shaft, Lock		
45	1402-211		1	Plug, Oil Level	(inc. one No. 29)	
46	1402-056		1	Seal		
47	2402-240		2	Seal		
48	0402-333		1	Plug, Fill	(inc. 49)	

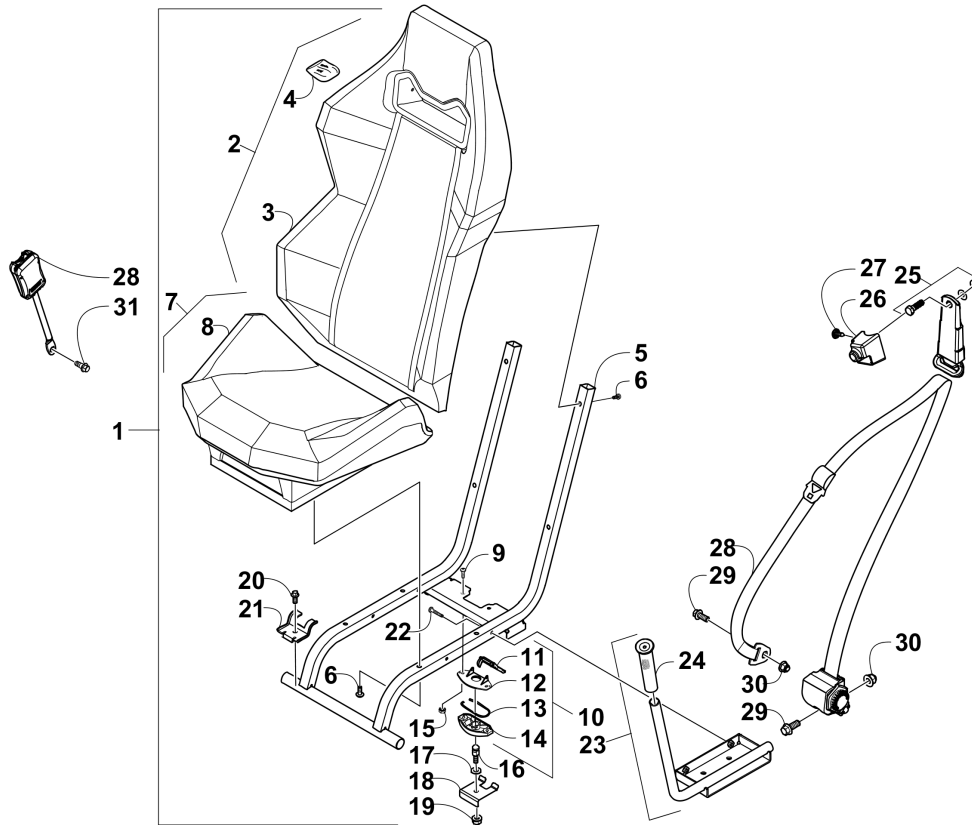
Item	Part No.	New Part	Qty	Name	Context	Footnote
49	0423-154		1	O-Ring		

FRONT PANEL ASSEMBLY [301193]



Item	Part No.	New Part	Qty	Name	Context	Footnote
1	2416-685		1	Fascia, Front - Black		
2	2411-943		1	Decal, Arctic Cat		
3	0423-609		6	Screw, Machine		
4	0423-101		12	Screw, Shoulder		
5	5506-417		1	Hood - White		
6	5411-186		1	Decal, "Wildcat 4X"		
7	5411-132		2	Decal, Hood - Side		
8	0423-577		2	Clip		
9	5506-142		1	Fender, Front - Right - White		
9	5506-143		1	Fender, Front - Left - White		

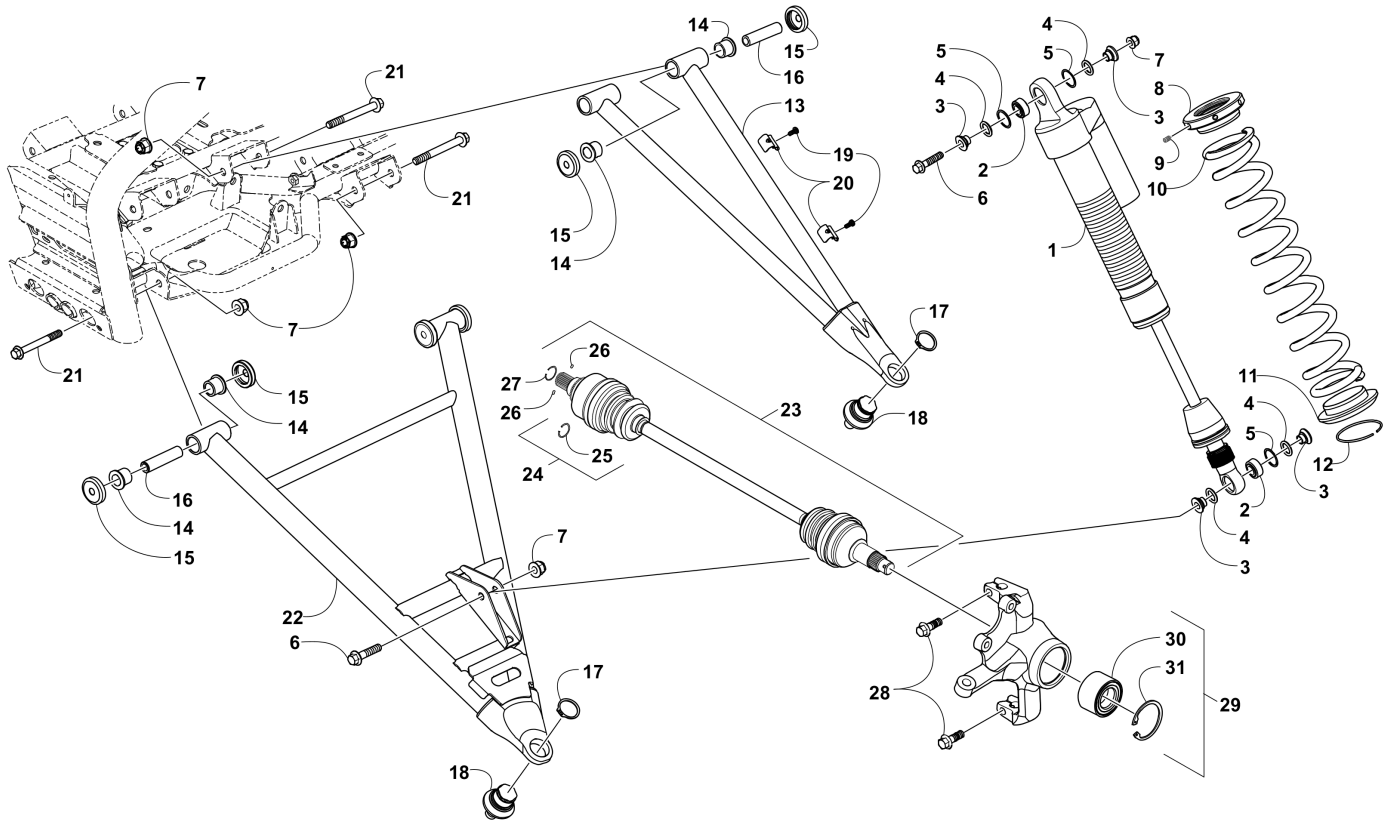
FRONT SEAT ASSEMBLY [301196]



Item	Part No.	New Part	Qty	Name	Context	Footnote
1	5506-070		2	Seat - Assembly - Black	(inc. 2-15)	
2	5506-075		2	Back, Seat	(inc. 3-4)	
3	5506-637		2	Cover, Seat Back - Black		
4	1423-265		1	Kit, Seat Hardware		
5	5506-069		2	Frame, Seat - Black		
6	8468-617		16	Screw, Machine		
7	5506-074		2	Base, Seat	(inc. 8)	
8	5506-636		2	Cover, Base Seat - Black		
9	8468-620		4	Screw, Machine		
10	2706-164		2	Latch, Seat - Assembly	(inc. 11-14)	
11	2606-854		2	Lever, Seat Latch		
12	1673-635		2	Cover, Seat Latch		
13	0673-023		2	Clip, Spring		
14	1673-634		2	Back, Seat Latch		
15	0623-038		4	Nut w/Washer		
16	1423-254		2	Stud, Latch - Seat		
17	8050-282		2	Washer		
18	5506-253		2	Guard, Seat Latch		
19	8424-002		2	Nut		
20	8408-821		4	Screw, Cap		

Item	Part No.	New Part	Qty	Name	Context	Footnote
21	5506-078		4	Bracket, Hold-Down		
22	8477-635		2	Screw, Machine		
23	5506-173		1	Handle Assembly	(inc. 24)	
24	4606-945		1	Grip		
25	1423-305		2	Screw, Shoulder - Assembly		
26	4406-922		1	Cover, Seat Belt - Right		
26	4406-923		1	Cover, Seat Belt - Left		
27	0623-784		4	Screw, Self-Tapping		
28	5506-890		2	Belt, Seat - Assembly		
29	1423-182		4	Screw, Cap		
30	1423-184		4	Nut, Lock		
31	1423-183		2	Screw, Cap		

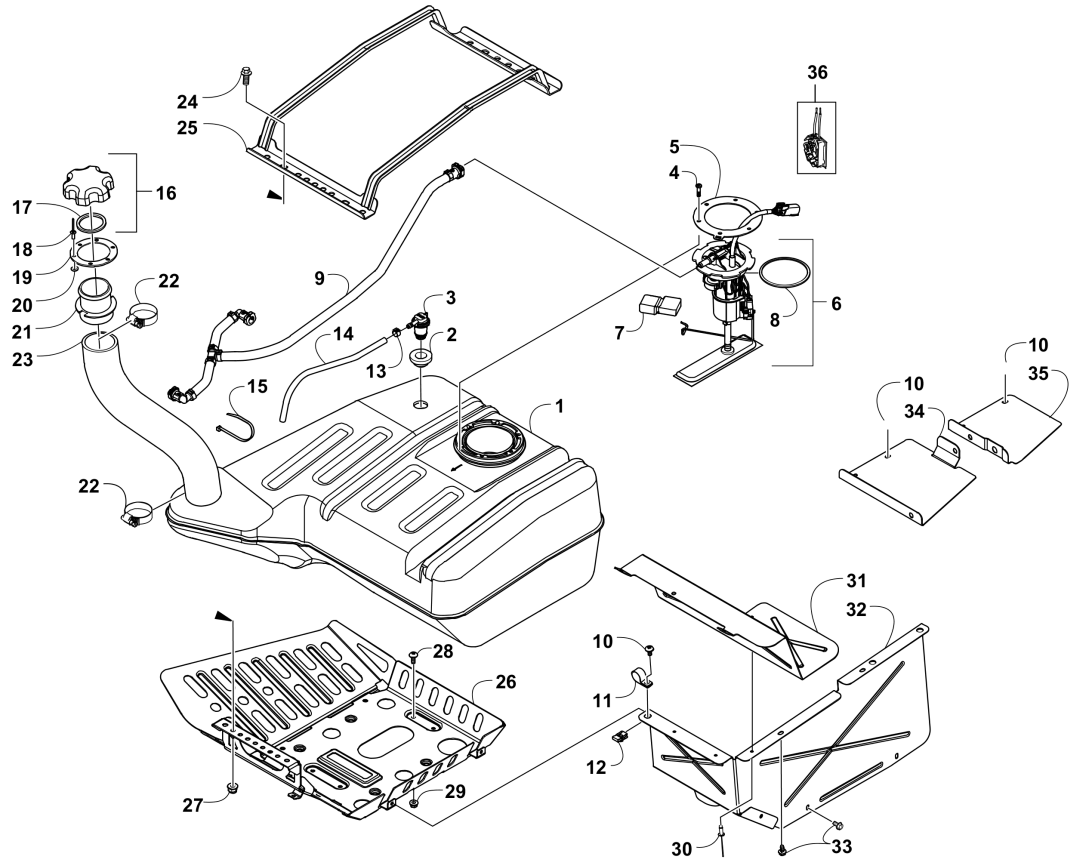
FRONT SUSPENSION ASSEMBLY [301201]



Item	Part No.	New Part	Qty	Name	Context	Footnote
1	0403-482		1	Shock Absorber - Right		
1	0403-483		1	Shock Absorber - Left		
2	0403-506		4	Bearing		
3	0403-505		8	Spacer		
4	0403-504		8	O-Ring		
5	0403-507		6	Clip		
6	8409-050		4	Screw, Cap - Left		
7	8428-002		12	Nut, Lock		
8	0403-500		2	Nut, Retainer - Spring		
9	0403-501		2	Screw, Set		
10	0503-932		2	Spring, Suspension - White		
11	0403-502		2	Retainer		
12	0403-503		2	Clip		
13	0503-722		1	A-Arm, Upper Right - Green	(inc. 14-18)	
13	0503-723		1	A-Arm, Upper Left - Green	(inc. 14-18)	
14	0403-264		16	Bushing		
15	1423-204		16	Seal		
16	0403-250		8	Sleeve		
17	0423-009		4	Ring, Retaining		
18	0405-483		4	Ball Joint		

Item	Part No.	New Part	Qty	Name	Context	Footnote
19	0423-946		4	Screw, Self-Tapping		
20	0403-257		4	Bracket, Brakeline		
21	8413-090		8	Screw, Cap		
22	0503-692		1	A-Arm, Lower Right - Green	(inc. 14-18)	
22	0503-693		1	A-Arm, Lower Left - Green	(inc. 14-18)	
23	2502-168		2	Halfshaft, Front - DB Locker	(inc. 24-27)	
24	2436-112		2	Repair Kit, Boot	(inc. 25)	
25	1441-988		2	Circlip		
26	1402-885		4	Pin, Transfer		
27	1402-889		2	Circlip		
28	0423-998		4	Screw, Shoulder		
29	0503-548		1	Knuckle - Assembly - Right	(inc. 30-31)	
29	0503-549		1	Knuckle - Assembly - Left	(inc. 30-31)	
30	1402-809		2	Bearing		
31	0423-423		2	Ring, Retaining		

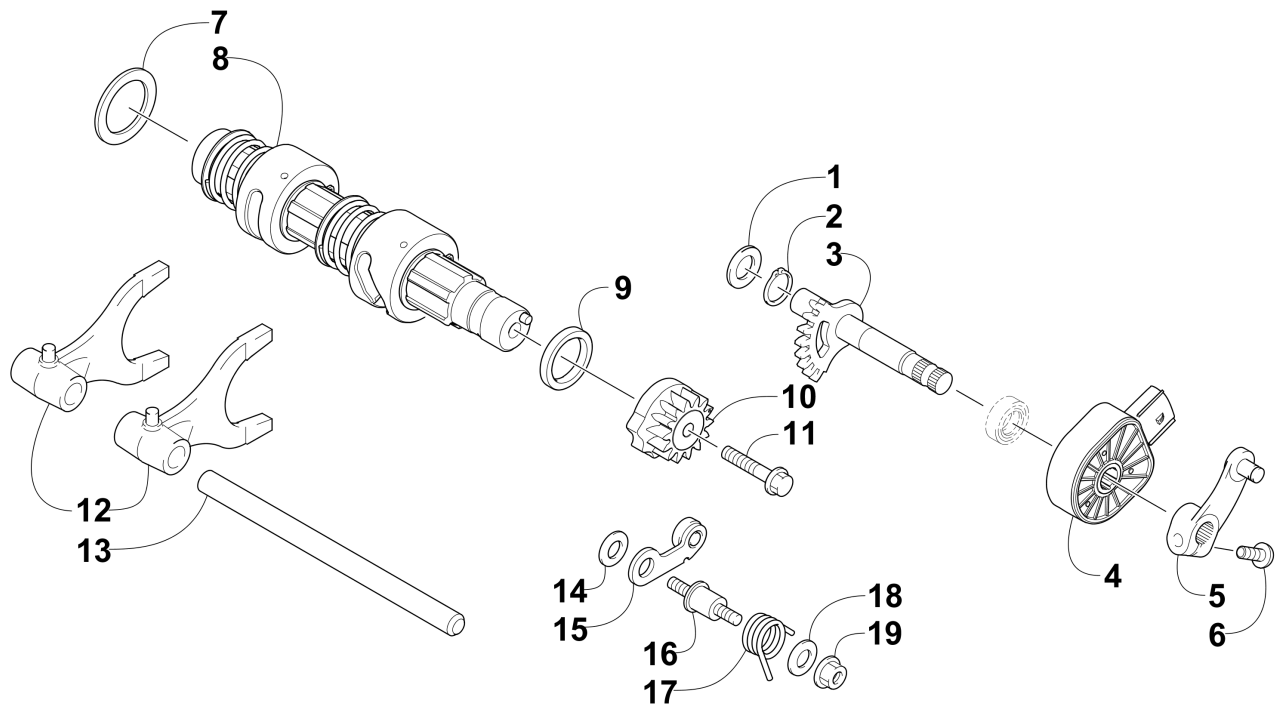
GAS TANK ASSEMBLY [300164]



Item	Part No.	New Part	Qty	Name	Context	Footnote
1	0570-359		1	Tank, Gas - Assembly	(inc. 2-5)	
2	1670-822		1	Grommet		
3	1670-787		1	Valve, Check		
4	0423-898		6	Screw, Self-Tapping		
5	2670-042		1	Plate, Retaining - Fuel Pump		
6	0570-436		1	Kit, Fuel Pump	(inc. 7)	
7	2670-235		1	Float		
8	0470-838		1	Seal		
9	0570-343		1	Hose, Gasline		
10	8476-616		5	Screw, Machine		
11	1623-675		2	Clamp		
12	0423-577		1	Clip		
13	0423-688		1	Clamp, Hose		
14	0410-070		AR	Hose - 25 ft		
15	0123-788		AR	Tie, Cable - 8 in.		
15	0123-903		AR	Tie, Cable - 11.5 in.		
16	2670-048		1	Cap, Gas Tank - Assembly	(inc. 17)	
17	0109-733		1	Seal, Gas Tank Cap		
18	8060-628		6	Rivet		
19	0670-304		1	Plate, Retaining		

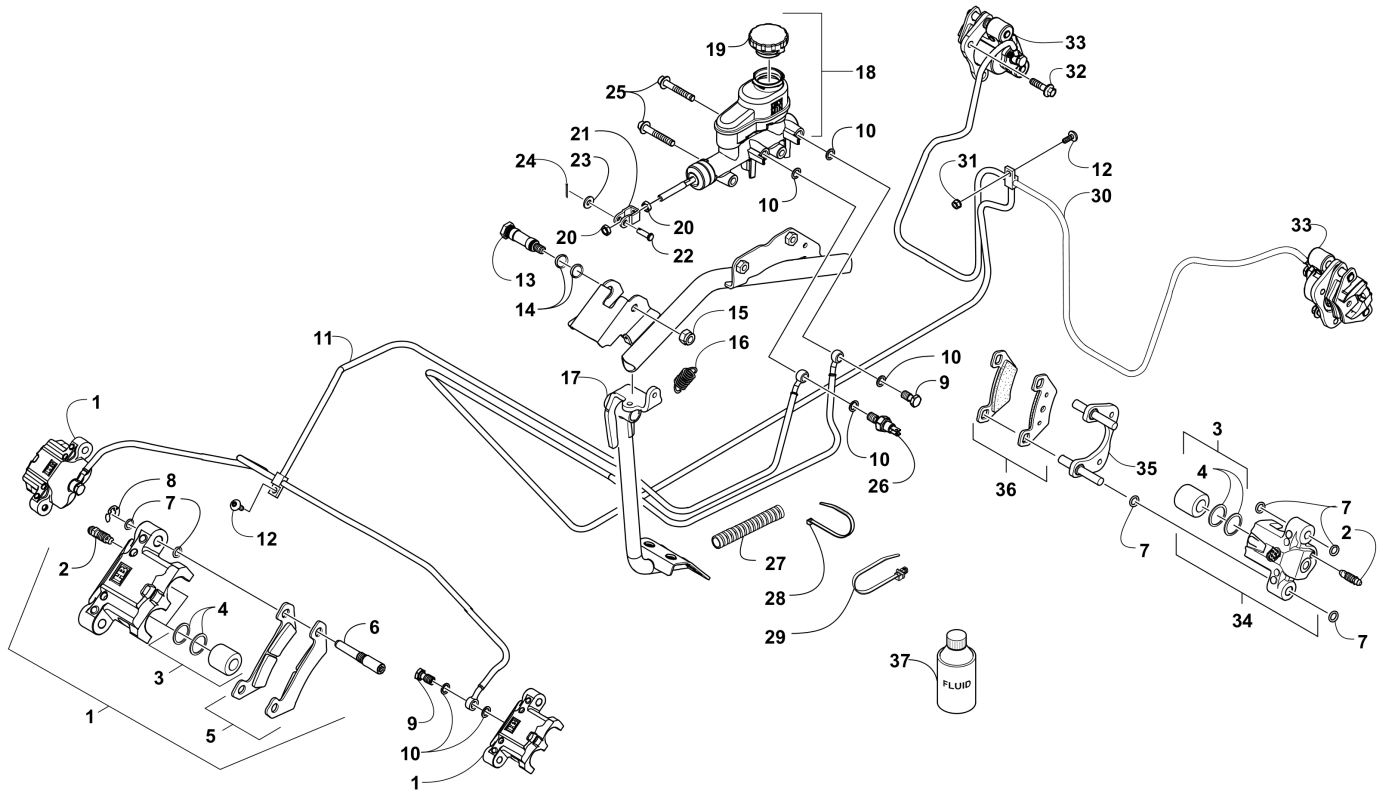
Item	Part No.	New Part	Qty	Name	Context	Footnote
20	0123-802		6	Washer		
21	0470-970		1	Neck, Fill		
22	0624-390		2	Clamp, Hose		
23	0410-231		1	Hose, Gasline		
24	8408-825		4	Screw, Cap		
25	0570-352		1	Bracket, Hold-Down		
26	0570-371		1	Cradle, Fuel Tank		
27	8427-805		4	Nut, Lock		
28	8477-616		4	Screw, Machine		
29	8427-602		4	Nut, Lock		
30	8060-602		4	Rivet		
31	0412-632		1	Shield, Heat - Upper		
32	0412-633		1	Shield, Heat - Lower		
33	0623-966		4	Screw, Self-Tapping		
34	0412-808		1	Shield, Heat - Front Upper		
35	0412-818		1	Shield, Heat - Rear Upper		
36	1770-170		1	Fuel Level Sensor Kit		

GEAR SHIFTING ASSEMBLY [100525]



Item	Part No.	New Part	Qty	Name	Context	Footnote
1	0828-036		1	Washer		
2	0831-010		1	Ring, Retaining		
3	0818-095		1	Shaft, Sub-Gear Shift		
4	0409-125		1	Switch, Gear Position		
5	0818-164		1	Arm, Select		
6	8468-620		1	Screw, Machine		
7	0828-040		1	Washer		
8	0818-133		1	Shaft, Gear Shift - Assembly		
9	0828-131		1	Spacer		
10	0818-145		1	Cam, Gear Shift		
11	0826-006		1	Screw, Cap		
12	0818-072		2	Fork, Shift		
13	0818-006		1	Shaft, Shift Fork		
14	0828-038		1	Washer		
15	0818-002		1	Stopper, Cam		
16	0818-004		1	Support, Cam Stopper		
17	0818-144		1	Spring		
18	0828-035		1	Washer		
19	8424-602		1	Nut		

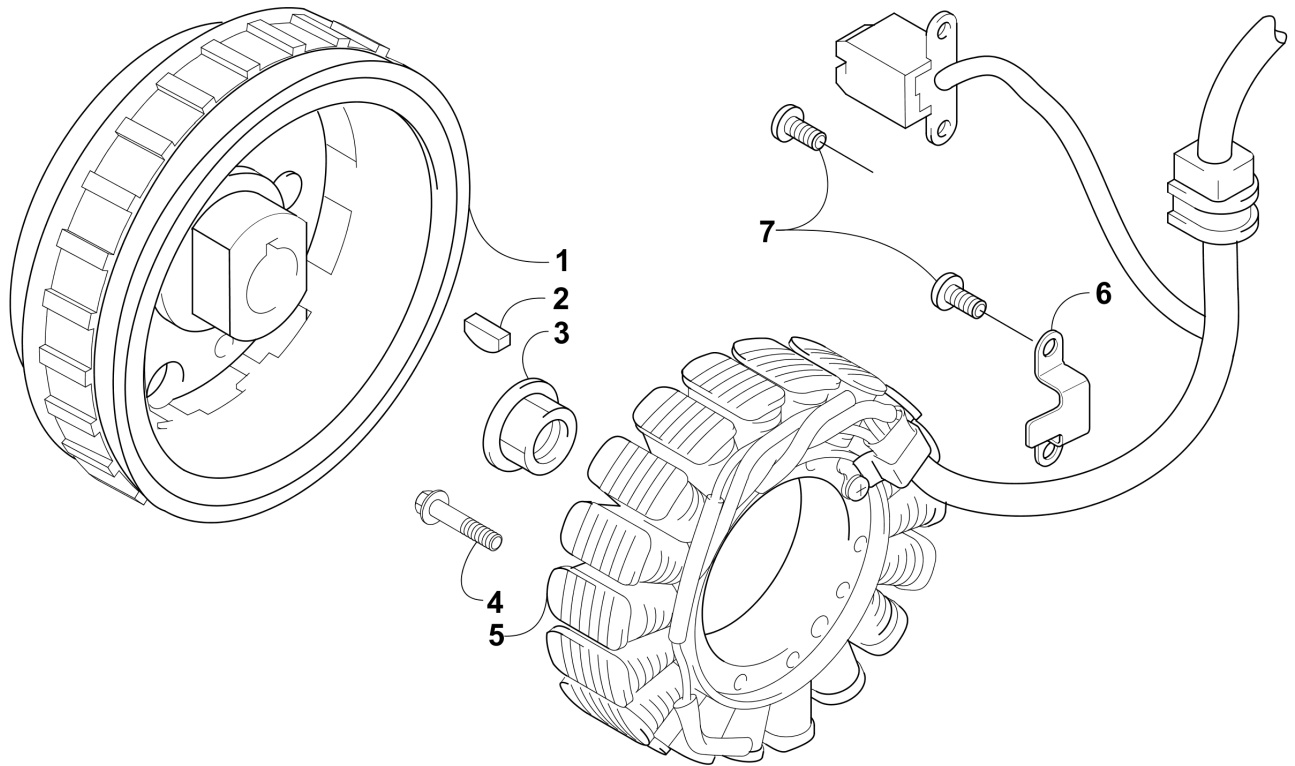
HYDRAULIC BRAKE ASSEMBLY [300456]



Item	Part No.	New Part	Qty	Name	Context	Footnote
1	2502-030		1	Caliper, Brake	(inc. 2-4)	Front Right
1	2502-031		1	Caliper, Brake	(inc. 2-4)	Front Left
2	0502-609		4	Valve, Bleed		
3	0502-606		4	Piston/Seal Set	(inc. 4)	
4	0502-607		4	Seal Set		
5	2502-034		2	Pad, Brake - Set		Both Front
6	2402-106		4	Pin, Retaining		
7	0502-608		4	O-Ring, Guide - Set		
8	2402-107		4	Ring, Retaining		
9	0423-413		5	Bolt, Banjo-Fitting		
10	0423-178		12	Washer, Crush		
11	2402-118		1	Hose, Brake - Front		
12	8476-616		2	Screw, Machine		
13	0402-872		1	Axle		
14	1602-213		2	O-Ring		
15	8422-002		1	Nut, Lock		
16	1612-178		1	Spring, Exhaust		
17	2502-075		1	Lever, Brake		
18	2502-043		1	Cylinder, Master Brake - Assembly	(inc. 19-21)	
19	2502-044		1	Cap, Reservoir		

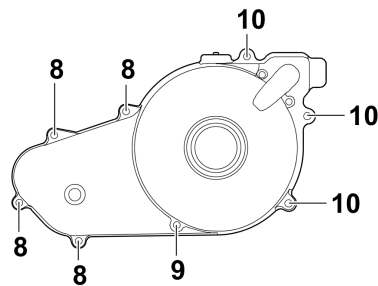
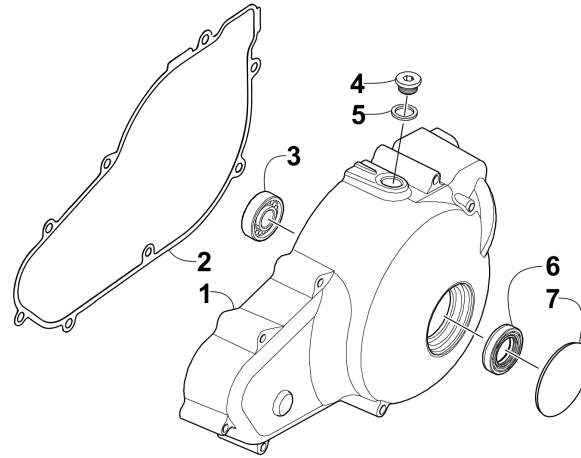
Item	Part No.	New Part	Qty	Name	Context	Footnote
20	0402-592		2	Nut		
21	1402-520		1	Clevis		
22	1402-377		1	Pin, Clevis		
23	8050-217		1	Washer		
24	0117-868		1	Pin, Cotter		
25	8408-850		2	Screw, Cap		
26	3313-239		1	Switch, Brake Pressure		
27	0619-776		AR	Conduit, Flexible - 5 ft		
28	0123-788		AR	Tie, Cable - 8 in.		
28	0123-903		AR	Tie, Cable - 11.5 in.		
29	0423-075		AR	Tie, Cable - Push Mount		
30	2402-065		1	Hose, Brake - Rear		
31	0623-038		1	Nut w/Washer		
32	8408-831		4	Screw, Cap		
33	1502-730		1	Caliper, Brake	(inc. 2-4, 7, and 34-36)	Rear Right
33	1502-731		1	Caliper, Brake	(inc. 2-4, 7, and 34-36)	Rear Left
34	1436-160		1	Housing, Caliper - Assembly	(inc. 2-4)	Rear Right
34	1436-161		1	Housing, Caliper - Assembly	(inc. 2-4)	Rear Left
35	0502-960		2	Bracket Assembly		
36	1436-420		2	Pad, Brake - Set		Both Rear
37	5639-848		AR	Fluid, Brake - 12 oz		

MAGNETO ASSEMBLY [300154]



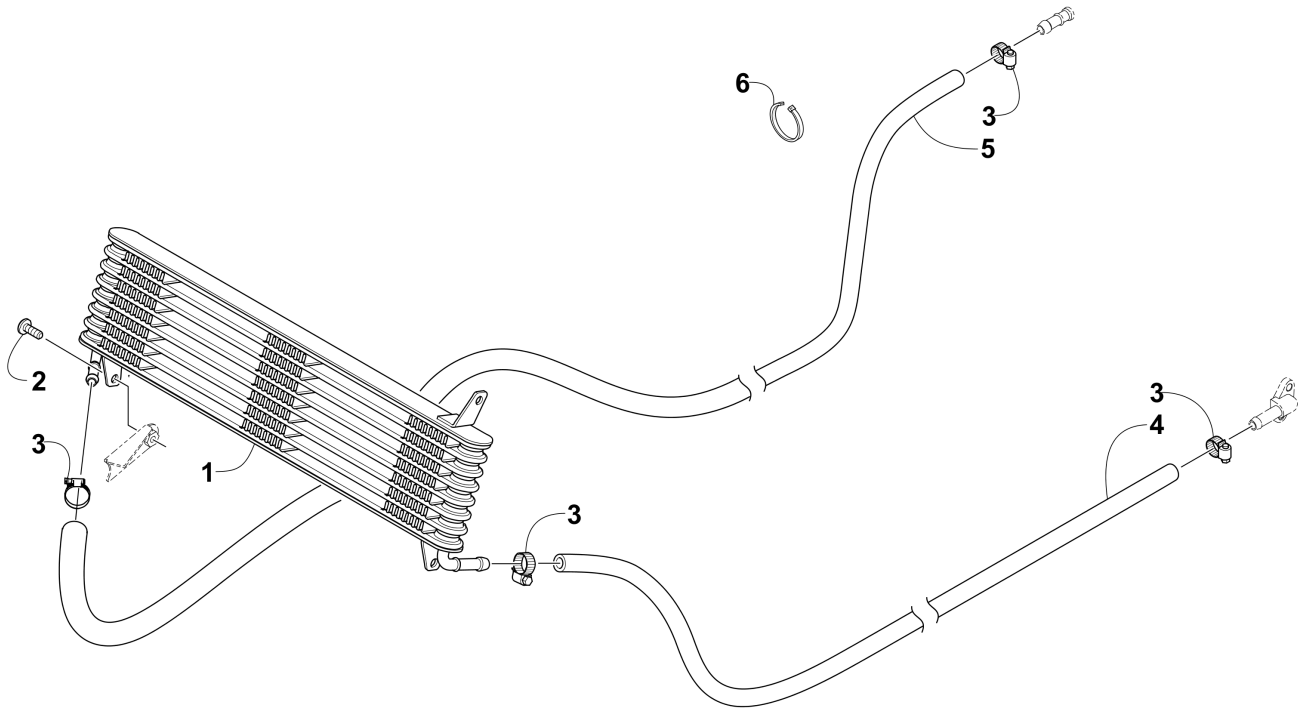
Item	Part No.	New Part	Qty	Name	Context	Footnote
1	0802-059		1	Rotor/Flywheel		
2	0829-012		1	Key		
3	0827-010		1	Nut		
4	8409-632		3	Screw, Machine		
5	0802-072		1	Stator - Assembly		
6	0831-064		1	Clamp		
7	8470-510		4	Screw, Machine		

MAGNETO SIDE ENGINE COVERS [300789]



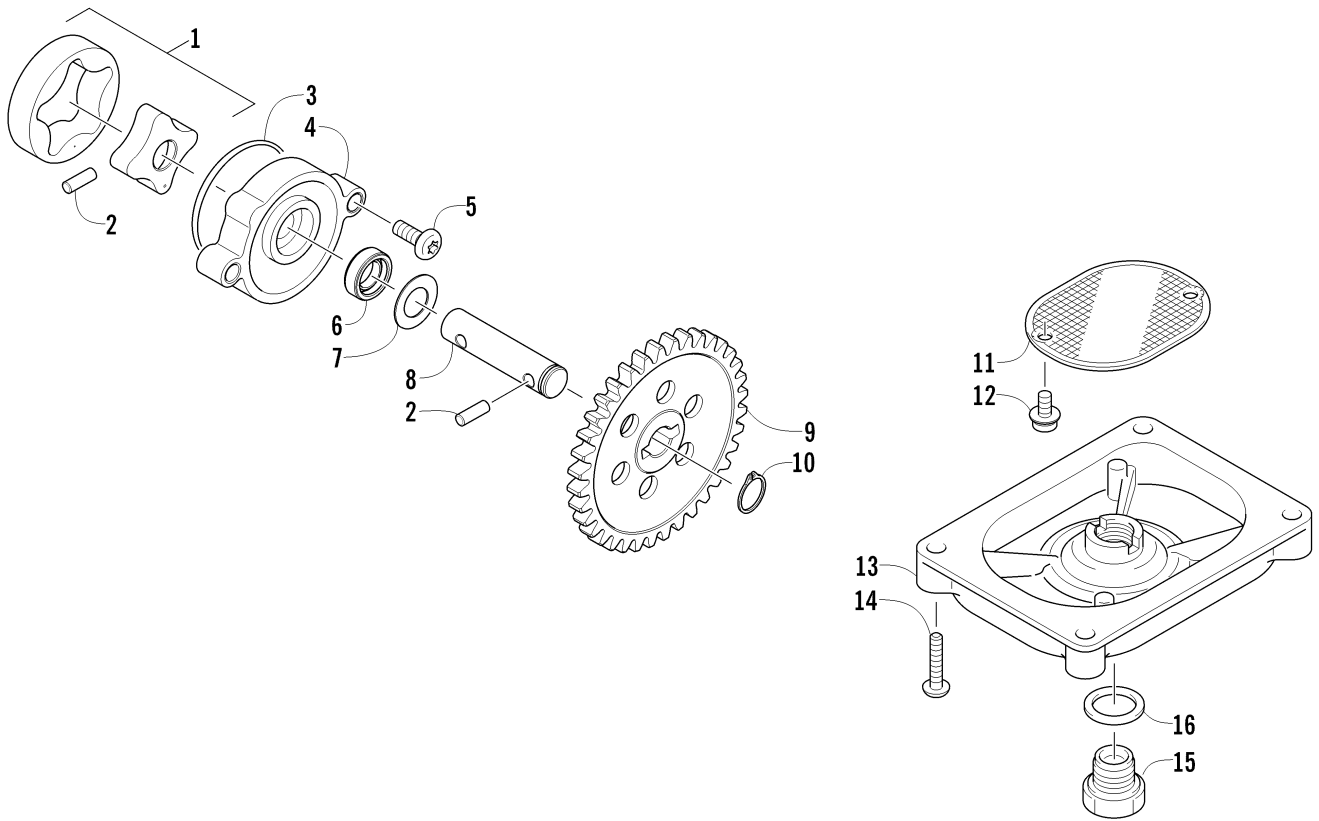
Item	Part No.	New Part	Qty	Name	Context	Footnote
1	0806-151		1	Cover, Magneto		
2	0830-132		1	Gasket, Magneto Cover		
3	0832-010		1	Bearing		
4	0826-155		1	Plug		
5	0830-015		1	Washer, Crush		
6	0830-176		1	Seal, Can - 47 x 16 x 5.5		
7	0806-182		1	Cap, Magneto Cover		
8	8468-650		4	Screw, Machine		
9	8468-695		1	Screw, Machine		
10	8468-665		3	Screw, Machine		

OIL COOLER ASSEMBLY [301204]



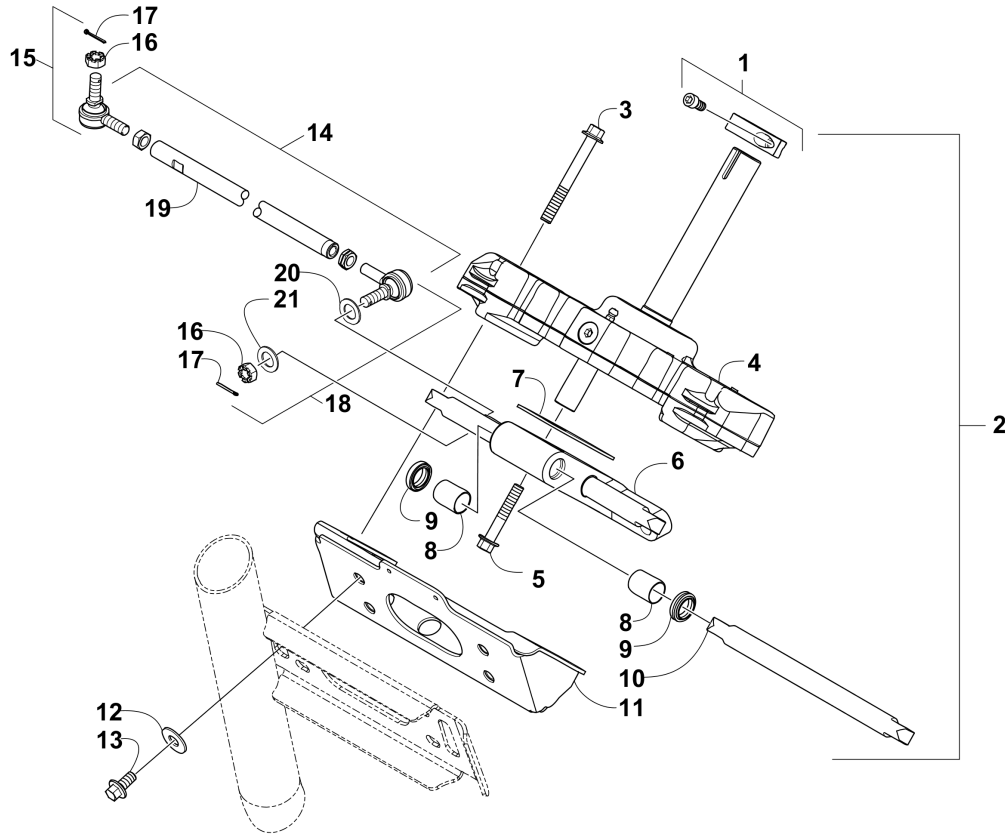
Item	Part No.	New Part	Qty	Name	Context	Footnote
1	0413-308		1	Cooler, Oil		
2	8476-616		3	Screw, Machine		
3	0423-632		4	Clamp, Hose		
4	0410-325		1	Hose, Oil Cooler - In		
5	0410-326		1	Hose, Oil Cooler - Out		
6	0123-903		AR	Tie, Cable - 11.5 in.		

OIL PUMP ASSEMBLY [92690]



Item	Part No.	New Part	Qty	Name	Context	Footnote
1	0812-041		1	Gerotor - Set		
2	0829-009		2	Pin		
3	0812-048		1	O-Ring		
4	0812-040		1	Housing, Oil Pump		
5	8468-625		2	Screw, Machine		
6	0812-047		1	Seal, Oil Pump		
7	0828-007		1	Washer		
8	0812-046		1	Shaft, Oil Pump		
9	0812-045		1	Gear, Driven		
10	0831-002		1	Ring, Retaining		
11	0812-057		1	Strainer, Oil		
12	0826-040		2	Screw, Machine		
13	0812-053		1	Cap, Oil Strainer		
14	8468-625		4	Screw, Machine		
15	0812-006		1	Plug, Drain		
16	0830-017		1	Gasket, Drain Plug		

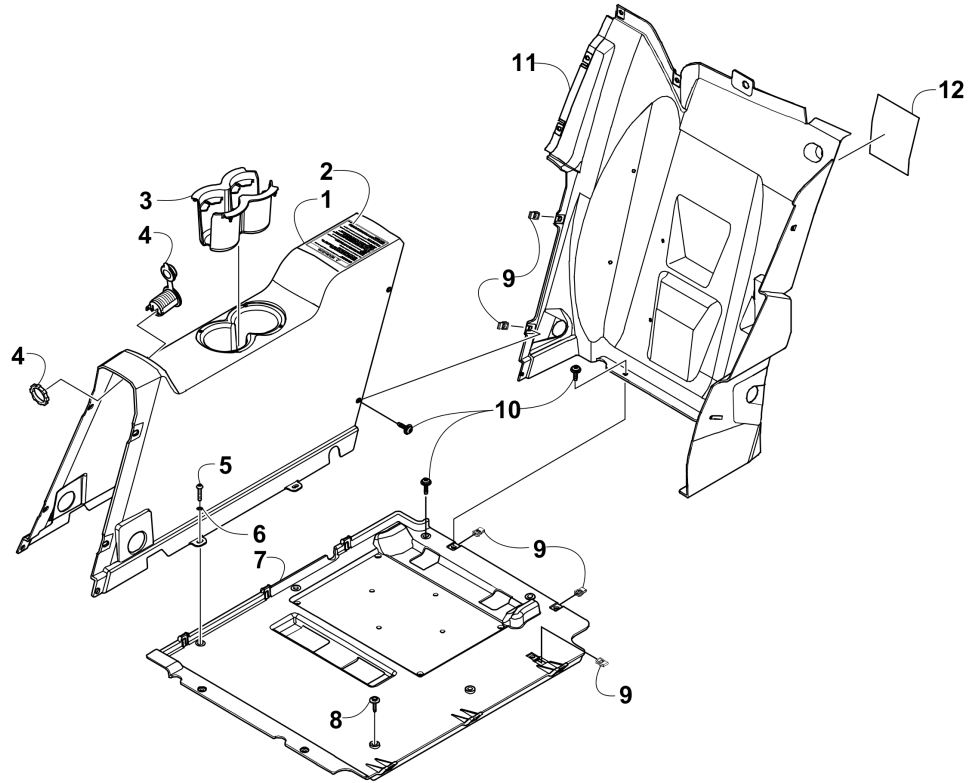
RACK AND PINION ASSEMBLY [100032]



Item	Part No.	New Part	Qty	Name	Context	Footnote
1	0405-463		1	Collar, Locking		
2	0505-814		1	Rack and Pinnion Assembly	(inc. 3-11)	
3	8408-872		4	Screw, Cap		
4	0505-826		1	Rack and Pinion		
5	8409-847		1	Screw, Cap		
6	0505-888		1	Kit, Rack Carrier	(inc. 7-9 and 20)	
7	0405-414		1	Pad, Felt		
8	0405-445		4	Bushing		
9	0405-475		4	Seal		
10	0405-457		2	Rod, Support		
11	4506-688		1	Bracket, Mounting		
12	0623-044		4	Washer		
13	8408-818		4	Screw, Cap		
14	0505-815		2	Kit, Tie Rod	(inc. 15-19)	
15	0505-812		2	Kit, Tie Rod End - Outer	(inc. 16-17)	
16	1423-072		4	Nut, Castle		
17	0623-175		4	Pin, Cotter		
18	0505-811		2	Kit, Tie Rod End - Inner	(inc. 16-17)	
19	0405-404		2	Tie Rod		
20	1423-068		2	Washer		

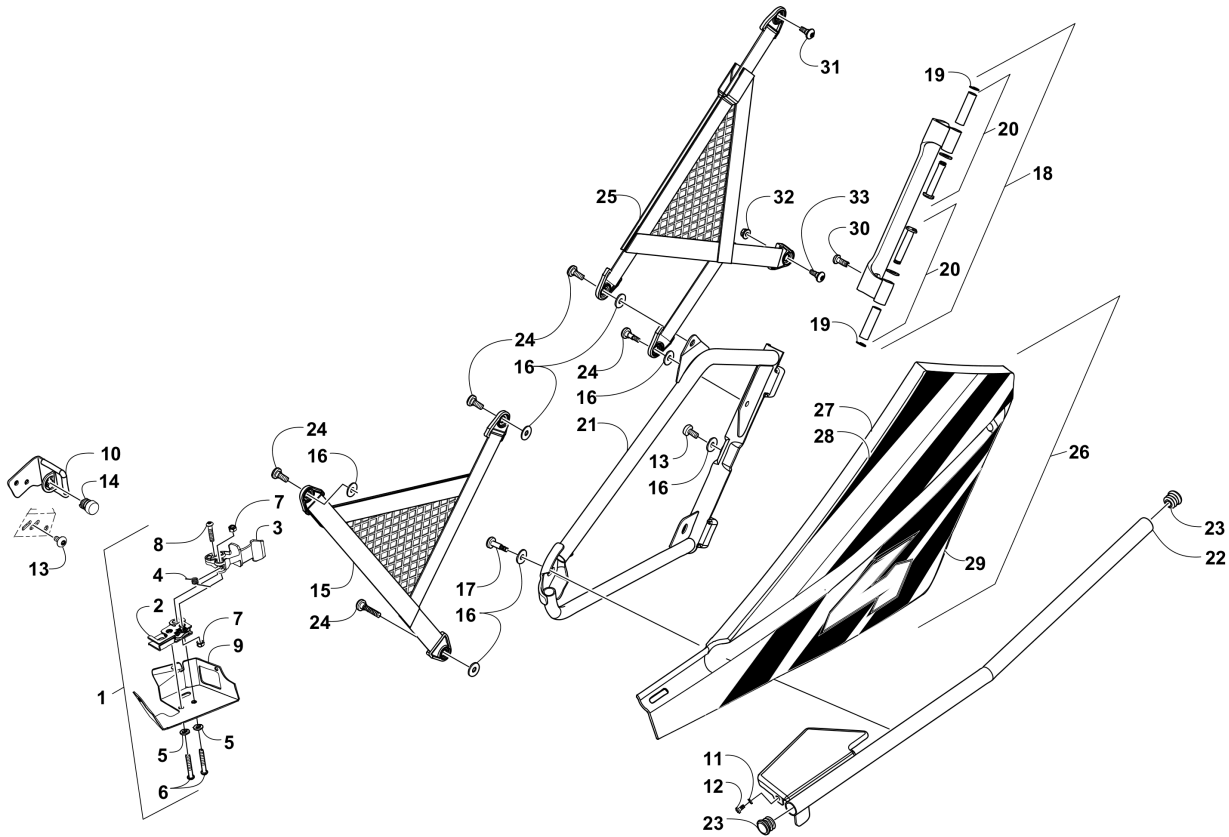
Item	Part No.	New Part	Qty	Name	Context	Footnote
21	1423-071		2	Washer		

REAR CONSOLE AND FLOOR PANEL ASSEMBLY [300777]



Item	Part No.	New Part	Qty	Name	Context	Footnote
1	5506-264		1	Console - Rear	(inc. 2)	
2	3411-327		1	Decal, Warning - Passenger		
3	2416-109		1	Insert, Cupholder		
4	0641-897		1	Outlet, Accessory - 12V		
5	8468-635		4	Screw, Machine		
6	8050-223		4	Washer, Flat		
7	4406-110		1	Panel, Floor - Right		
7	4406-111		1	Panel, Floor - Left		
8	1423-142		12	Screw, Cap - w/Washer		
9	0423-577		10	Clip		
10	0423-609		12	Screw, Machine		
11	4406-228		1	Panel, Splash - Right		
11	5506-986		1	Panel, Splash - Left	(inc. 12)	
12	0412-806		1	Foil, Protective		

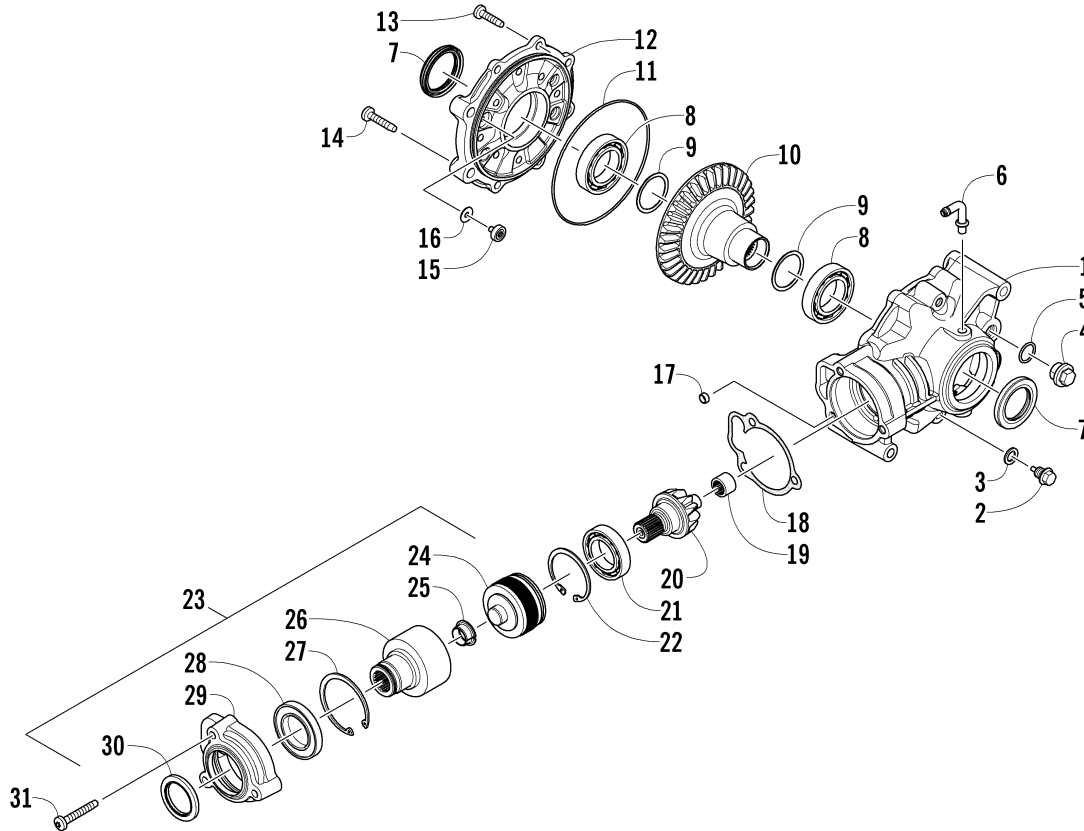
REAR DOOR ASSEMBLY [301200]



Item	Part No.	New Part	Qty	Name	Context	Footnote
1	2436-268		1	Latch, Right - Assembly	(inc. 2-9)	
1	2436-269		1	Latch, Left - Assembly	(inc. 2-9)	
2	4406-908		1	Latch, Rotary - Right		
2	4406-909		1	Latch, Rotary - Left		
3	4406-999		2	Handle, Door		
4	1423-235		2	Spring		
5	1423-120		4	Washer		
6	1423-232		4	Screw, Machine		
7	1423-153		4	Nut, Lock		
8	1423-231		2	Screw		
9	4406-798		1	Bracket, Door Latch - Right		
9	4406-799		1	Bracket, Door Latch - Left		
10	4406-794		1	Plate, Striker - Right		
10	4406-795		1	Plate, Striker - Left		
11	1423-283		6	Washer, Lock		
12	1423-282		6	Screw, Cap		
13	1423-113		4	Screw, Machine		
14	4406-419		2	Bumper, Door Stopper		
15	4406-261		2	Net, Restraint - Lower		
16	1423-152		12	Washer		

Item	Part No.	New Part	Qty	Name	Context	Footnote
17	1423-192		2	Screw, Shoulder		
18	1436-476		1	Hinge, Door - Assembly - Right	(inc. 19-20)	
18	1436-454		1	Hinge, Door - Assembly - Left	(inc. 19-20)	
19	1423-118		4	Circlip		
20	0518-096		4	Kit, Hinge Pin		
21	5506-200		1	Frame, Door - Right		
21	5506-201		1	Frame, Door - Left		
22	5506-932		1	Tube, Support - Right		
22	5506-933		1	Tube, Support - Left		
23	4406-013		4	Plug, Hole		
24	1423-196		3	Screw, Shoulder		
25	4406-260		2	Net, Restraint - Upper		
26	0518-258	X	1	Door w/Decals - Right - Black	(inc. 27-29)	
26	0518-259	X	1	Door w/Decals - Left - Black	(inc. 27-29)	
27	4406-790		1	Door w/o Decals - Right - Black		
27	4406-791		1	Door w/o Decals - Left - Black		
28	5411-200		1	Decal, Door - Upper - Right		
28	5411-201		1	Decal, Door - Upper - Left		
29	5411-202		1	Decal, Door - Lower - Right		
29	5411-203		1	Decal, Door - Lower - Left		
30	0423-817		4	Screw, Machine		
31	0423-355		4	Screw, Shoulder		
32	8427-602		2	Nut, Lock		
33	0826-029		4	Screw, Machine		

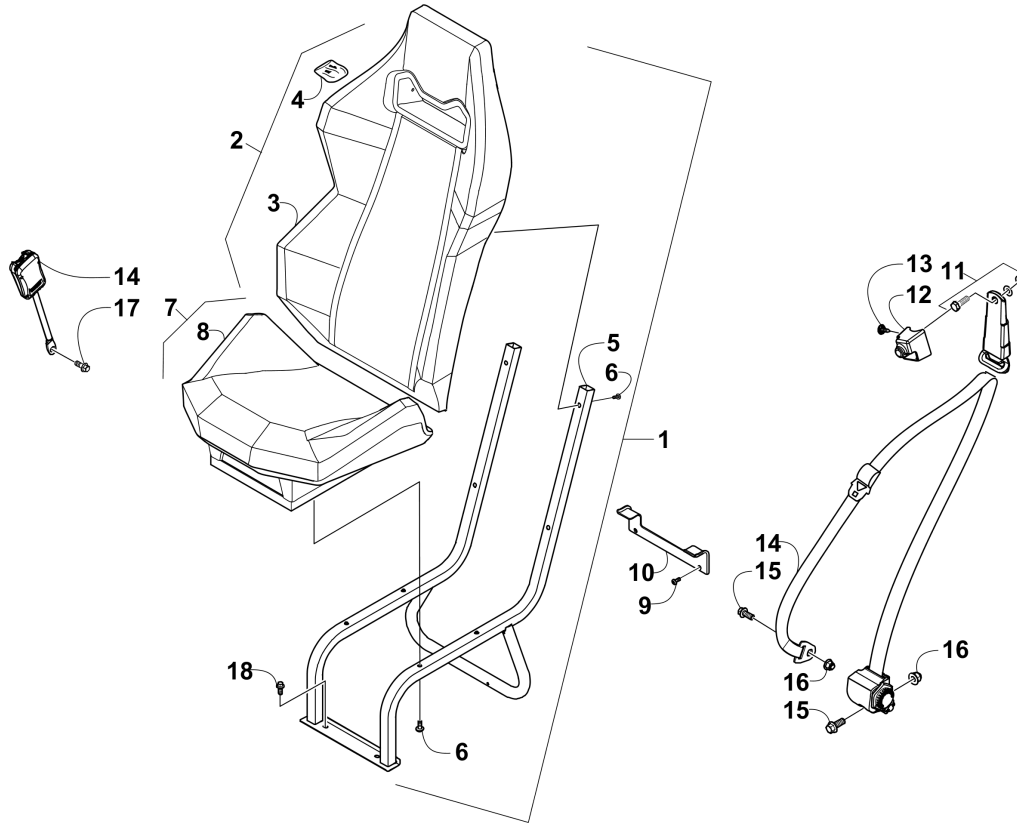
REAR DRIVE GEARCASE ASSEMBLY [100040]



Item	Part No.	New Part	Qty	Name	Context	Footnote
Not Shown	2502-083		1	Gearcase, Rear - Assembly		
1	1502-921		1	Housing, Gearcase		
2	2402-043		1	Plug, Drain - Magnetic		
3	2402-044		1	Washer		
4	0402-333		1	Plug, Fill	(inc. 5)	
5	0423-154		1	O-Ring		
6	2402-162		1	Fitting, Elbow		
7	2402-140		2	Seal		
8	2402-042		2	Bearing		
9	0402-405		AR	Shim, 41 x 49 x 1.3 mm		
9	0402-406		AR	Shim, 41 x 49 x 1.4 mm		
9	0402-407		AR	Shim, 41 x 49 x 1.5 mm		
9	0402-408		AR	Shim, 41 x 49 x 1.6 mm		
9	0402-409		AR	Shim, 41 x 49 x 1.7 mm		
10	2402-035		1	Gear, Ring - 34T		
11	0423-149		1	O-Ring		
12	1502-922		1	Cover, Gearcase		
13	0423-118		6	Screw, Self-Tapping		
14	0423-115		2	Screw, Self-Tapping		
15	0402-326		1	Button, Thrust		

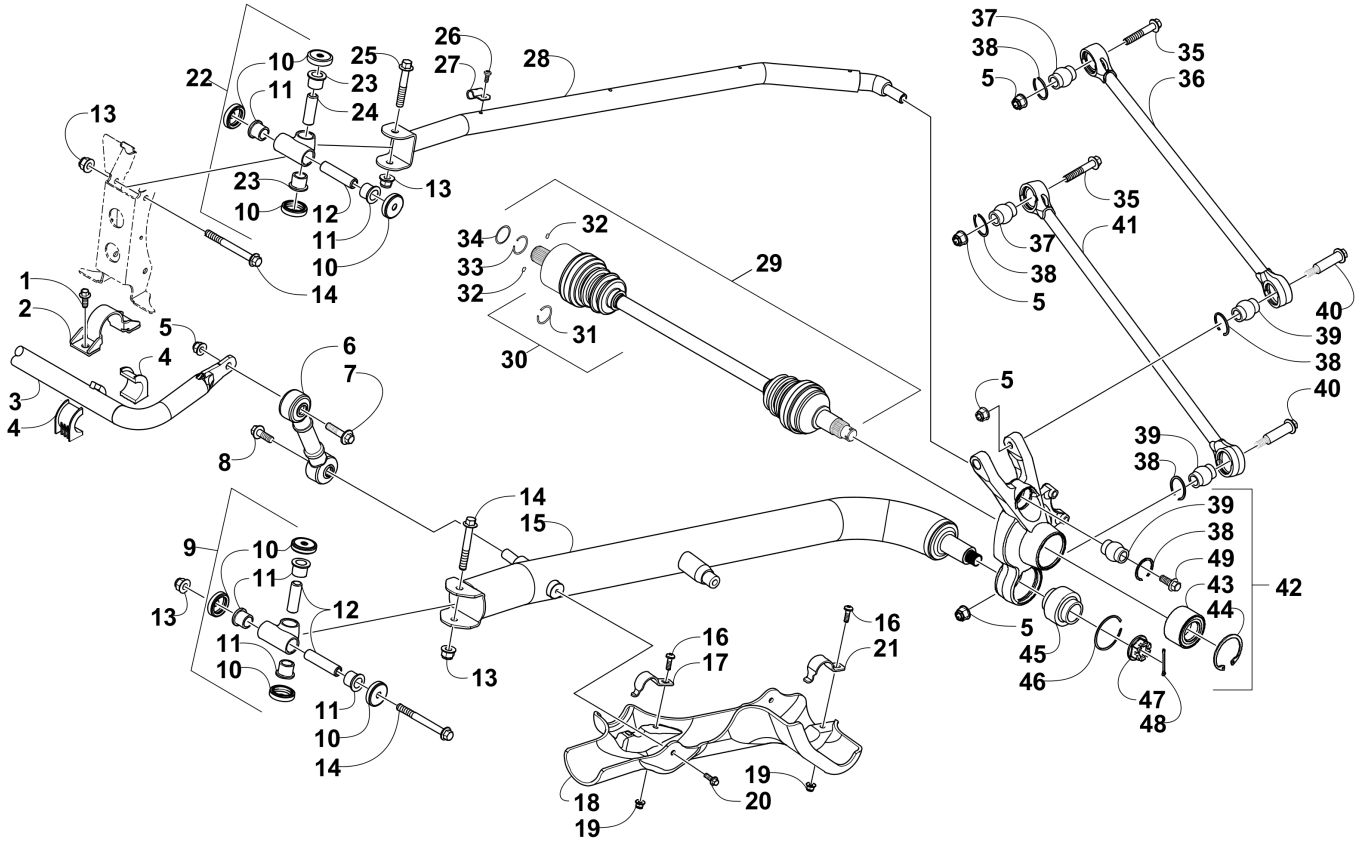
Item	Part No.	New Part	Qty	Name	Context	Footnote
16	0402-429		AR	Shim, 6.3 x 18 x 1.3 mm		
16	0402-430		AR	Shim, 6.3 x 18 x 1.4 mm		
16	0402-431		AR	Shim, 6.3 x 18 x 1.5 mm		
16	0402-432		AR	Shim, 6.3 x 18 x 1.6 mm		
16	0402-433		AR	Shim, 6.3 x 18 x 1.7 mm		
17	0402-411		1	Pin, Dowel		
18	0402-947		1	Gasket, Flange		
19	0402-328		1	Bearing		
20	2402-037		1	Gear, Pinion - Assembly - 11T		
21	0402-324		1	Bearing		
22	1423-067		1	Ring, Retaining		
23	1502-998		1	Shaft, Input	(inc. 24-30)	
24	1502-997		1	Cartridge, Clutch - Assembly		
25	1402-966		1	Flange, Bearing		
26	1402-965		1	Basket, Clutch		
27	0423-798		1	Ring, Retaining - Internal		
28	1402-677		1	Bearing		
29	1502-838		1	Housing, Input		
30	0402-089		1	Seal, Wheel Bearing - Front		
31	1423-065		3	Screw, Self-Tapping		

REAR SEAT ASSEMBLY [300779]



Item	Part No.	New Part	Qty	Name	Context	Footnote
1	5506-073		2	Seat - Assembly	(inc. 2-8)	
2	5506-075		2	Back, Seat	(inc. 3-4)	
3	5506-637		2	Cover, Seat Back - Black		
4	1423-265		1	Kit, Seat Hardware		
5	5506-072		2	Frame, Seat - Black		
6	8468-617		16	Screw, Machine		
7	5506-074		2	Base, Seat	(inc. 8)	
8	5506-636		2	Cover, Base Seat - Black		
9	8468-616		4	Screw, Machine		
10	5506-226		2	Bracket, Hold-Down		
11	1423-305		2	Screw, Shoulder - Assembly		
12	4406-922		1	Cover, Seat Belt - Right		
12	4406-923		1	Cover, Seat Belt - Left		
13	0623-784		4	Screw, Self-Tapping		
14	5506-891		2	Belt, Seat - Assembly		
15	1423-182		2	Screw, Cap		
16	1423-184		2	Nut, Lock		
17	1423-183		2	Screw, Cap		
18	8408-821		4	Screw, Cap		

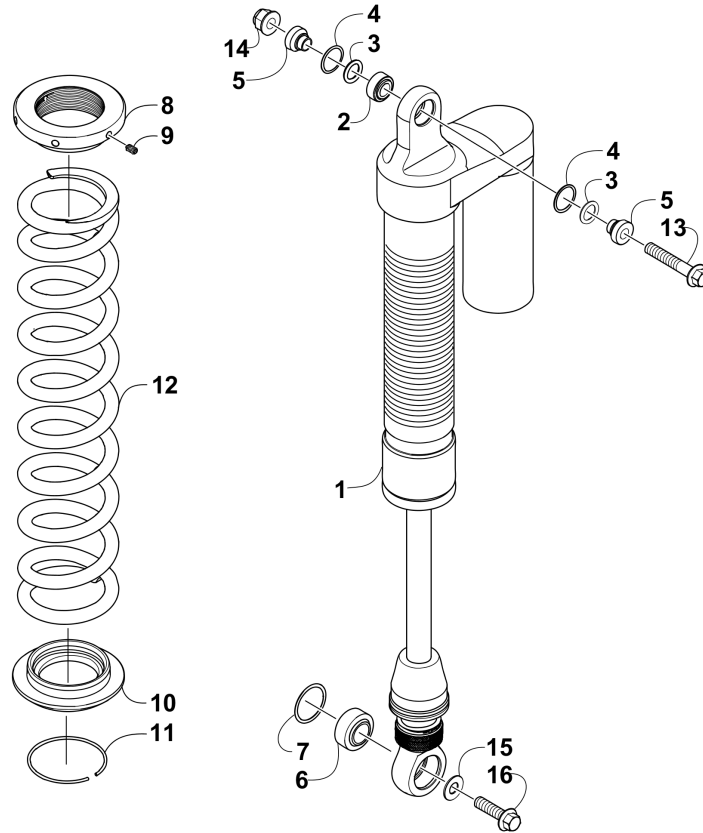
REAR SUSPENSION ASSEMBLY [301202]



Item	Part No.	New Part	Qty	Name	Context	Footnote
1	1423-150		4	Screw, Cap		
2	0504-724		2	Clamp, Retaining		
3	0504-782		1	Bar, Sway		
4	0404-304		4	Bushing		
5	8428-002		14	Nut, Lock		
6	0404-302		2	Link, Sway Bar		
7	8409-045		2	Screw, Cap		
8	8409-041		2	Screw, Cap		
9	0504-748		2	Mount, Lower Trailing Arm - Assembly	(inc. 10-12)	
10	1423-159		16	Seal		
11	2402-077		12	Bearing		
12	0404-285		6	Axle		
13	8427-202		8	Nut, Lock		
14	8413-200		6	Screw, Cap		
15	0504-843		2	Arm, Trailing - Lower Green		
16	8468-620		4	Screw, Machine		
17	0504-701		2	Bracket, Retaining - Front		
18	2416-952		1	Guard, Trailing Arm - Right - Black		
18	2416-953		1	Guard, Trailing Arm - Left - Black		
19	8427-602		4	Nut, Lock		

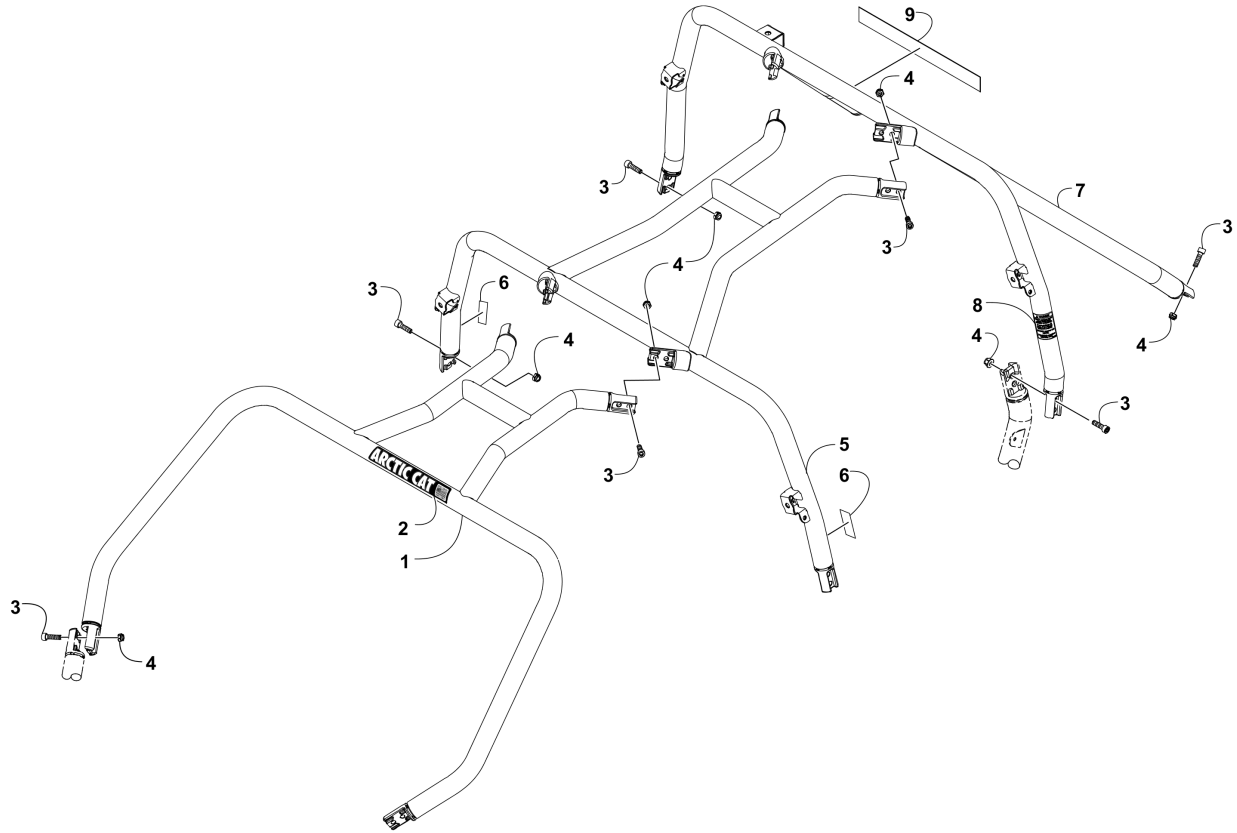
Item	Part No.	New Part	Qty	Name	Context	Footnote
20	0423-538		4	Screw, Self-Tapping		
21	0504-700		2	Bracket, Retaining - Rear		
22	0504-756		2	Mount, Upper Trailing Arm - Assembly	(inc. 10-12 and 23-24)	
23	2402-076		4	Bearing		
24	0404-289		2	Axle		
25	8413-275		2	Screw, Cap		
26	0423-946		8	Screw, Self-Tapping		
27	0403-271		8	Clip, Routing		
28	0504-842		2	Arm, Trailing - Upper Green		
29	2502-169		2	Axle, Drive	(inc. 30-34)	
30	2436-112		2	Repair Kit, Boot	(inc. 31)	
31	1441-988		2	Circlip		
32	1402-885		4	Pin, Transfer		
33	1402-889		2	Circlip		
34	1402-963		2	O-Ring		
35	8409-060		6	Screw, Cap		
36	0504-738		4	Link, Suspension - Upper - Black	(inc. 37-39)	
37	0404-249		6	Bearing		
38	1423-085		14	Ring, Retaining		
39	0404-248		8	Bearing		
40	1423-087		6	Screw, Shoulder		
41	0504-736		2	Link, Suspension - Lower - Black	(inc. 37-39)	
42	0504-840		1	Knuckle - Assembly - Right	(inc. 38-39 and 43-46)	
42	0504-841		1	Knuckle - Assembly - Left	(inc. 38-39 and 43-46)	
43	1402-027		2	Bearing, Wheel		
44	0423-423		2	Ring, Retaining		
45	0404-243		2	Bearing		
46	1423-086		2	Ring, Retaining		
47	0423-394		2	Nut, Castle		
48	1423-147		2	Pin, Spring		
49	8409-025		2	Screw, Cap		

REAR SUSPENSION SHOCK ASSEMBLY [300786]



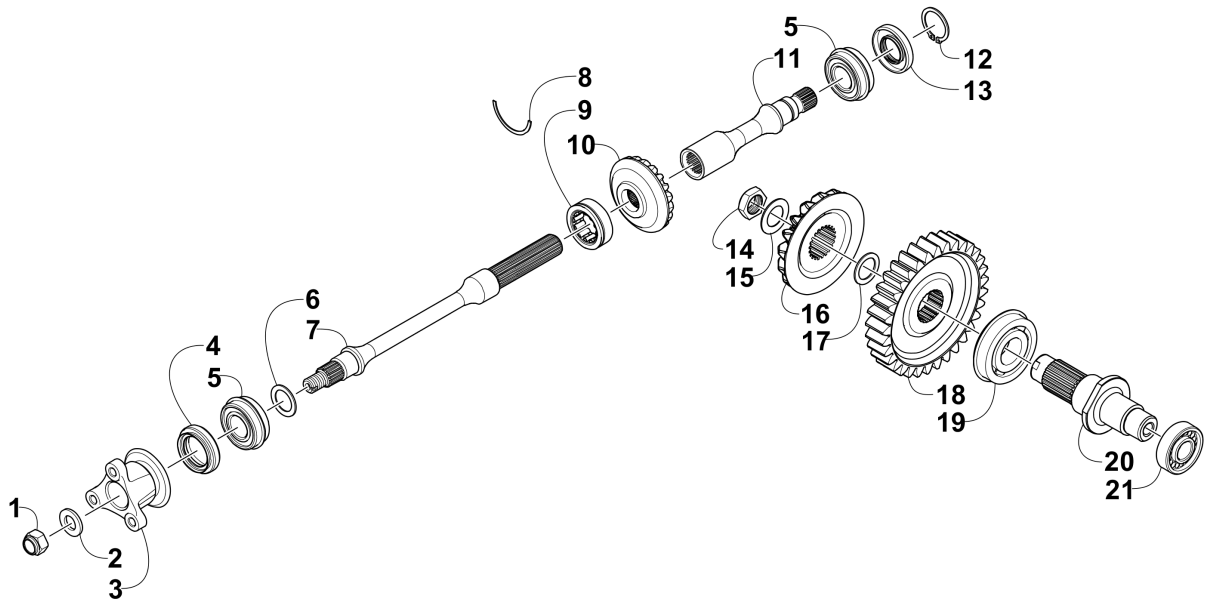
Item	Part No.	New Part	Qty	Name	Context	Footnote
1	0404-490		2	Shock Absorber		
2	0403-506		2	Bearing		
3	0403-507		4	Clip		
4	0403-504		4	O-Ring		
5	0404-513		4	Spacer		
6	0404-515		2	Bearing		
7	0404-514		2	Clip		
8	0404-510		2	Nut, Retainer		
9	0403-501		2	Screw, Set		
10	0404-511		2	Retainer - Lower Spring		
11	0403-503		2	Clip		
12	0504-995		2	Spring, Suspension - White		
13	8409-060		2	Screw, Cap		
14	8428-002		2	Nut, Lock		
15	0623-664		2	Washer		
16	8409-030		2	Screw, Cap		

ROPS ASSEMBLY [301294]



Item	Part No.	New Part	Qty	Name	Context	Footnote
1	5506-113		1	ROPS, Front - Assembly		
2	5411-509		1	Decal, "Arctic Cat"		
3	1423-140		24	Screw, Cap		
4	1423-161		24	Nut, Lock		
5	5506-454		1	Canopy, Middle Hoop - w/Decals	(inc. 6)	
6	3411-251		2	Decal, Warning - Handhold		
7	7506-007		1	ROPS - Rear Assembly	(inc. 8)	
8	3411-970		1	Decal, Warning - ROPS		
9	4411-075		1	Decal, Wildcat		

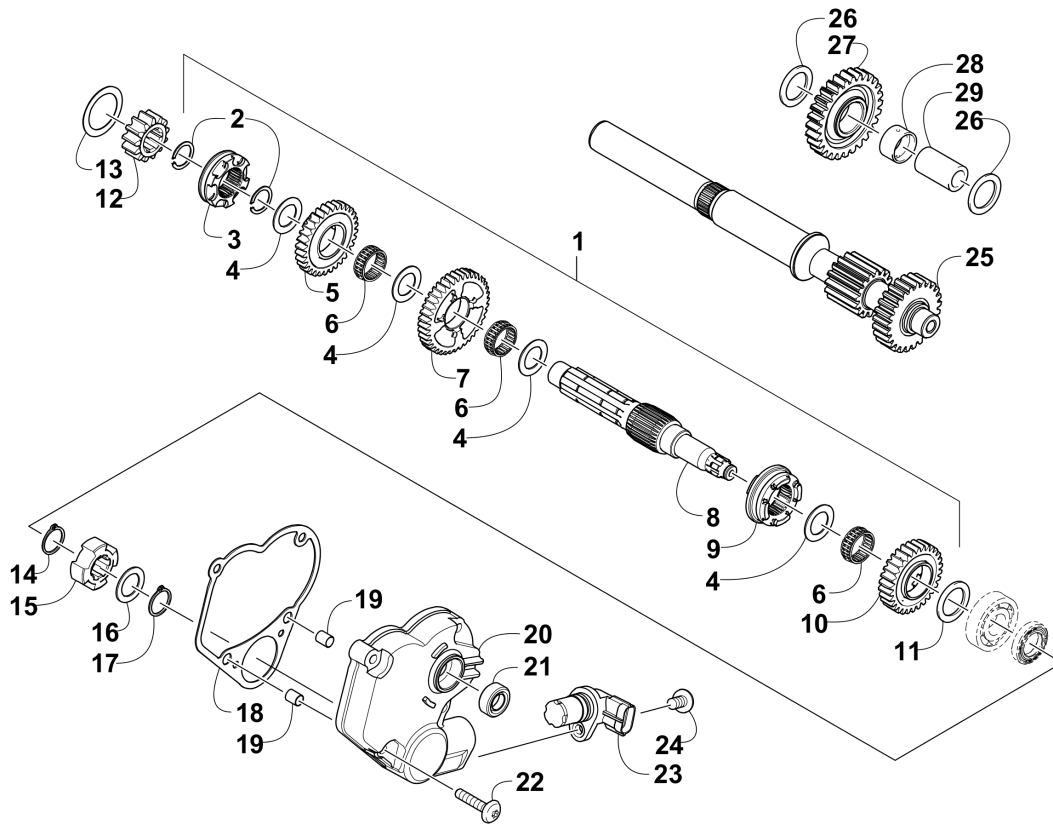
SECONDARY DRIVE ASSEMBLY [300153]



Item	Part No.	New Part	Qty	Name	Context	Footnote
1	0827-013		1	Nut		
2	0828-020		1	Washer		
3	0819-126		1	Flange, Output Joint		
4	0830-043		1	Seal, Oil		
5	0832-017		2	Bearing		
6	0828-021		AR	Shim, 25 x 34 x 0.25 mm		
6	0828-022		AR	Shim, 25 x 34 x 0.30 mm		
6	0828-023		AR	Shim, 25 x 34 x 0.70 mm		
6	0828-024		AR	Shim, 25 x 34 x 0.90 mm		
6	0828-025		AR	Shim, 25 x 34 x 0.95 mm		
6	0828-026		AR	Shim, 25 x 34 x 1.00 mm		
6	0828-027		AR	Shim, 25 x 34 x 1.05 mm		
6	0828-028		AR	Shim, 25 x 34 x 1.10 mm		
6	0828-029		AR	Shim, 25 x 34 x 1.15 mm		
7	0819-115		1	Shaft, Secondary Driven - Front		
8	0819-011		1	Ring, Driven Bearing		
9	0832-016		1	Bearing, Driven Gear		
10	0822-106		1	Gear, Secondary Driven		
11	0819-122		1	Shaft, Secondary Driven - Rear		
12	0831-011		1	Ring, Retaining		

Item	Part No.	New Part	Qty	Name	Context	Footnote
13	0830-214		1	Seal, Oil		
14	0827-070		1	Nut		
15	0828-019		1	Washer, Thrust		
16	0822-153		1	Gear, Secondary Drive		
17	0828-143		AR	Shim, 25.4 x 40 x 0.25 mm		
17	0828-144		AR	Shim, 25.4 x 40 x 0.30 mm		
17	0828-145		AR	Shim, 25.4 x 40 x 0.35 mm		
17	0828-146		AR	Shim, 25.4 x 40 x 0.90 mm		
17	0828-138		AR	Shim, 25.4 x 40 x 0.95 mm		
17	0828-139		AR	Shim, 25.4 x 40 x 1.00 mm		
17	0828-140		AR	Shim, 25.4 x 40 x 1.05 mm		
17	0828-141		AR	Shim, 25.4 x 40 x 1.10 mm		
17	0828-142		AR	Shim, 25.4 x 40 x 1.15 mm		
18	0822-150		1	Gear - 33T		
19	0832-083		1	Bearing w/ Snap Ring		
20	0822-152		1	Shaft, Output		
21	0832-050		1	Bearing		

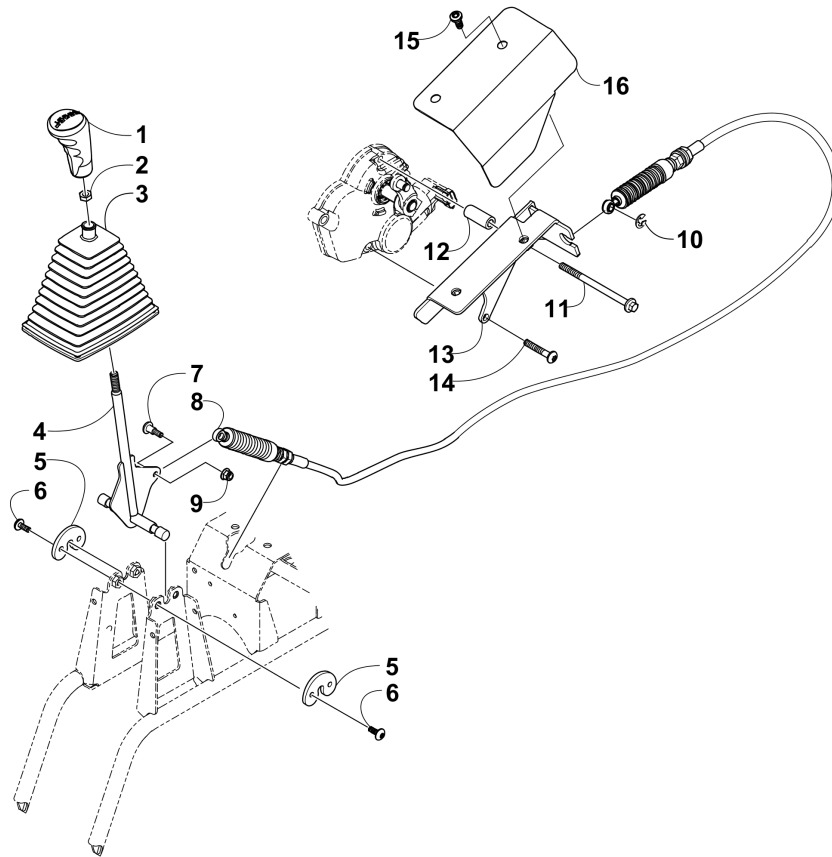
SECONDARY TRANSMISSION ASSEMBLY [300687]



Item	Part No.	New Part	Qty	Name	Context	Footnote
1	0822-144		1	Countershaft Assembly	(inc. 2-10)	
2	0831-085		2	Ring, Retaining		
3	0822-120		1	Gear Select, Reverse		
4	0822-121		4	Shim		
5	0822-119		1	Gear, Reverse Driven		
6	0832-082		3	Bearing		
7	0822-114		1	Gear, Driven - Low		
8	0822-113		1	Countershaft		
9	0822-145		1	Gear Select, Sliding		
10	0822-148		1	Gear, Driven - High		
11	0828-011		1	Washer		
12	0822-149		1	Gear, Drive		
13	0828-019		1	Washer, Thrust		
14	0831-040		1	Ring, Retaining		
15	0822-050		1	Trigger, Speedometer Sensor		
16	0828-069		1	Washer, Thrust		
17	0831-039		1	Ring, Retaining		
18	0830-194		1	Gasket		

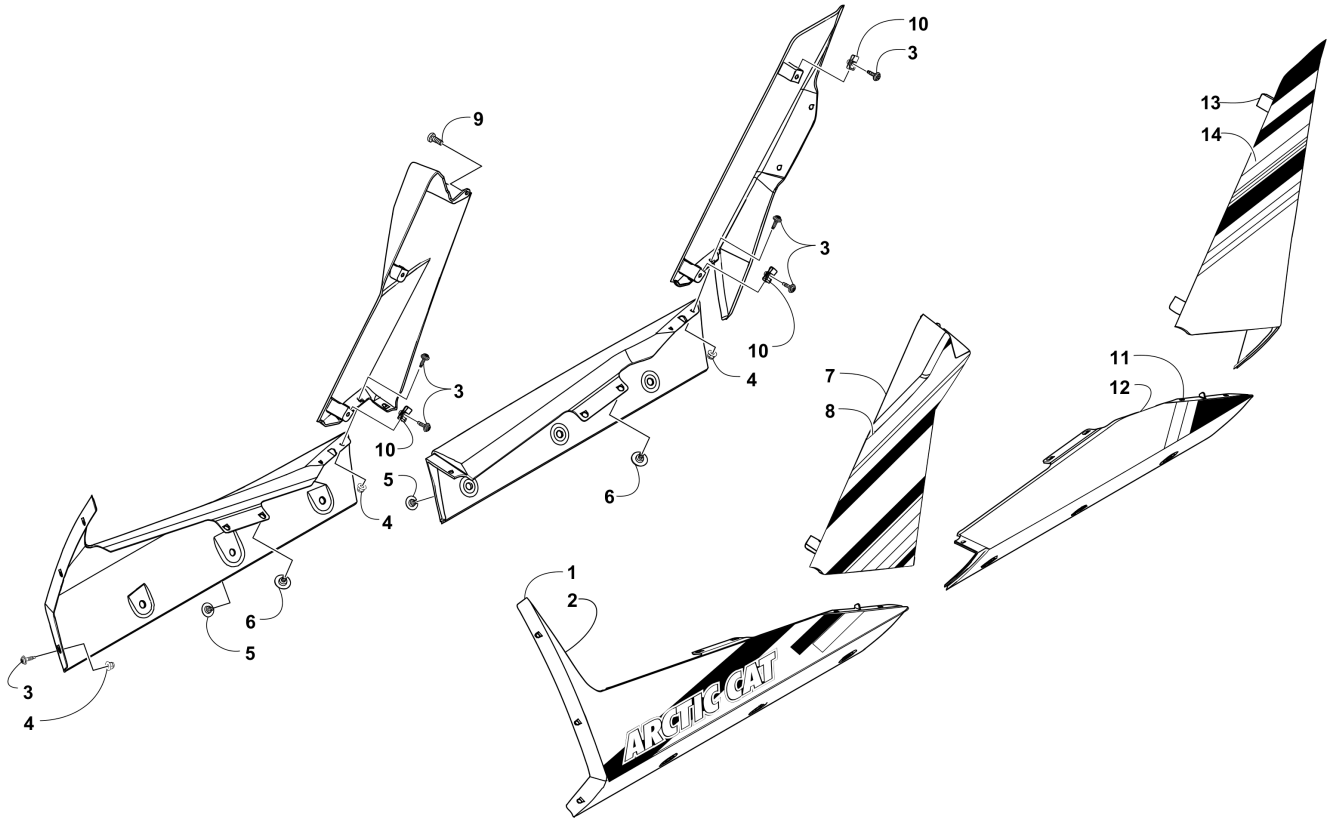
Item	Part No.	New Part	Qty	Name	Context	Footnote
19	0829-062		2	Pin, Dowel		
20	0806-105		1	Housing, Speedometer Sensor		
21	0830-044		1	Seal, Sub-Gear Shift Shaft		
22	8468-630		4	Screw, Machine		
23	0430-121		1	Sensor, Speedometer		
24	8468-620		1	Screw, Machine		
25	0822-151		1	Shaft, Input		
26	0828-016		2	Washer, Thrust		
27	0822-011		1	Gear, Reverse Idle		
28	0822-012		1	Bushing		
29	0822-015		1	Shaft, Reverse Idle		

SHIFTER ASSEMBLY [300787]



Item	Part No.	New Part	Qty	Name	Context	Footnote
1	2402-004		1	Knob, Shift		
2	0423-885		1	Nut		
3	2416-765		1	Boot, Shift Lever		
4	1502-841		1	Lever, Shift		
5	1402-275		2	Retainer, Shift Linkage		
6	0423-910		4	Screw, Machine		
7	0423-356		1	Screw, Shoulder		
8	0487-091		1	Cable, Shift - Heavy Duty		
9	8427-602		1	Nut, Lock		
10	0124-057		1	E-Ring		
11	1423-135		1	Screw, Cap		
12	1423-134		1	Spacer		
13	2502-191		1	Bracket, Shift Cable		
14	8468-635		2	Screw, Machine		
15	8477-620		3	Screw, Self-Tapping		
16	2402-222		1	Shield, Heat		

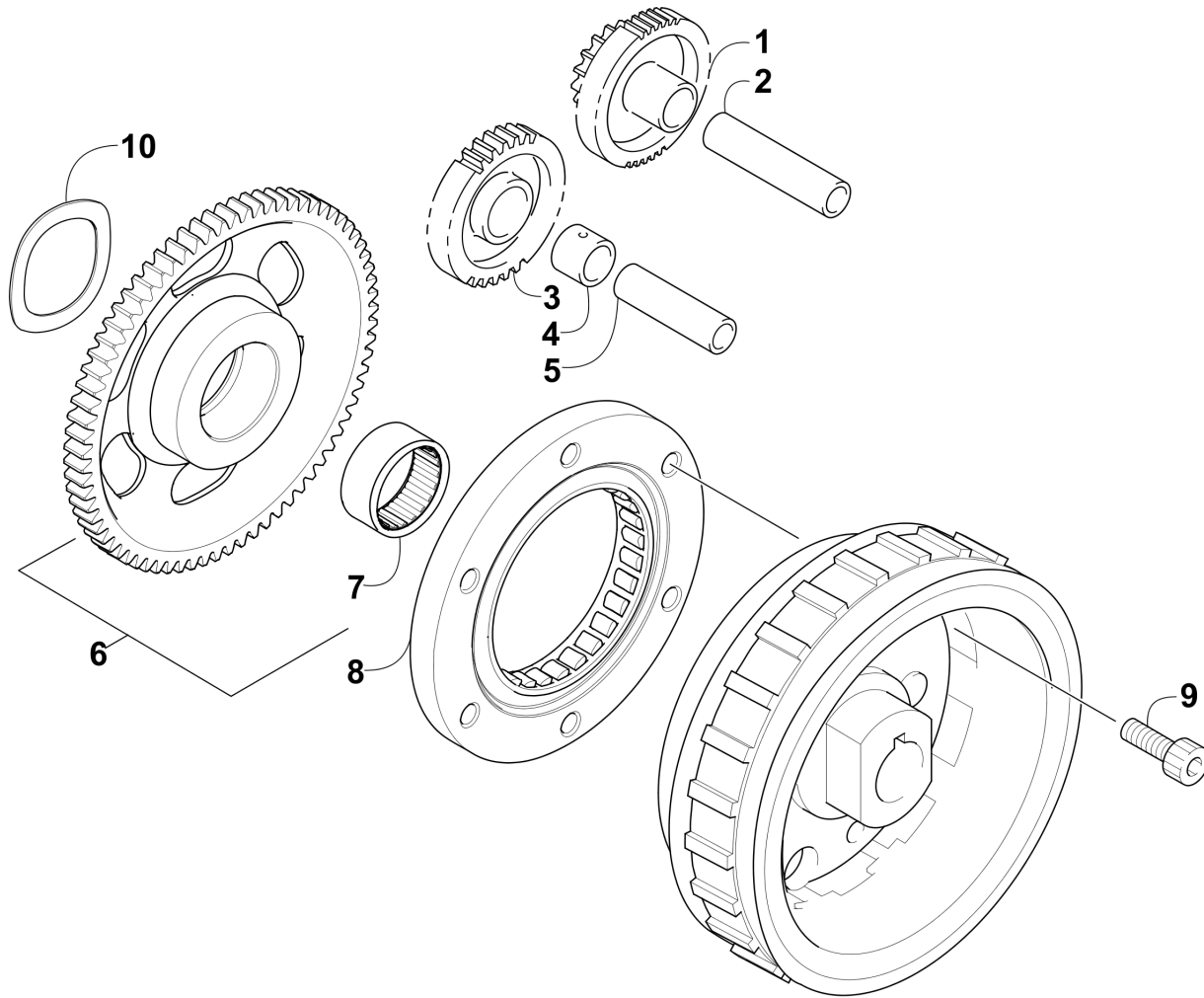
SIDE PANEL ASSEMBLY [301194]



Item	Part No.	New Part	Qty	Name	Context	Footnote
1	2416-988		1	Panel, Side - Lower Front - Right - Black		
1	2416-989		1	Panel, Side - Lower Front - Left - Black		
2	5411-194		1	Decal, Panel - Lower Front - Right		
2	5411-195		1	Decal, Panel - Lower Front - Left		
3	0423-609		16	Screw, Machine		
4	8427-602		12	Nut, Lock		
5	1423-133		12	Screw, Shoulder		
6	0423-101		8	Screw, Shoulder		
7	4406-174		1	Panel, Side - Upper Front - Right - Black		
7	4406-175		1	Panel, Side - Upper Front - Left - Black		
8	5411-196		1	Decal, Panel - Upper Front - Right		
8	5411-197		1	Decal, Panel - Upper Front - Left		
9	0423-419		2	Screw, Machine		
10	0423-577		8	Clip		
11	4506-844		1	Panel, Side - Lower Rear - Right - Black		
11	4506-845		1	Panel, Side - Lower Rear - Left - Black		
12	5411-198		1	Decal, Panel - Lower Rear - Right		
12	5411-199		1	Decal, Panel - Lower Rear - Left		
13	2416-990		1	Panel, Side - Upper Rear - Right - Black		
13	2416-991		1	Panel, Side - Upper Rear - Left - Black		

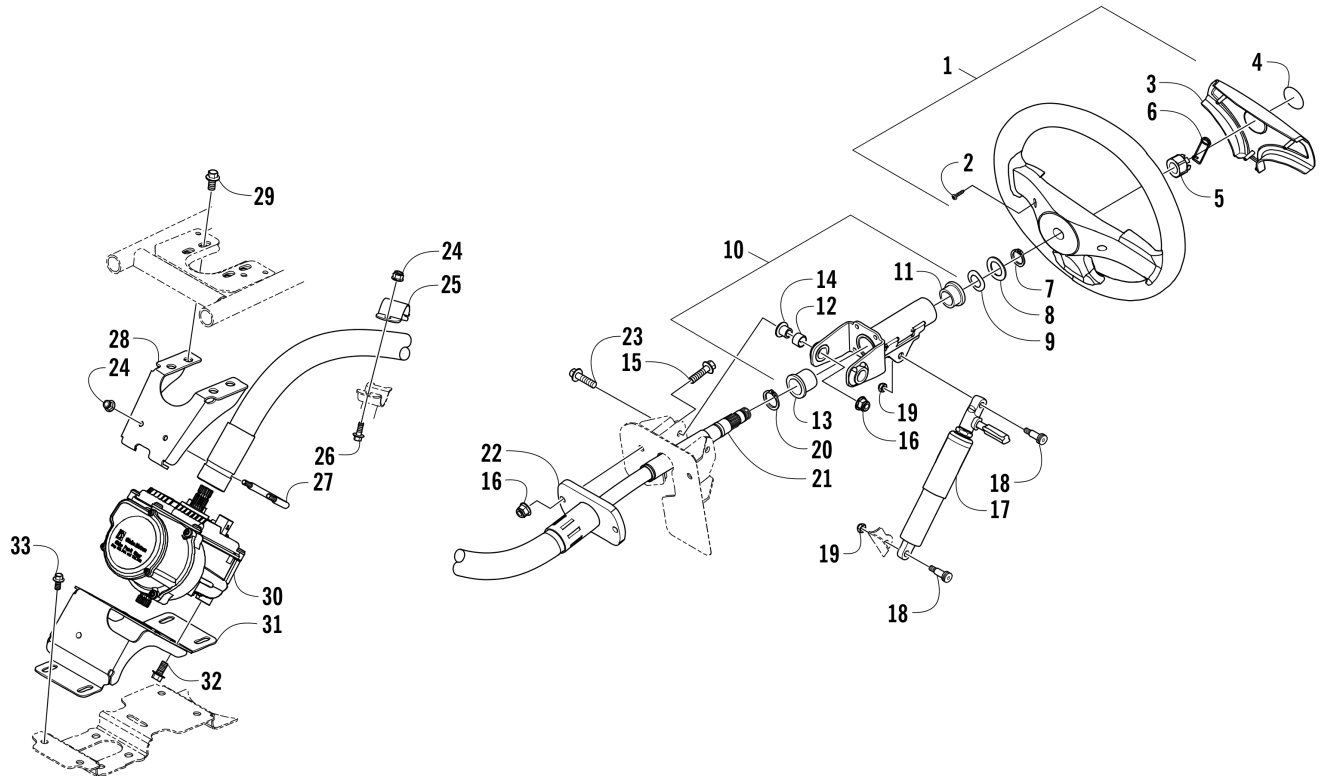
Item	Part No.	New Part	Qty	Name	Context	Footnote
14	5411-204		1	Decal, Panel - Upper Rear - Right		
14	5411-205		1	Decal, Panel - Upper Rear - Left		

STARTER CLUTCH ASSEMBLY [300331]



Item	Part No.	New Part	Qty	Name	Context	Footnote
1	0815-033		1	Gear, Starter - Idler - 44T/14T SC		2008 & 2009 Thundercat s see "Comments "
2	0829-031		1	Shaft, Starter Gear - 12 x 58.5		
3	0815-002		1	Gear, Starter Idler - No. 2		
4	0815-003		1	Spacer, Starter Idler Gear - No. 2		
5	0829-032		1	Shaft, Starter Gear - 12 x 44.7		
6	0815-004		1	Gear, Starter Clutch	(inc. 7)	
7	0832-079		1	Bearing, Needle Roller - 31 x 39 x 18		
8	0802-035		1	Clutch, Starter		
9	0826-069		6	Screw, Cap		
10	0828-113		1	Washer, Wave		

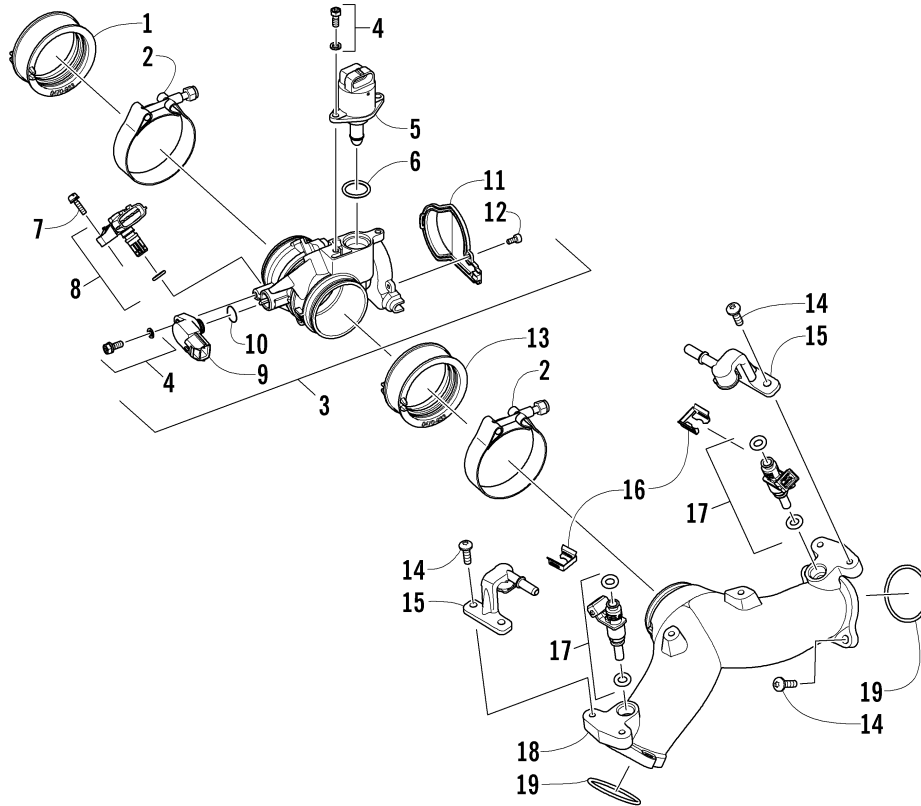
STEERING ASSEMBLY [301013]



Item	Part No.	New Part	Qty	Name	Context	Footnote
1	0502-884		1	Wheel, Steering - Assembly	(inc. 2-3)	
2	0423-613		3	Screw, Self-Tapping		
3	0405-239		1	Cap, Steering Wheel		
4	1411-798		1	Decal, Steering Wheel		
5	0423-884		1	Nut		
6	1423-045		1	Clip, Retaining		
7	1423-110		1	Ring, Retaining		
8	0828-071		1	Washer		
9	0423-558		1	Washer		
10	0505-721		1	Bracket, Mounting - Tilt Steering	(inc. 11-13)	
11	0405-472		1	Bushing		
12	0405-405		2	Bushing		
13	0405-473		1	Bushing		
14	0423-669		2	Spacer		
15	8408-831		2	Screw, Cap		
16	8427-802		4	Nut, Lock		
17	0405-468		1	Lift, Support		
18	1423-250		2	Screw, Shoulder		
19	0623-056		2	Nut, Lock		
20	1423-111		1	Ring, Retaining		

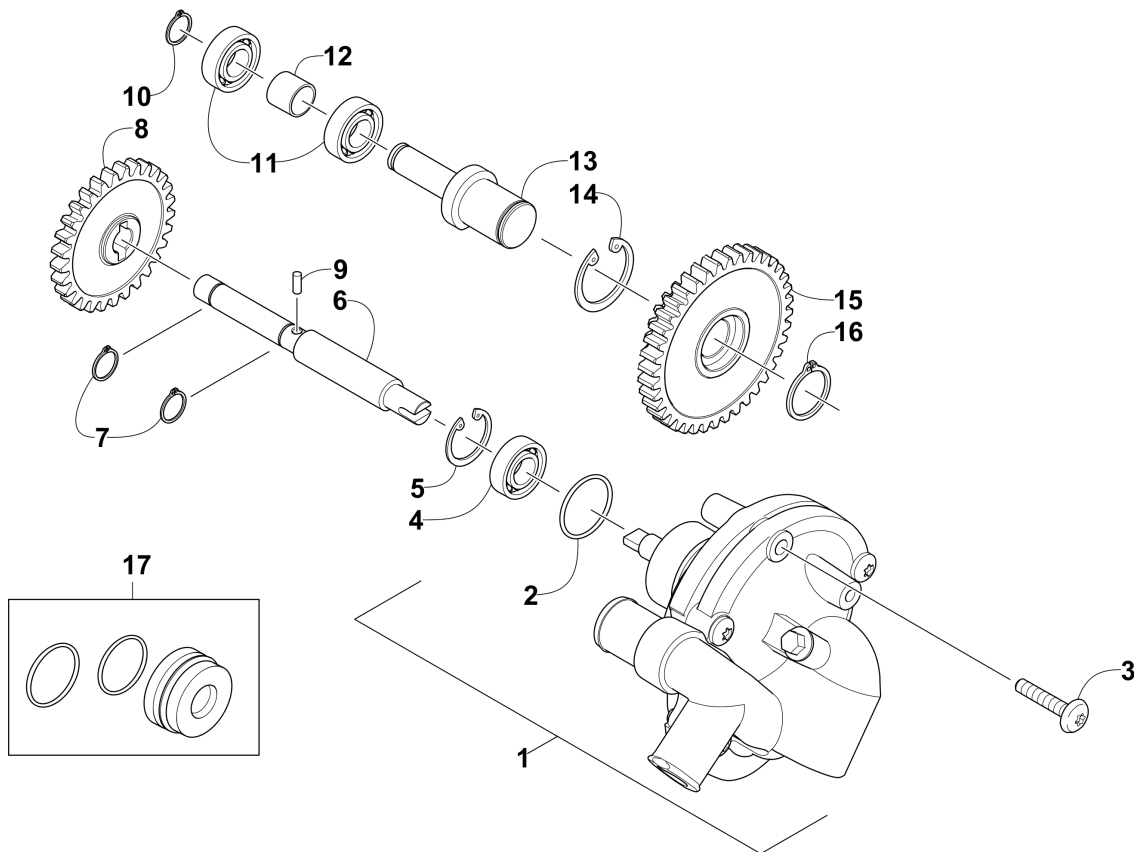
Item	Part No.	New Part	Qty	Name	Context	Footnote
21	0405-403		1	Shaft, Steering		
22	0405-506		1	Bracket, Mounting - Steering		
23	8408-825		2	Screw, Cap		
24	8427-602		3	Nut, Lock		
25	0505-765		1	Bracket, Retaining		
26	8408-617		1	Screw, Cap		
27	1423-203		1	U-Clamp		
28	0505-835		1	Bracket, Mounting		
29	8408-816		4	Screw, Cap		
30	0505-956		1	Assembly, Electronic Power Steering		
31	4506-619		1	Bracket, Mounting		
32	8409-020		4	Screw, Cap		
33	8408-818		4	Screw, Cap		

THROTTLE BODY ASSEMBLY [98636]



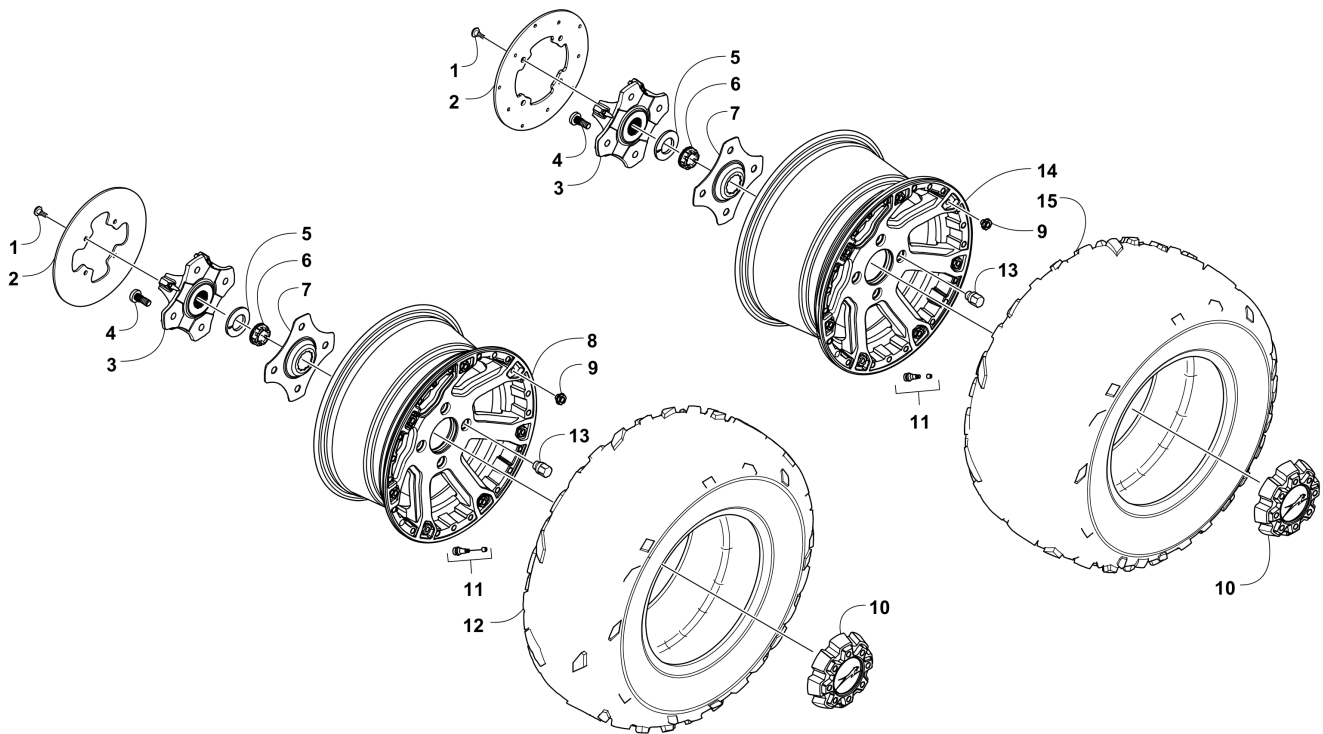
Item	Part No.	New Part	Qty	Name	Context	Footnote
1	0470-932		1	Boot, Intake		
2	1423-041		2	Clamp		
3	0570-390		1	Throttle Body - Assembly	(inc. 4-10)	
4	1423-081		3	Screw, Cap		
5	0824-054		1	Valve, Idle Speed Control		
6	0832-088		1	Seal		
7	1423-080		1	Screw, Machine		
8	0824-052		1	Sensor, T-MAP		
9	0824-067		1	Sensor, Throttle Position		
10	3306-150		1	O-Ring		
11	0470-961		1	Cover		
12	1423-095		1	Screw, Cap		
13	0470-933		1	Boot, Intake		
14	8468-620		8	Screw, Machine		
15	0470-885		2	Rail, Fuel		
16	0470-889		2	Clip, Retaining		
17	0470-910		2	Injector, Fuel		
18	0570-380		1	Manifold, Intake		
19	0830-090		2	O-Ring		

WATER PUMP ASSEMBLY [300151]



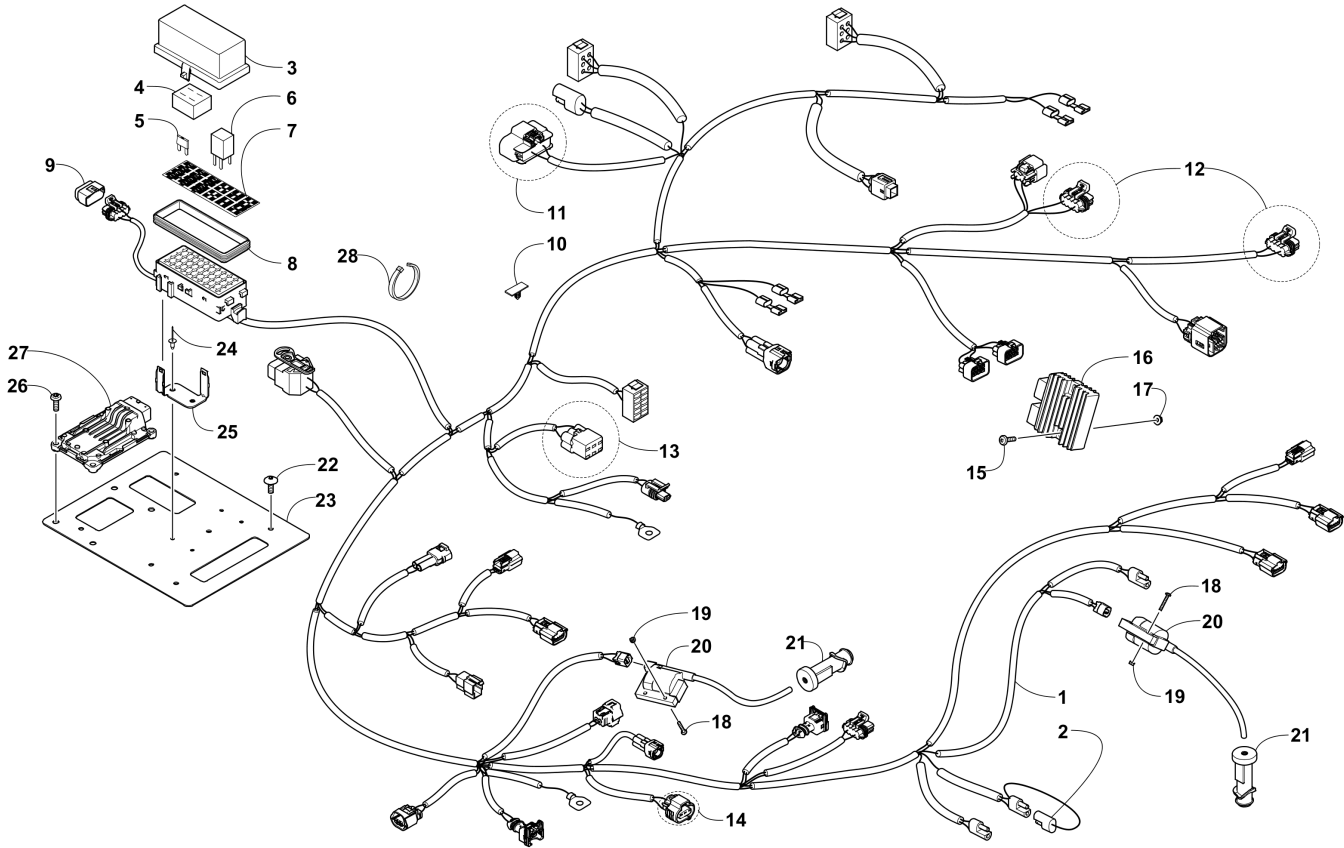
Item	Part No.	New Part	Qty	Name	Context	Footnote
1	0813-071		1	Pump, Water - Assembly	(inc. 2)	
2	0830-029		1	O-Ring		
3	8468-625		3	Screw, Machine		
4	0832-084		1	Bearing		
5	0831-086		1	Circlip		
6	0813-041		1	Shaft, Driven Gear		
7	0831-010		2	Ring, Retaining		
8	0813-043		1	Gear, Driven		
9	0829-009		1	Pin		
10	0831-002		1	Ring, Retaining		
11	0832-046		2	Bearing		
12	0813-028		1	Spacer, Idler - Water Pump		
13	0813-060		1	Shaft, Water Pump Idler Gear		
14	0831-004		1	Ring, Retaining		
15	0813-061		1	Gear, Idler - Water Pump - Drive		
16	0831-040		1	Ring, Retaining		
17			1	Kit, Seal - Water Pump		

WHEEL AND TIRE ASSEMBLY [301203]



Item	Part No.	New Part	Qty	Name	Context	Footnote
1	0423-557		16	Screw, Shoulder		
2	1436-807		4	Kit, Brake Disc	(inc. 1)	
3	1502-971		4	Hub, Wheel	(inc. 4)	
4	0402-974		16	Stud		
5	2402-088		4	Washer		
6	1423-164		4	Nut, Castle		
7	2402-087		4	Plate, Retaining		
8	2402-017		2	Wheel - Front	(inc. 9-10)	
9	1423-079		28	Insert, Cap Screw		
10	2402-003		4	Cap, Wheel		
11	0402-064		4	Stem, Valve - w/Cap		
12	2402-287		2	Tire - Front - Duro Powergrip V2 - 27X11-14		
13	0423-618		16	Nut, Lug - Chrome		
14	2402-018		2	Wheel - Rear	(inc. 9-10)	
15	2402-288		2	Tire - Rear - Duro Powergrip V2 - 27X11-14		

WIRING HARNESS ASSEMBLY [300788]



Item	Part No.	New Part	Qty	Name	Context	Footnote
1	0486-525		1	Harness, Main	(inc. 2-10)	
2	0486-164		1	Tether, Accessory Connector		
3	0430-085		1	Cover, Fuse Block		
4	0430-037		1	Holder, Fuse		
5	0430-032		7	Fuse - 10 Amp		
5	0430-031		4	Fuse - 15 Amp		
5	0430-030		4	Fuse - 30 Amp		
6	0430-045		6	Relay (4-pin) 20 amp		
7	2411-883		1	Decal, Fuse Block		
8	0430-086		1	Seal		
9	0430-103		1	Cover, Diagnostics Connector		
10	0430-102		AR	Clip, Routing		
11	1436-415		1	Repair Kit, Connector - LCD Gauge		
12	1436-487		AR	Repair Kit, Connector - Headlight		
13	1436-416		1	Repair Kit, Connector - Tilt Sensor		
14	1436-484		1	Repair Kit, Connector - 4P - Map		
15	8476-625		2	Screw, Machine		
16	0824-072		1	Regulator, Voltage		
17	0623-038		2	Nut w/Washer		
18	8468-425		4	Screw, Machine		

Item	Part No.	New Part	Qty	Name	Context	Footnote
19	0423-493		4	Nut w/Washer		
20	0824-071		2	Coil, Ignition - Assembly	(inc. 21)	
21	0824-049		2	Cap, Spark Plug		
22	0623-784		4	Screw, Self-Tapping		
23	4506-731		1	Tray, Electrical		
24	8060-686		2	Rivet		
25	0745-388		1	Bracket Mounting- PDM		
26	8476-620		4	Screw, Machine		
27	0530-141		1	ECM		
28	0123-788		AR	Tie, Cable - 8 in.		
28	0123-903		AR	Tie, Cable - 11.5 in.		



The illustrations used in this Parts Manual are for reference to replacement part numbers only and are not to be used for assembly. For assembly procedures, use an Arctic Cat Service Manual. For a complete list of related items, refer to the current accessory catalog. Once printed, Arctic Cat does not guarantee the accuracy of the information contained in this manual. Our parts lists and illustrations are constantly revised to reflect part number changes, discrepancies, and enhancements.

®™ Trademarks of Arctic Cat Inc., Thief River Falls, MN 56701