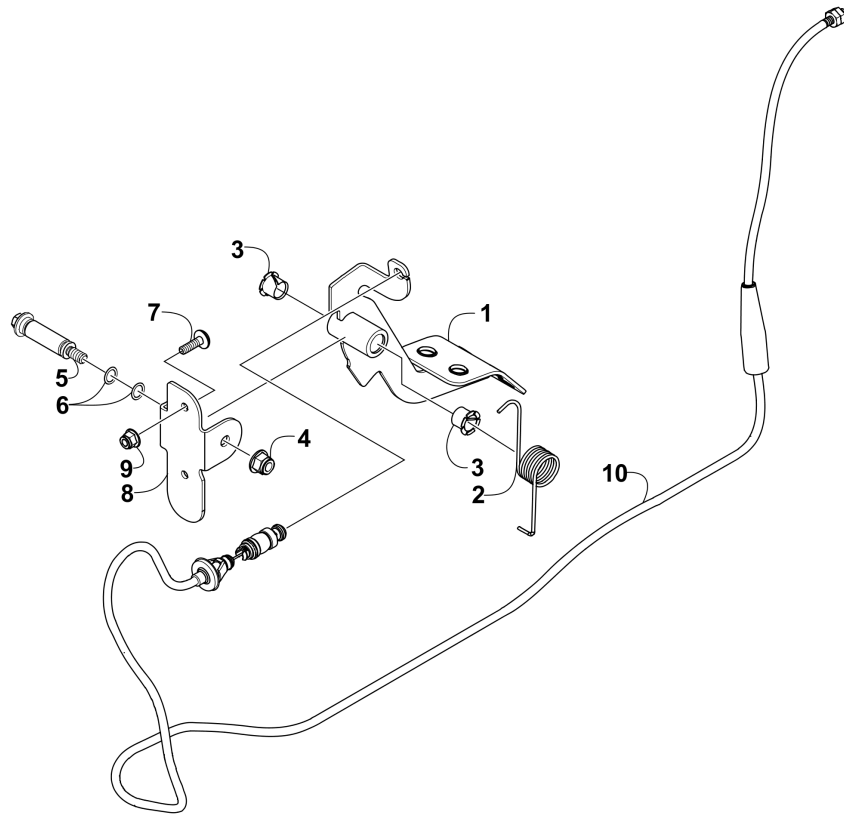


2016 WILDCAT TRAIL SE EPS

Contents

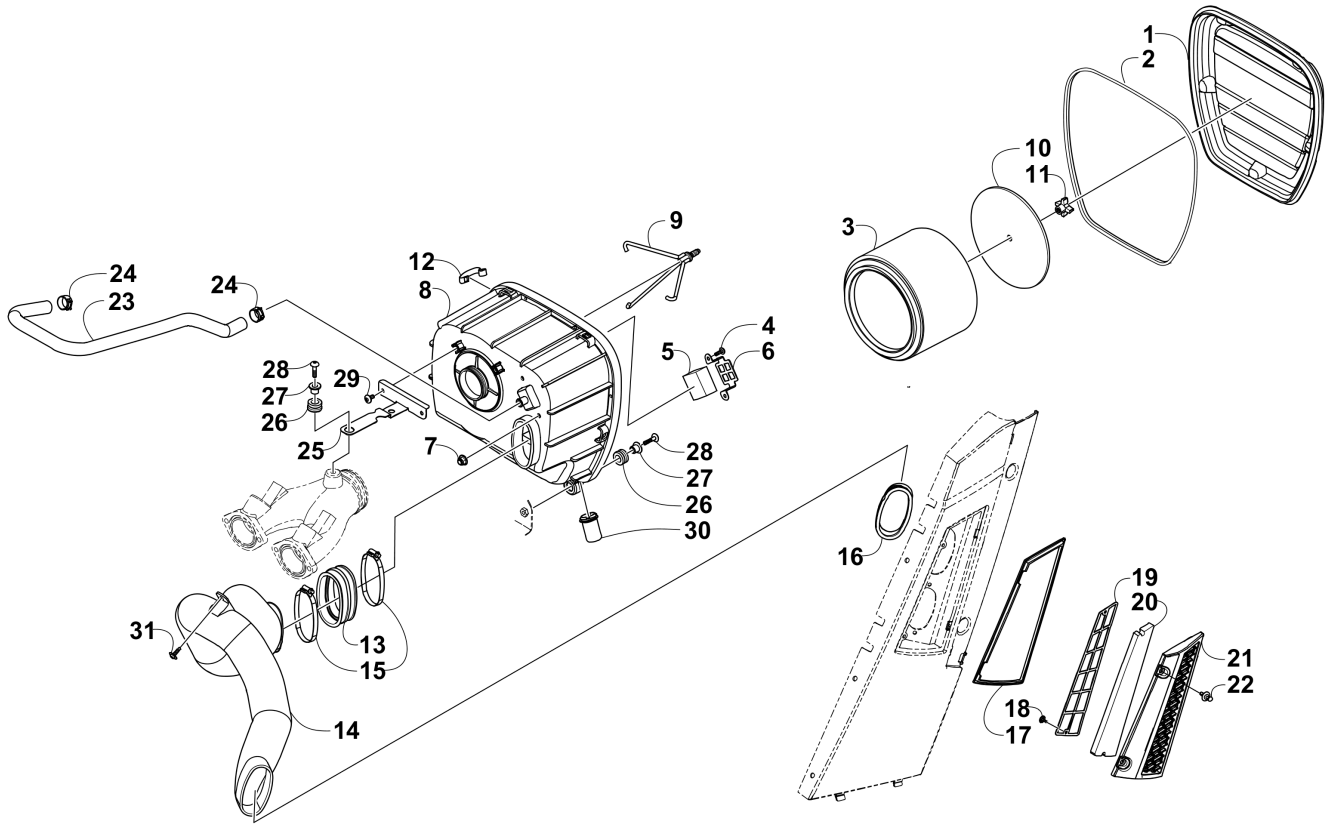
ACCELERATOR ASSEMBLY [300017]	1
AIR INTAKE ASSEMBLY [300019]	2
BATTERY AND STARTER MOTOR ASSEMBLY [300029]	4
CARGO BOX AND TAILLIGHT ASSEMBLY [301321]	5
CASE/BELT COOLING AND CLUTCH COVER ASSEMBLIES [300020]	6
CLUTCH ASSEMBLIES [300357]	7
CONSOLE AND FLOOR PANEL ASSEMBLY [301104]	9
COOLING ASSEMBLY [300919]	11
CRANKCASE ASSEMBLY [300033]	13
CRANKSHAFT AND PISTON ASSEMBLY [300034]	14
CYLINDER AND TIMING CHAIN ASSEMBLY [300031]	15
CYLINDER HEAD AND CAMSHAFT/VALVE ASSEMBLY [300032]	16
DASH ASSEMBLY [301322]	19
DOOR ASSEMBLY [301323]	21
ENGINE AND EXHAUST [301108]	23
FRAME AND RELATED PARTS [300006]	25
FRONT AND SIDE PANEL ASSEMBLIES [301324]	26
FRONT DRIVE GEARCASE ASSEMBLY [301030]	27
FRONT DRIVE SYSTEM ASSEMBLY [300023]	29
FRONT SUSPENSION ASSEMBLY [301325]	30
GAS TANK ASSEMBLY [301153]	32
HEADLIGHTS [301057]	34
HYDRAULIC BRAKE ASSEMBLY [300016]	35
MAGNETO AND PTO COVERS [300039]	37
MAGNETO ASSEMBLY [300037]	38
OIL PAN AND STRAINER ASSEMBLY [300035]	39
OIL PUMP AND WATER PUMP ASSEMBLIES [300036]	40
REAR DRIVE SYSTEM [301058]	42
REAR SUSPENSION ASSEMBLY [301326]	44
ROPS ASSEMBLY [301060]	46
SEAT ASSEMBLY [301061]	47
SHIFTER ASSEMBLY [300018]	49
STEERING ASSEMBLY [301141]	50
SWAY BAR ASSEMBLIES [301107]	52
THROTTLE BODY ASSEMBLY [300030]	53
TRANSAXLE ASSEMBLY [301064]	55
TRANSAXLE CASE/COVER [301065]	57
WHEEL AND TIRE ASSEMBLY [301327]	59
WIRING HARNESS ASSEMBLY [301156]	60

ACCELERATOR ASSEMBLY [300017]



Item	Part No.	Qty	Name	Context	Footnote
1	2502-068	1	Pedal, Accelerator		
2	0405-233	1	Spring		
3	2402-213	2	Bushing		
4	8427-802	1	Nut, Lock		
5	1423-272	1	Screw, Machine		
6	1423-273	2	O-Ring		
7	8477-616	2	Screw, Machine		
8	2502-069	1	Bracket, Accelerator Pedal		
9	8427-602	2	Nut, Lock		
10	0487-088	1	Cable, Accelerator		

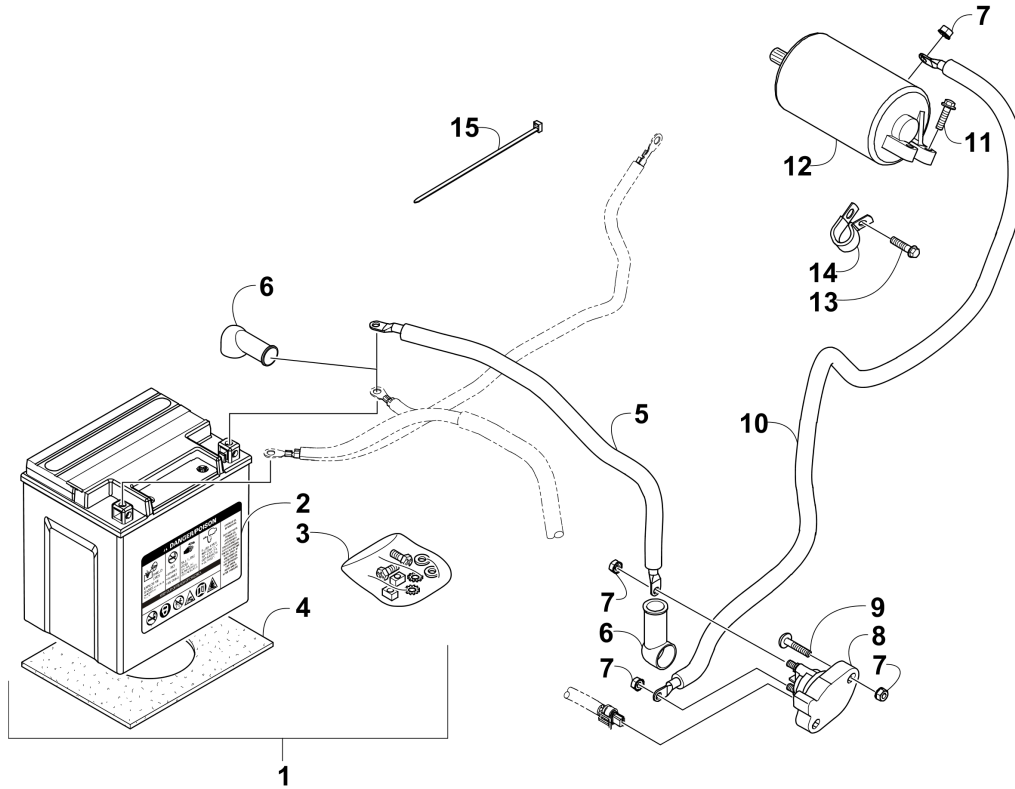
AIR INTAKE ASSEMBLY [300019]



Item	Part No.	Qty	Name	Context	Footnote
1	0470-994	1	Cover, Air Intake		
2	0470-995	1	Gasket		
3	0470-996	1	Filter, Air		
4	8477-516	2	Screw, Machine		
5	1470-002	1	Filter, Crank		
6	1470-003	1	Retainer - Crank Vent Filter		
7	8427-502	2	Nut, Lock		
8	0570-373	1	Housing, Air Intake		
9	1470-007	1	Retainer, Air Filter		
10	0470-981	1	Support, Air Filter		
11	1423-251	1	Knob		
12	0423-455	5	Clip, Spring		
13	0470-999	1	Boot, Air Cleaner - Inlet		
14	0470-986	1	Duct, Air cleaner		
15	0423-057	2	Clamp		
16	1470-056	1	Gasket, Intake Duct		
17	1470-057	1	Gasket, Intake Vent		
18	0623-797	2	Screw, Self-Tapping		
19	1470-031	1	Retainer, Intake Filter		
20	1470-032	1	Filter, Intake		

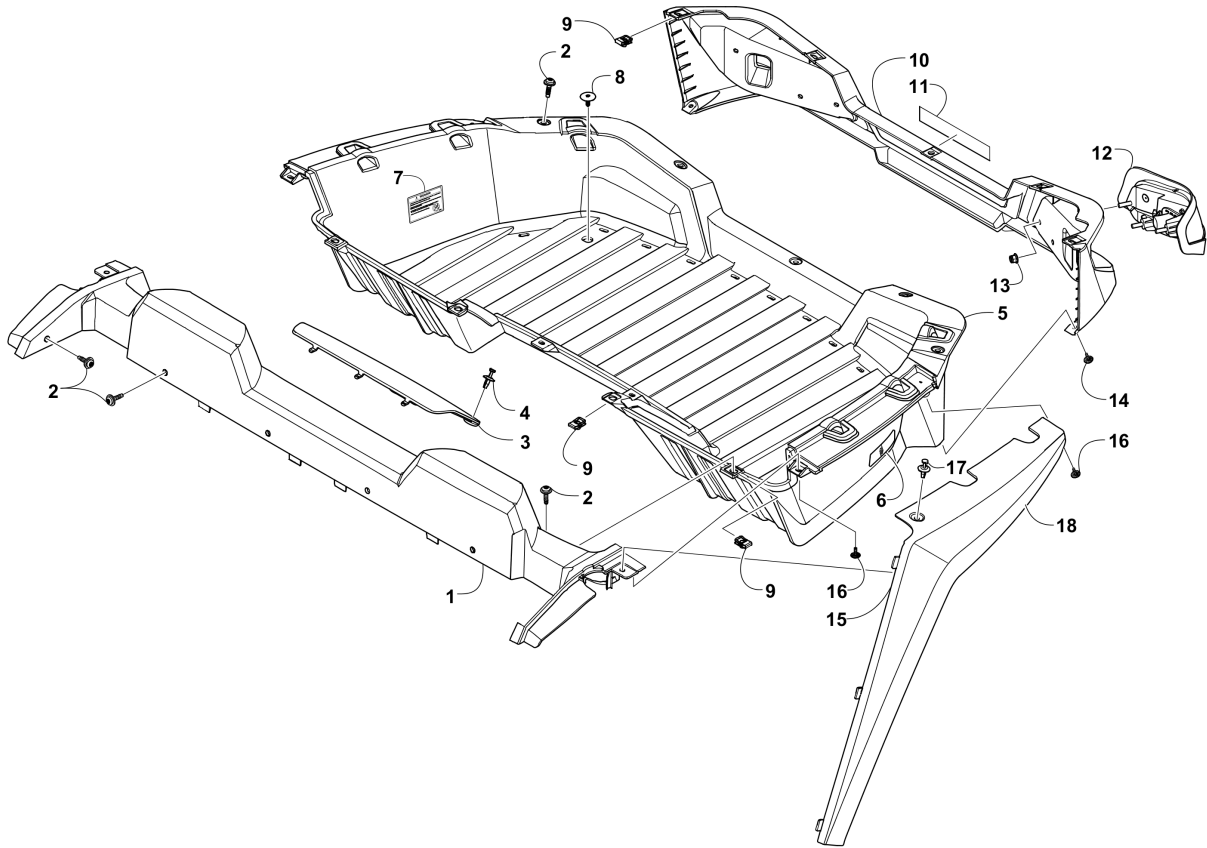
Item	Part No.	Qty	Name	Context	Footnote
21	4406-265	1	Fascia, Side Vent		
22	0623-362	2	Clip, Retaining		
23	0470-982	1	Hose, Crank Vent		
24	0423-045	2	Clamp, Hose		
25	0470-983	1	Bracket, Mounting - Air Cleaner		
26	0423-465	3	Grommet		
27	0423-669	3	Spacer		
28	8476-625	3	Screw, Machine		
29	8468-613	2	Screw, Machine		
30	0470-947	1	Valve, Drain		
31	1423-198	1	Screw, Machine		

BATTERY AND STARTER MOTOR ASSEMBLY [300029]



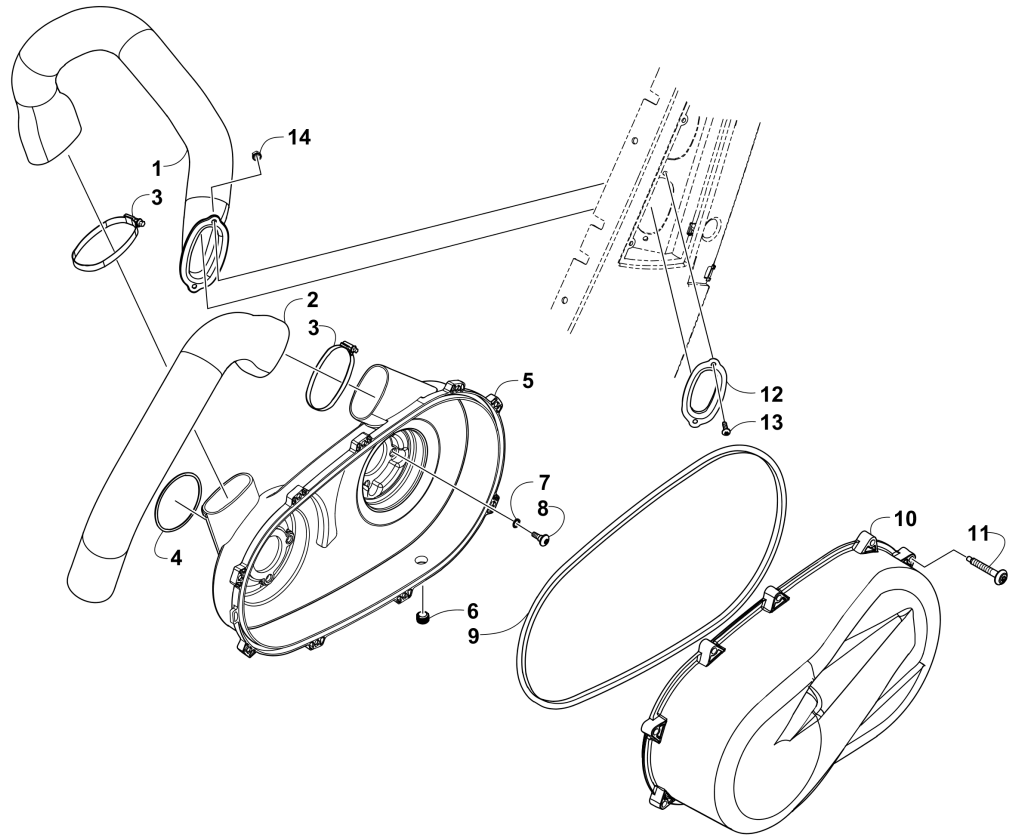
Item	Part No.	Qty	Name	Context	Footnote
1	0445-115	1	Battery	(inc. 2-3)	
2	0645-430	1	Decal, Warning		
3	0445-082	1	Kit, Hardware		
4	0417-022	1	Pad, Battery		
5	0445-109	1	Cable, Battery/Soleniod		
6	0645-019	2	Boot, Terminal		
7	0623-038	6	Nut w/Washer		
8	0445-058	1	Solenoid, Starter Relay		
9	8476-625	2	Screw, Machine		
10	0445-108	1	Cable, Solenoid/Starter		
11	3304-002	2	Bolt		
12	3307-029	1	Motor, Starter		
13	0423-538	2	Screw, Self-Tapping		
14	1623-675	2	Clamp, Routing		
15	0623-285	AR	Cable, Tie - Double Loop		

CARGO BOX AND TAILLIGHT ASSEMBLY [301321]



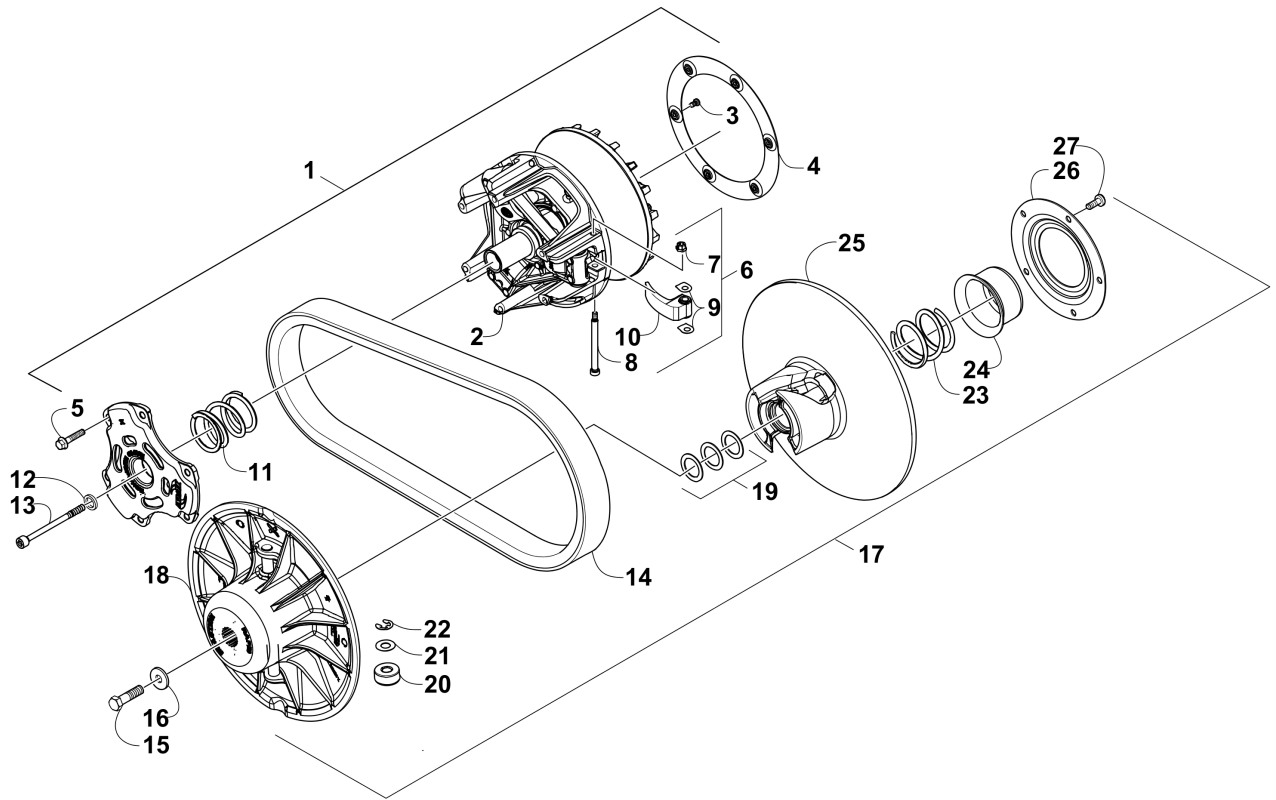
Item	Part No.	Qty	Name	Context	Footnote
1	5506-529	1	Panel, Headrest - Orange		
2	0423-609	15	Screw, Machine		
3	2416-825	1	Cover, Access		
4	0423-535	2	Rivet, Reinstallable		
5	7506-696	1	Box, Cargo - w/Decals	(inc. 6-7)	
6	2411-974	2	Decal, Reflector - Red		
7	5411-504	1	Decal, Warning - Cargo Box		
8	1423-109	4	Screw, Self-Tapping		
9	0423-577	9	Clip, U-Nut		
10	4406-264	1	Fascia, Rear		
11	2411-944	1	Decal, Arctic Cat		
12	0509-074	1	Taillight - Right		
12	0509-075	1	Taillight - Left		
13	8427-602	6	Nut, Lock		
14	0623-784	2	Screw, Self-Tapping		
15	5506-560	1	Fender, Rear - Right - Orange		
15	5506-561	1	Fender, Rear - Left - Orange		
16	0623-797	4	Screw, Self-Tapping		
17	0623-362	4	Clip, Retaining		
18	5411-107	2	Decal, Fender - Rear - Orange		

CASE/BELT COOLING AND CLUTCH COVER ASSEMBLIES [300020]



Item	Part No.	Qty	Name	Context	Footnote
1	0413-347	1	Duct, Inlet		
2	0413-313	1	Duct, Outlet		
3	0423-018	2	Clamp, Hose		
4	0830-223	2	O-Ring		
5	0806-173	1	Cover, Inner - Assembly		
6	0806-160	1	Plug, Drain		
7	0830-227	8	O-Ring		
8	1423-220	8	Screw, Shoulder		
9	0806-161	1	Seal, Cover		
10	0806-141	1	Cover, Outer		
11	1423-221	9	Screw, Cap		
12	4406-606	1	Plate, Clutch Intake		
13	8468-620	2	Screw, Machine		
14	0623-038	2	Nut w/Washer		

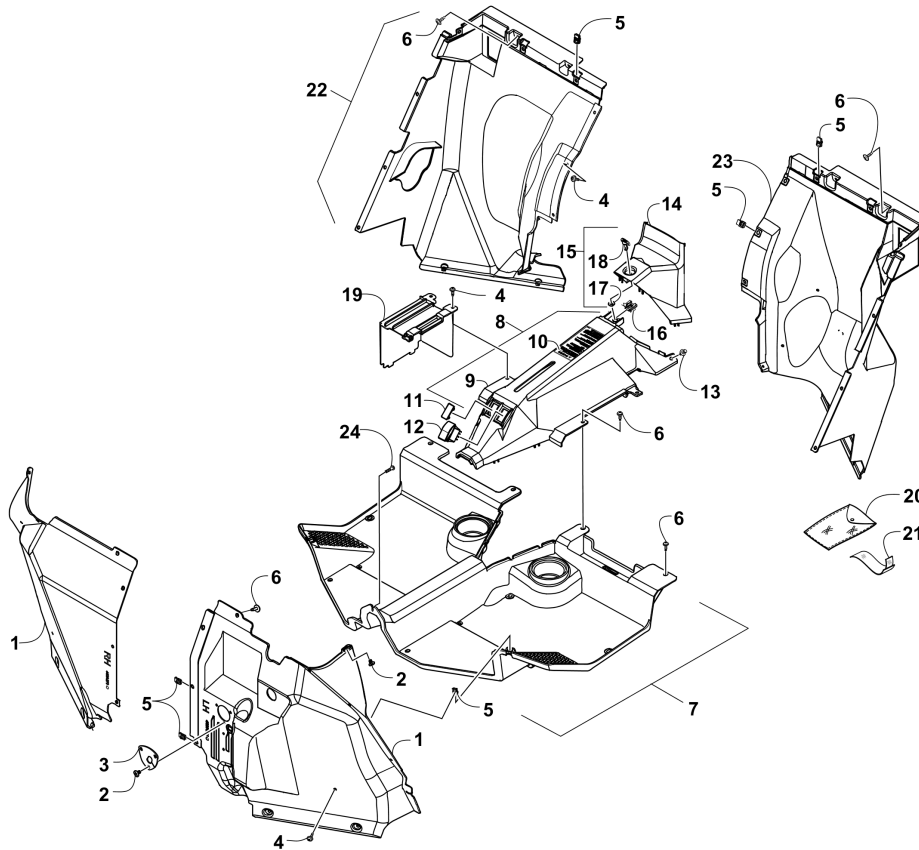
CLUTCH ASSEMBLIES [300357]



Item	Part No.	Qty	Name	Context	Footnote
1	0823-376	1	Clutch, Drive - Calibrated	(inc. 2-11)	
2	0823-452	1	Clutch, Drive - Uncalibrated	(inc. 3-5)	
3	0623-914	6	Screw, Self-Tapping		
4	0823-424	1	Cover, Sheave		
5	0823-402	6	Screw, Cap		
6	0823-426	1	Kit, Cam Arm	(inc. 7-9)	
7	0823-399	3	Nut, Lock		
8	0823-396	3	Pin, Cam Arm		
9	0823-397	6	Washer, Thrust		
10	0823-450	3	Arm, Cam		
11	0823-451	1	Spring, Drive Clutch - Black/Silver		
12	1623-649	1	Washer, High Collar		
13	1623-792	1	Bolt, Clutch		
14	0823-497	1	Belt, Drive		
15	8400-060	1	Screw, Cap		
16	1423-188	1	Washer		
17	0823-541	1	Clutch, Driven - Assembly	(inc. 18-27)	
18	0	1	Sheave, Stationary		Not Serviced Individually
19	1423-189	AR	Shim, 21 x 30 x 1.00 mm		

Item	Part No.	Qty	Name	Context	Footnote
19	1423-219	AR	Shim, 27 x 27 x 0.50 mm		
20	0823-438	2	Roller		
21	0823-439	2	Washer, Thrust		
22	0823-440	2	Ring, Retaining		
23	0823-443	1	Spring		
24	0823-444	1	Cup, Spring		
25	0	1	Sheave, Movable		Not Serviced Individually
26	0823-445	1	Plate, Retaining		
27	0823-446	5	Screw		

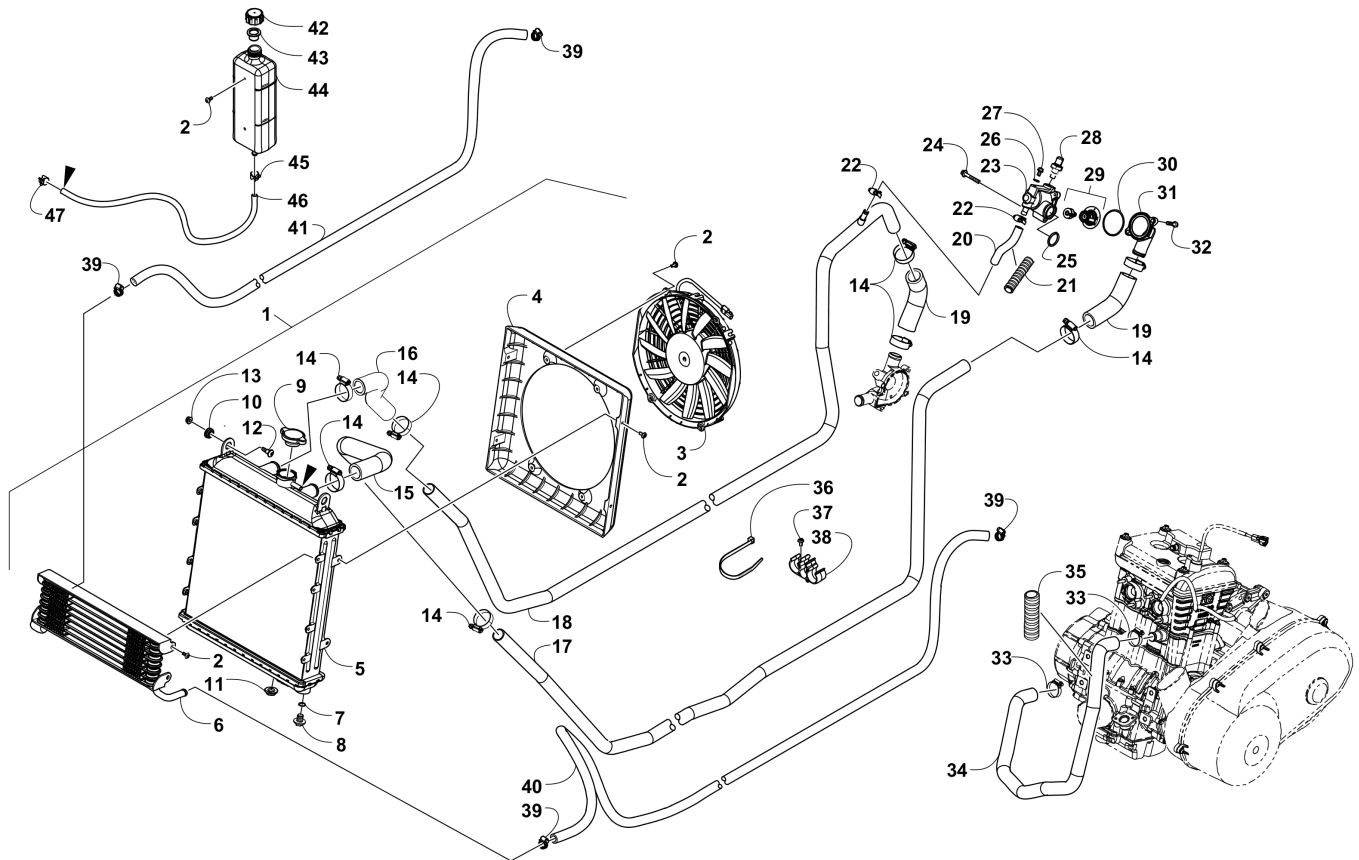
CONSOLE AND FLOOR PANEL ASSEMBLY [301104]



Item	Part No.	Qty	Name	Context	Footnote
1	4406-270	1	Panel, Front Splash - Right		
1	4406-271	1	Panel, Front Splash - Left		
2	0623-544	AR	Plug		
3	4406-346	1	Shield, Splash - Steering Shaft		
4	0423-609	21	Screw, Machine		
5	0423-577	16	Clip, U-Nut		
6	1423-198	26	Screw, Machine		
7	7506-070	1	Panel, Floor - Assembly	(inc. 8)	
8	0417-024	2	Seal, Floor		
9	5506-603	1	Center Console w/ Warning Decal	(inc. 10)	
10	3411-780	1	Decal, Warning - Reverse		
11	0409-070	1	Plug, Switch Hole		
12	0409-071	1	Switch, Reverse Override		
13	0623-362	2	Clip, Retaining		
14	4406-268	1	Panel, Oil Access		
15	1423-218	1	Fastener, Quarter-Turn - Assembly	(inc. 16-18)	
16	1423-208	1	Receiver		
17	1423-209	1	Retainer		
18	1423-207	1	Knob		
19	0445-104	1	Cover, Battery		

Item	Part No.	Qty	Name	Context	Footnote
20	0544-025	1	Kit, Tool		
21	0444-291	1	Retainer, Velcro		
22	7506-688	1	Panel, Rear Splash - Assembly - Right		
23	4406-273	1	Panel, Rear Splash - Left		
24	1423-281	1	Screw, Shoulder		

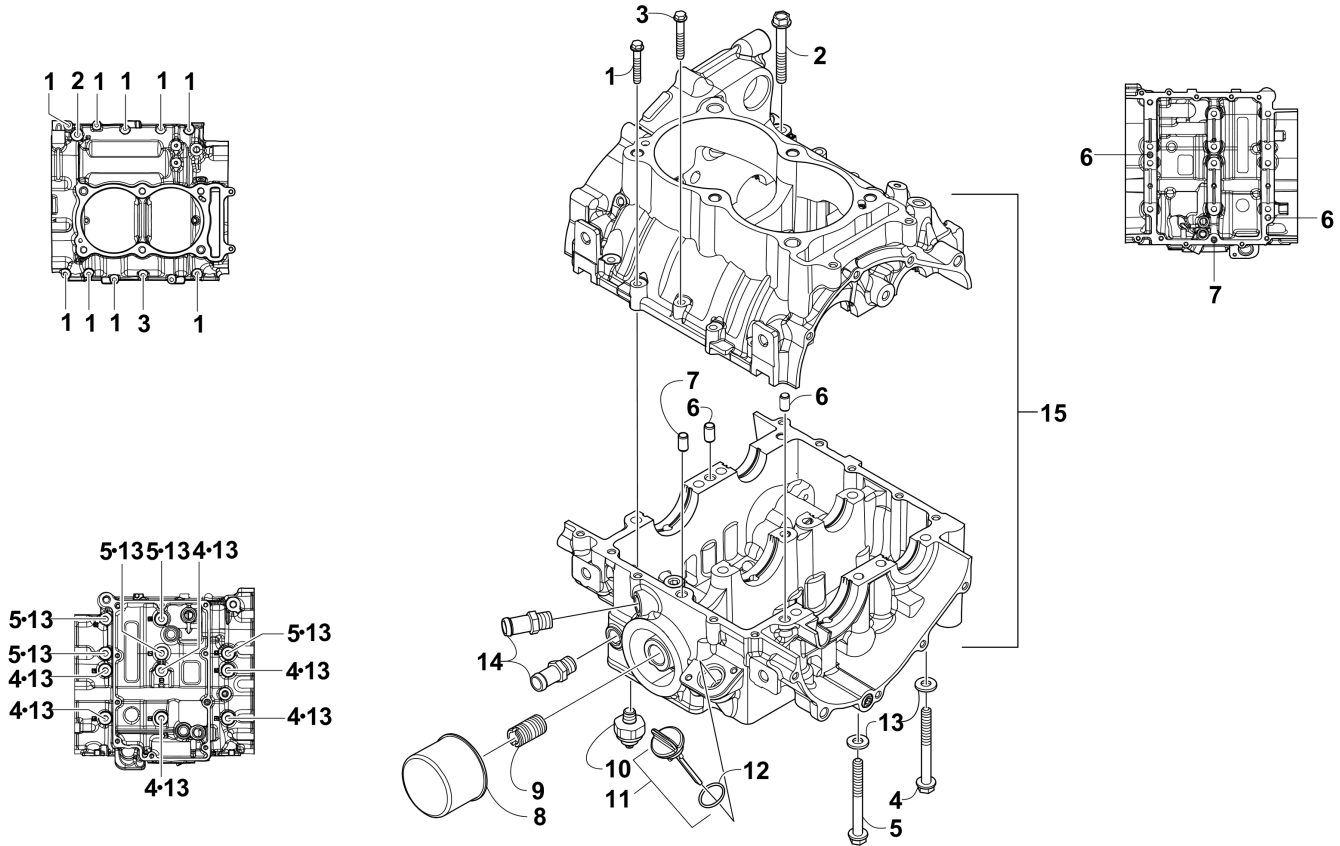
COOLING ASSEMBLY [300919]



Item	Part No.	Qty	Name	Context	Footnote
1	0513-056	1	Cooler, Radiator - w/Oil - Assembly	(inc. 2-10)	
2	8475-512	14	Screw, Machine		
3	0413-123	1	Fan, Radiator		
4	0413-327	1	Shroud, Fan		
5	0513-057	1	Radiator		
6	0413-322	1	Cooler, Oil		
7	1602-213	1	O-Ring		
8	0413-195	1	Plug, Radiator		
9	0413-255	1	Cap, Radiator		
10	0423-030	2	Grommet		
11	0423-028	2	Bushing		
12	0423-356	2	Screw, Shoulder		
13	8427-602	2	Nut, Lock		
14	0423-496	7	Clamp, Hose		
15	0410-264	1	Hose, Coolant - Coolant/Radiator		
16	0410-265	1	Hose, Coolant - Radiator/Coolant		
17	0413-309	1	Pipe, Coolant		
18	0513-055	1	Pipe, Coolant - Thermostat/Radiator		
19	0410-263	2	Hose, Coolant		
20	0410-262	1	Hose, ByPass		

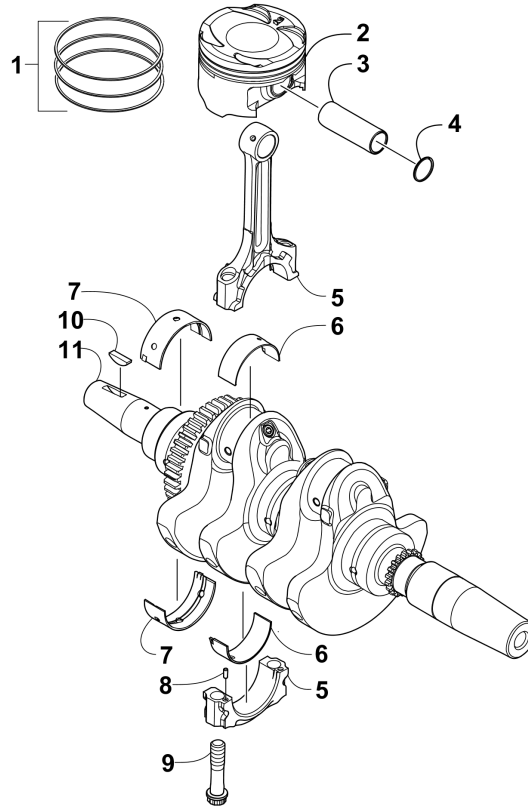
Item	Part No.	Qty	Name	Context	Footnote
21	0610-790	1	Loom, Coolant Hose - 5 ft		
22	0423-632	2	Clamp, Hose		
23	0513-052	1	Housing, Thermostat		
24	8408-640	1	Screw, Cap		
25	3304-104	1	O-Ring		
26	3304-049	1	Washer		
27	3304-186	1	Screw, Cap		
28	0824-051	1	Sensor, Engine Coolant Temperature		
29	0813-050	1	Thermostat		
30	0830-205	1	O-Ring		
31	0808-202	1	Cover, Housing - Thermostat		
32	3303-383	2	Bolt		
33	2623-088	3	Clamp, Hose		
34	0410-271	1	Hose, Coolant		
35	0610-734	1	Loom, Coolant Hose		
36	0123-903	AR	Tie, Cable - 11.5 in.		
37	8061-686	2	Rivet		
38	0413-346	2	Clip, Coolant		
39	2623-062	4	Clamp, Hose		
40	0410-273	1	Hose, Oil - #2		
41	0410-319	1	Hose, Oil - #1		
42	0413-328	1	Cap		
43	0413-329	1	Spacer		
44	0413-320	1	Bottle, Overflow		
45	1623-351	1	Clamp, Hose		
46	0410-274	1	Hose, Coolant - Overflow		
47	0124-045	1	Clamp, Hose		

CRANKCASE ASSEMBLY [300033]



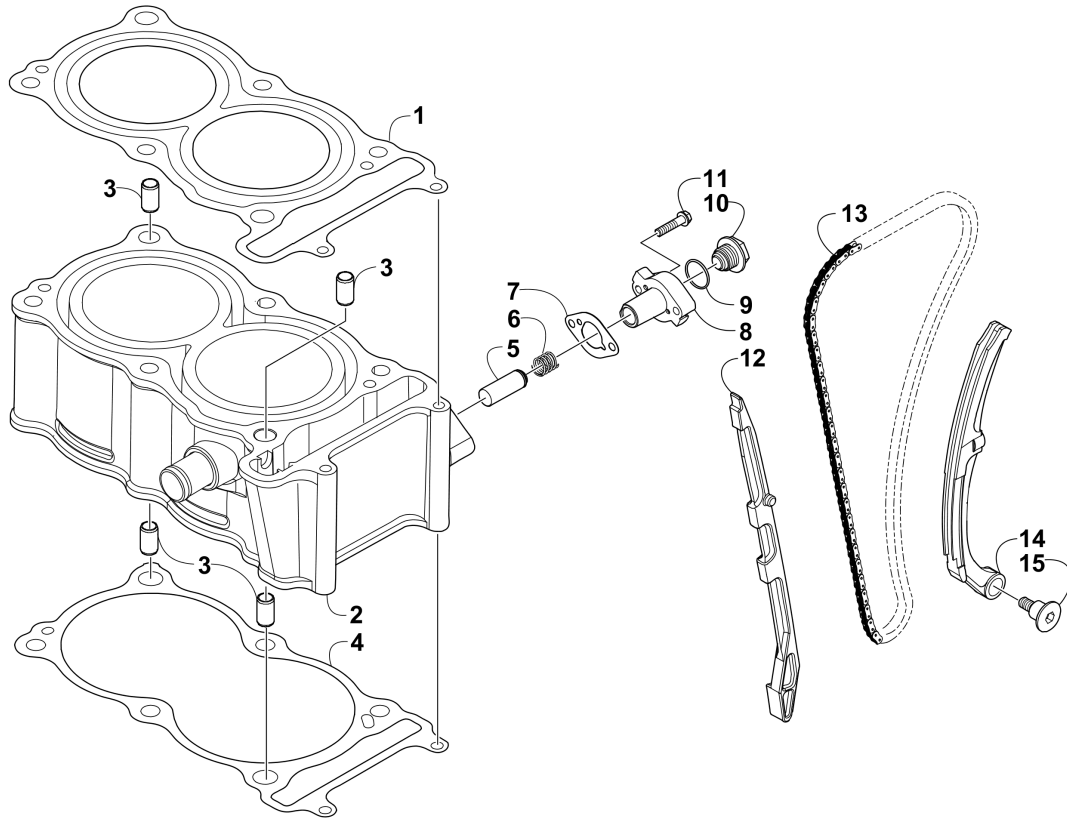
Item	Part No.	Qty	Name	Context	Footnote
1	3303-386	10	Bolt, Flange		
2	3304-649	1	Screw, Cap		
3	3307-053	1	Bolt, Flange		
4	3306-927	6	Screw, Cap		
5	3306-926	5	Screw, Cap		
6	3306-924	2	Lock, Pin Oil		
7	3301-716	1	Pin, Dowel		
8	0812-034	1	Filter, Oil		
9	0812-066	1	Union, Oil Filter		
10	3306-920	1	Switch, Oil Pressure		
11	0806-029	1	Stick, Oil Level	(inc. 12)	
12	3304-102	1	O-Ring		
13	3306-923	11	Washer		
14	0413-359	2	Fitting 1/2" Hose-3 Barb-M14X1.25		
15	3306-969	1	Crankcase Assembly		

CRANKSHAFT AND PISTON ASSEMBLY [300034]



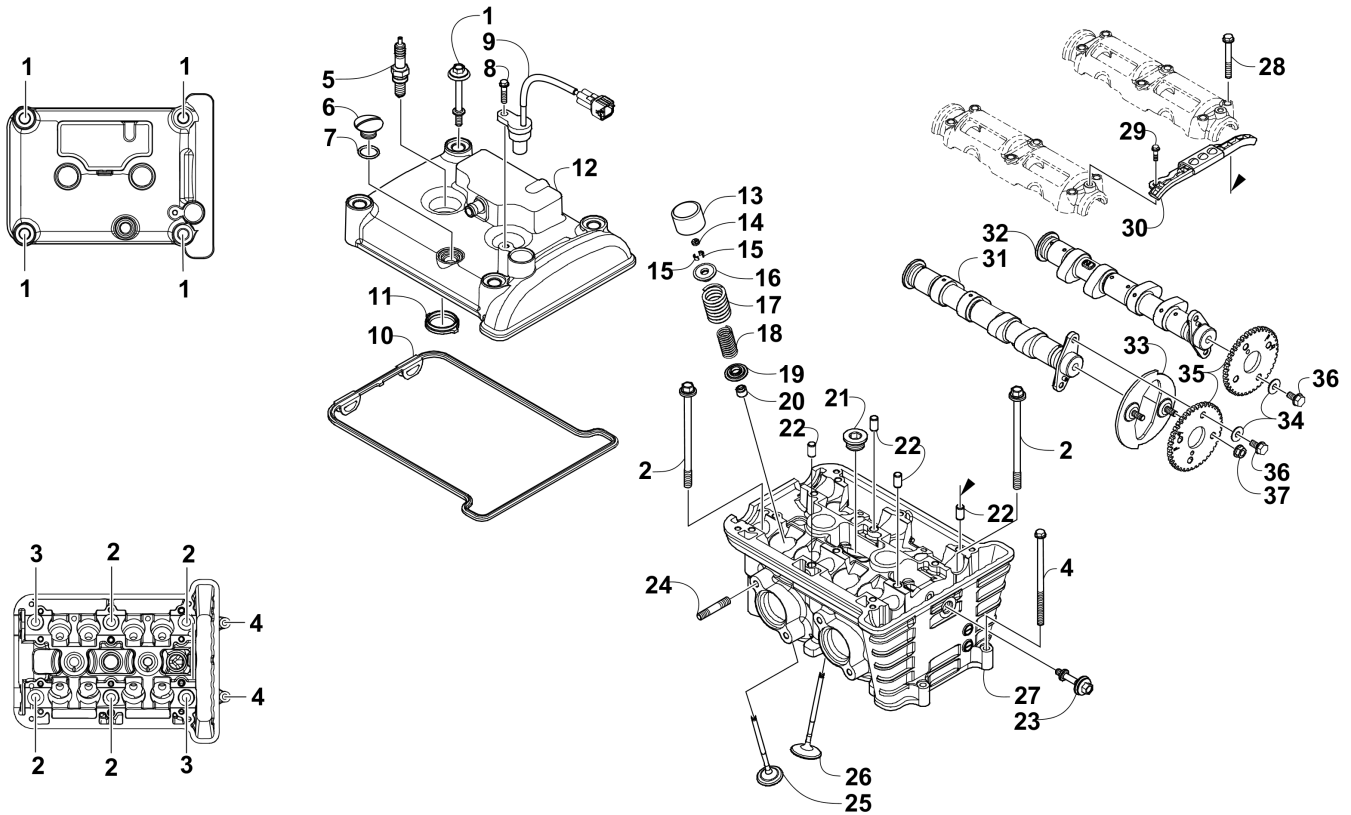
Item	Part No.	Qty	Name	Context	Footnote
1	3306-992	2	Ring, Piston - Set		
2	3306-993	2	Piston		
3	3306-994	2	Pin, Piston		
4	3307-009	4	Circlip, Piston Pin		
5	3306-995	1	Connecting Rod Assembly		
6	3306-996	4	Bearing, Connecting Rod - Red		
6	3307-126	1	Bearing, Connecting Rod - Green		
6	3307-127	1	Bearing, Connecting Rod - Black		
7	3307-011	1	Bearing, Crankshaft - Red		
7	3307-123	1	Bearing, Crankshaft - Green		
7	3307-124	1	Bearing, Crankshaft - Black		
8			Pin, Alignment		Not Serviced Individually
9	0		Screw, Cap		Not Serviced Individually
10	0829-039	1	Key		
11	3307-008	1	Crankshaft Assembly		

CYLINDER AND TIMING CHAIN ASSEMBLY [300031]



Item	Part No.	Qty	Name	Context	Footnote
1	3306-929	1	Gasket, Head		
2	3306-990	1	Cylinder		
3	0829-046	4	Pin, Dowel		
4	3306-991	1	Gasket, Base		
5	3307-004	1	Tensioner, Chain		
6	3307-001	1	Spring, Oil Tensioner		
7	3306-999	1	Gasket		
8	3307-002	1	Adjuster, Tensioner		
9	3307-007	1	Washer		
10	3307-006	1	Bolt, Stud		
11	3303-385	2	Screw, Cap		
12	3307-005	1	Guide, Chain		
13	3306-997	1	Chain, Cam		
14	3306-998	1	Tensioner, Chain		
15	3307-003	1	Bolt, Stud		

CYLINDER HEAD AND CAMSHAFT/VALVE ASSEMBLY [300032]

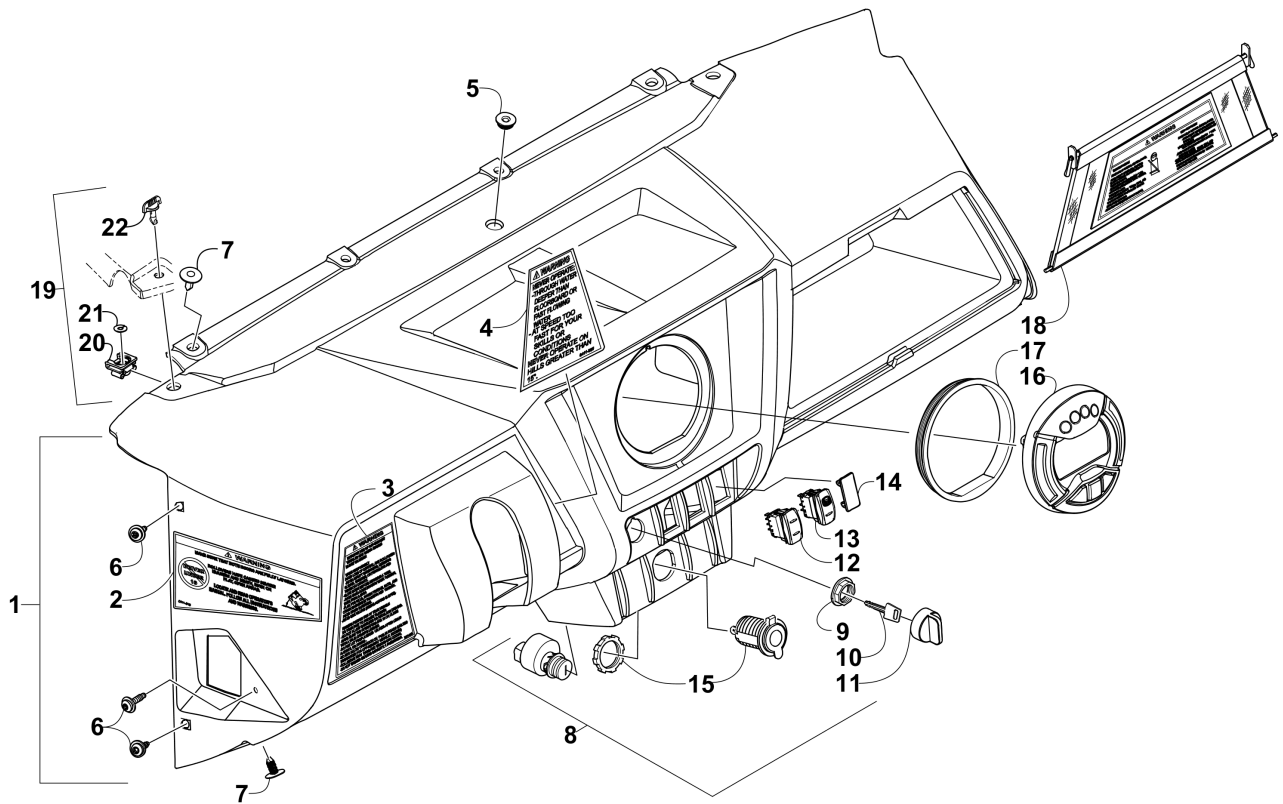


Item	Part No.	Qty	Name	Context	Footnote
1	3306-983	4	Screw, Cap		
2	3306-981	4	Screw, Cap		
3	3306-982	2	Screw, Cap		
4	3306-988	2	Screw, Cap		
5	0217-813	2	Plug, Spark - CR8EB		
6	3304-012	1	Cap		
7	3304-099	1	O-Ring		
8	3303-382	1	Bolt, Flange		
9	3306-821	1	Sensor		
10	3306-930	1	Seal		
11	3307-082	2	Seal		
12	3306-978	1	Cover		
13	3306-938	8	Lifter, Valve		
14	3306-942	AR	Shim T= 1.80		
14	3306-943	AR	Shim T= 1.85		
14	3306-944	AR	Shim T= 1.90		
14	3306-945	AR	Shim T= 1.95		
14	3306-946	AR	Shim T= 2.00		
14	3306-947	AR	Shim T= 2.05		
14	3306-948	AR	Shim T= 2.10		

Item	Part No.	Qty	Name	Context	Footnote
14	3306-949	AR	Shim T= 2.15		
14	3306-950	AR	Shim T= 2.20		
14	3306-951	AR	Shim T= 2.25		
14	3306-952	AR	Shim T= 2.30		
14	3306-953	AR	Shim T= 2.35		
14	3306-954	AR	Shim T= 2.40		
14	3306-955	AR	Shim T= 2.45		
14	3306-956	AR	Shim T= 2.50		
14	3306-957	AR	Shim T= 2.55		
14	3306-958	AR	Shim T= 2.60		
14	3306-959	AR	Shim T= 2.65		
14	3306-960	AR	Shim T= 2.70		
14	3306-961	AR	Shim T= 2.75		
14	3306-962	AR	Shim T= 2.80		
14	3306-963	AR	Shim T= 2.85		
14	3306-964	AR	Shim T= 2.90		
14	3306-965	AR	Shim T= 2.95		
14	3306-966	AR	Shim T= 3.00		
15	3306-980	16	Cotter Valve		
16	3306-941	8	Retainer, Valve Spring		
17	3306-939	8	Spring, Valve - Outer		
18	3306-940	8	Spring, Valve - Inner		
19	3306-979	8	Seat, Valve - Spring		
20	3306-968	16	Seal, Valve Stem		
21	3306-986	2	Screw, Cap		
22	3303-341	4	Pin, Dowel		
23	3306-984	1	Screw, Cap		
24	3306-987	4	Bolt, Stud		
25	3306-937	4	Valve, Exhaust		
26	3306-936	4	Valve, Intake		
27	3306-928	1	Head, Cylinder		
28	3303-387	12	Screw, Cap		
29	3303-381	2	Screw, Cap		
30	3306-935	1	Guide, Tensioner - Upper		
31	3306-932	1	Shaft, Cam - Exhaust		
32	3306-931	1	Shaft, Cam - Intake		
33	3306-934	1	Encoder Phase Plate		
34	0828-083	4	Washer		
35	3306-933	2	Sprocket, Cam Shaft		

Item	Part No.	Qty	Name	Context	Footnote
36	3306-985	4	Bolt, Knock		
37	3304-654	2	Nut, Flange - 6 mm		

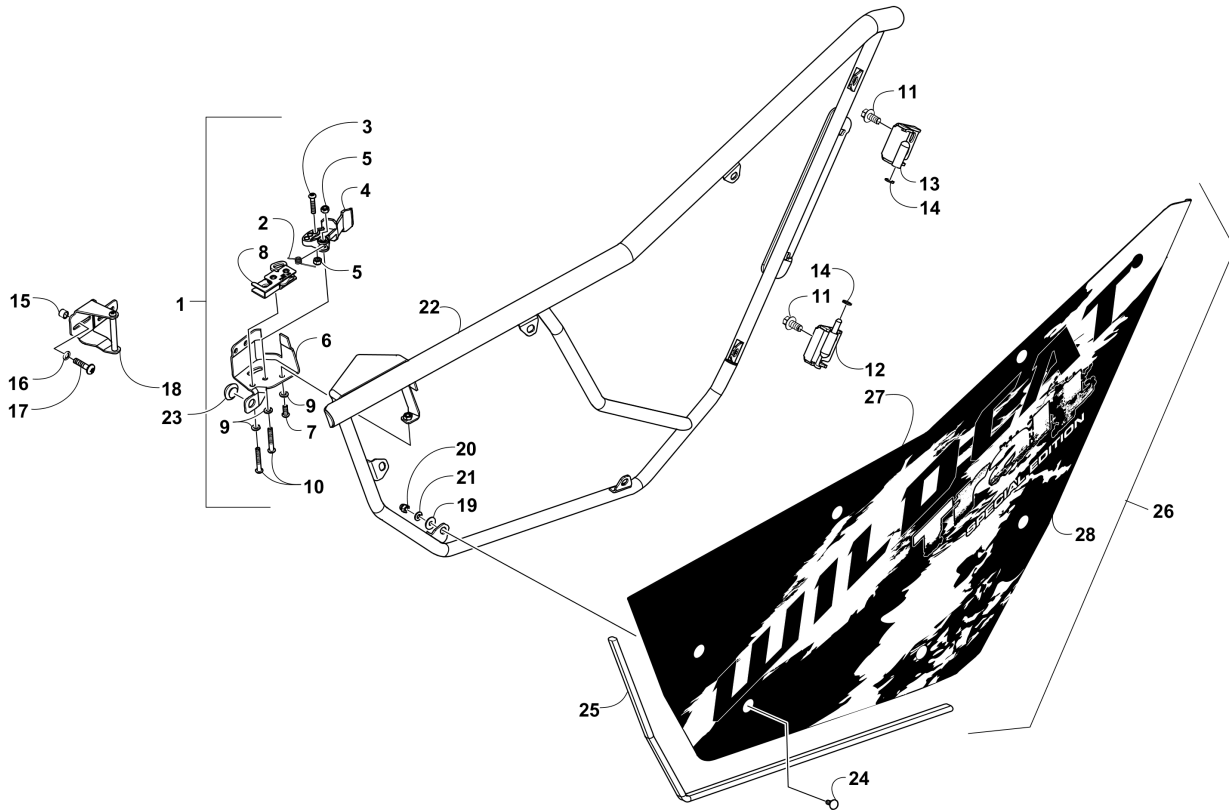
DASH ASSEMBLY [301322]



Item	Part No.	Qty	Name	Context	Footnote
1	5506-601	1	Panel, Dash - w/Decals	(inc. 2-5)	
2	3411-918	1	Decal, Warning - Age		
3	2411-893	1	Decal, Warning - Dash - Left		
4	2411-892	1	Decal, Warning - Dash - Right		
5	0423-678	1	Grommet		
6	0423-609	4	Screw, Machine		
7	0623-544	AR	Plug		
8	0609-936	1	Switch, Ignition	(inc. 9-11)	
9	0430-050	1	Nut, Retaining		
10	0430-042	1	Key, Ignition - Y		
10	0430-043	1	Key, Ignition - Z		
11	0630-324	1	Cover, Key		
12	0409-160	1	Switch, Lights		
13	0409-061	1	Switch, 2WD/4WD/Differential Lock		
14	0409-070	1	Plug, Switch Hole		
15	0641-897	1	Outlet, Accessory - 12V		
16	0520-276	1	Gauge	(inc. 17)	
17	0409-161	1	Ring, Mount - Gauge		
18	5506-412	1	Net, Glove Box - English		
19	1423-218	2	Fastener, Quarter-Turn - Assembly	(inc. 20-22)	

Item	Part No.	Qty	Name	Context	Footnote
20	1423-208	2	Receiver		
21	1423-209	2	Retainer		
22	1423-207	2	Knob		

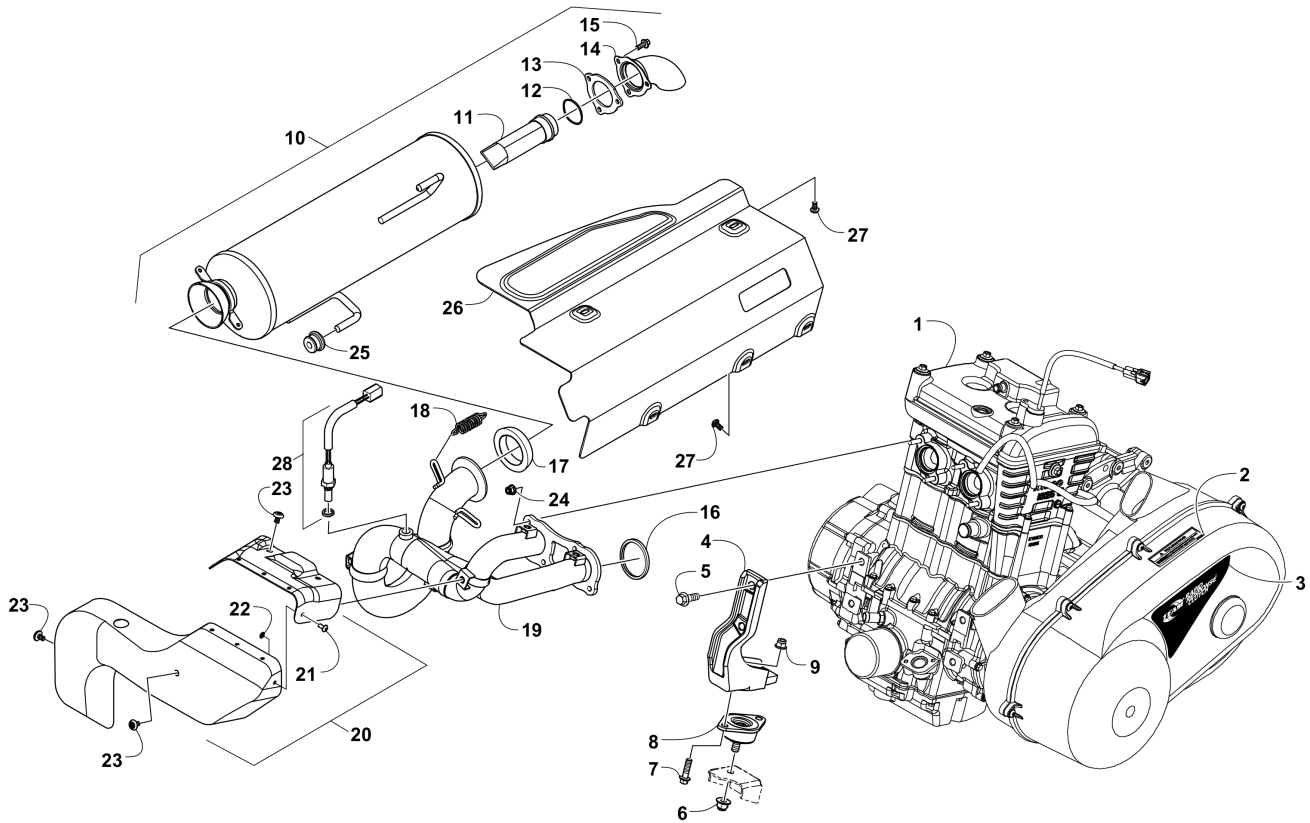
DOOR ASSEMBLY [301323]



Item	Part No.	Qty	Name	Context	Footnote
1	2436-262	1	Latch, Door - Right - Assembly	(inc. 2-10)	
1	2436-263	1	Latch, Door - Left - Assembly	(inc. 2-10)	
2	1423-235	2	Spring		
3	1423-231	2	Screw		
4	4406-999	2	Handle, Door		
5	1423-153	4	Nut, Lock		
6	4406-730	1	Bracket - Right		
6	4406-731	1	Bracket - Left		
7	1423-114	6	Screw, Cap		
8	4406-908	1	Latch, Rotary - Right		
8	4406-909	1	Latch, Rotary - Left		
9	1423-120	10	Washer, Lock		
10	1423-232	4	Screw, Machine		
11	8408-818	8	Screw, Cap		
12	4406-424	1	Hinge, Door - Lower - Right		
12	4406-425	1	Hinge, Door - Lower - Left		
13	4406-426	1	Hinge, Door - Upper - Right		
13	4406-427	1	Hinge, Door - Upper - Left		
14	1423-224	4	Bushing, Door Hinge		
15	4406-777	2	Spacer		

Item	Part No.	Qty	Name	Context	Footnote
16	8050-223	4	Washer, Flat		
17	8468-626	4	Screw, Machine		
18	4406-728	4	Striker, Door - Right		
18	4406-729	1	Striker, Door - Left		
19	1423-264	14	Washer, Lock		
20	1423-263	14	Nut, Cap		
21	1423-312	14	Washer, Lock		
22	5506-838	1	Frame, Door - Right		
22	5506-839	1	Frame, Door - Left		
23	4406-776	2	Plug, Bumper		
24	1423-233	14	Bolt, Carriage		
25	4406-724	2	Seal, Trim		
26	0518-268	1	Door w/Decals - Right	(inc. 27-28)	
26	0518-269	1	Door w/Decals - Left	(inc. 27-28)	
27	4406-726	1	Door w/o Decals - Right - Black		
27	4406-727	1	Door w/o Decals - Left - Black		
28	5411-108	1	Decal, Door - Right		
28	5411-109	1	Decal, Door - Left		

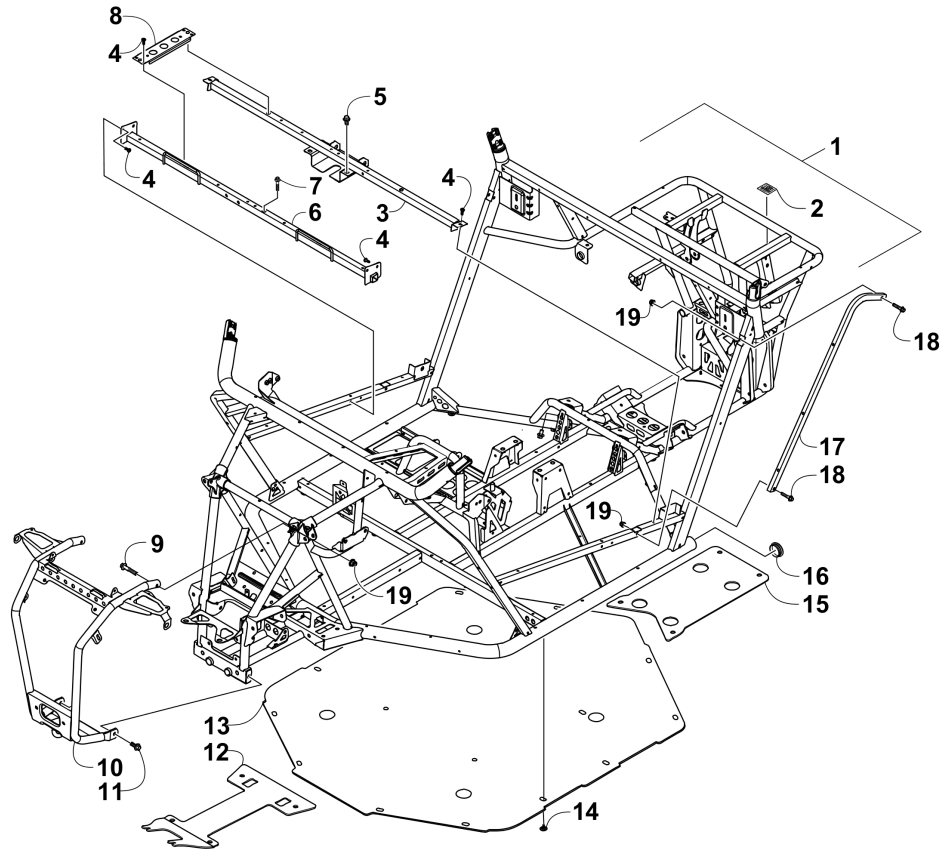
ENGINE AND EXHAUST [301108]



Item	Part No.	Qty	Name	Context	Footnote
1	3306-810	1	Engine, 700 ZK		
2	0411-426	1	Decal, Warning - Clutch		
3	2411-287	1	Decal, Rapid Resonse		
4	0508-026	1	Mount, Engine - Front - Right		
4	0508-027	1	Mount, Engine - Front - Left		
5	8409-030	4	Screw, Cap		
6	8427-002	2	Nut, Lock		
7	8408-835	4	Screw, Cap		
8	0408-064	2	Mount, Engine - w/Stud		
9	8427-802	4	Nut, Lock		
10	0512-679	1	Muffler - Assembly	(inc. 11-15)	
11	0512-647	1	Arrester, Spark - Assembly		
12	1423-246	1	Washer, Wave		
13	0412-675	1	Gasket		
14	0512-760	1	Tail Pipe - Assembly		
15	8408-616	3	Screw, Cap		
16	0412-647	2	Seal, Exhaust Pipe		
17	1612-323	1	Gasket, Exhaust Pipe		
18	0612-471	2	Spring, Extension		
19	0512-881	1	Manifold Assembly		

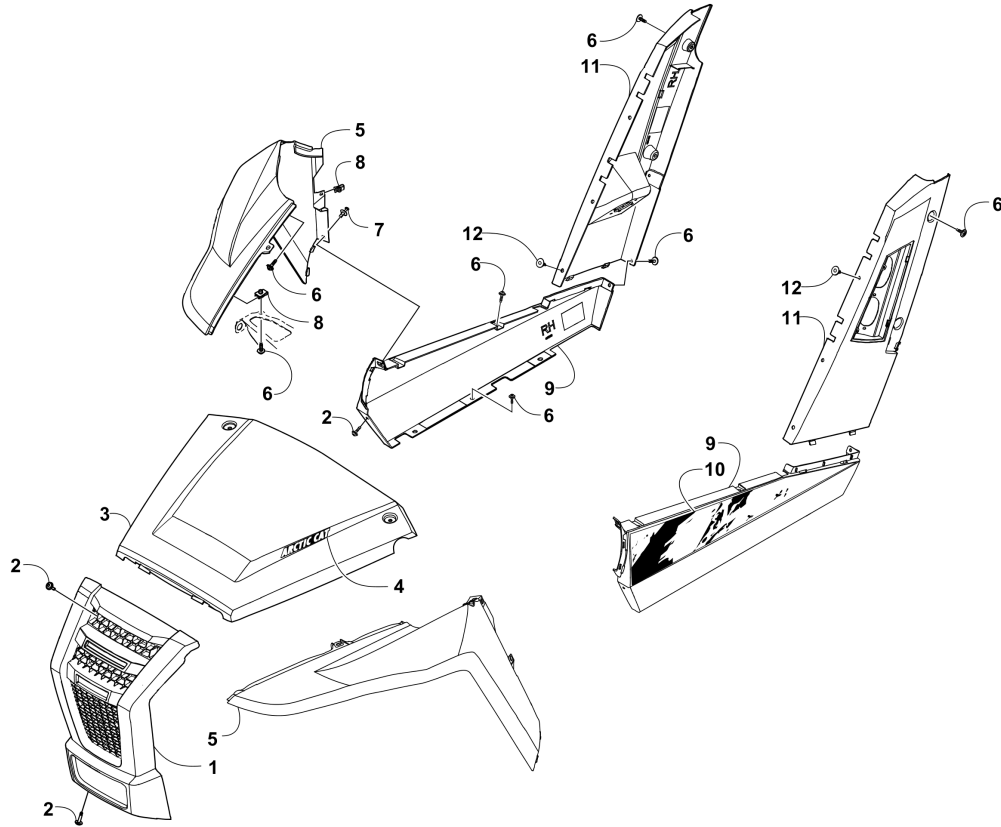
Item	Part No.	Qty	Name	Context	Footnote
20	0512-794	1	Shield, Heat - Assembly	(inc. 21)	
21	1623-130	5	Rivet		
22	8050-222	5	Washer		
23	8477-610	5	Screw, Machine		
24	8424-602	4	Nut, Lock		
25	0412-544	2	Bushing		
26	0412-774	1	Shield, Heat - Muffler		
27	1623-490	5	Screw, Cap		
28	0630-302	1	Oxygen Sensor		

FRAME AND RELATED PARTS [300006]



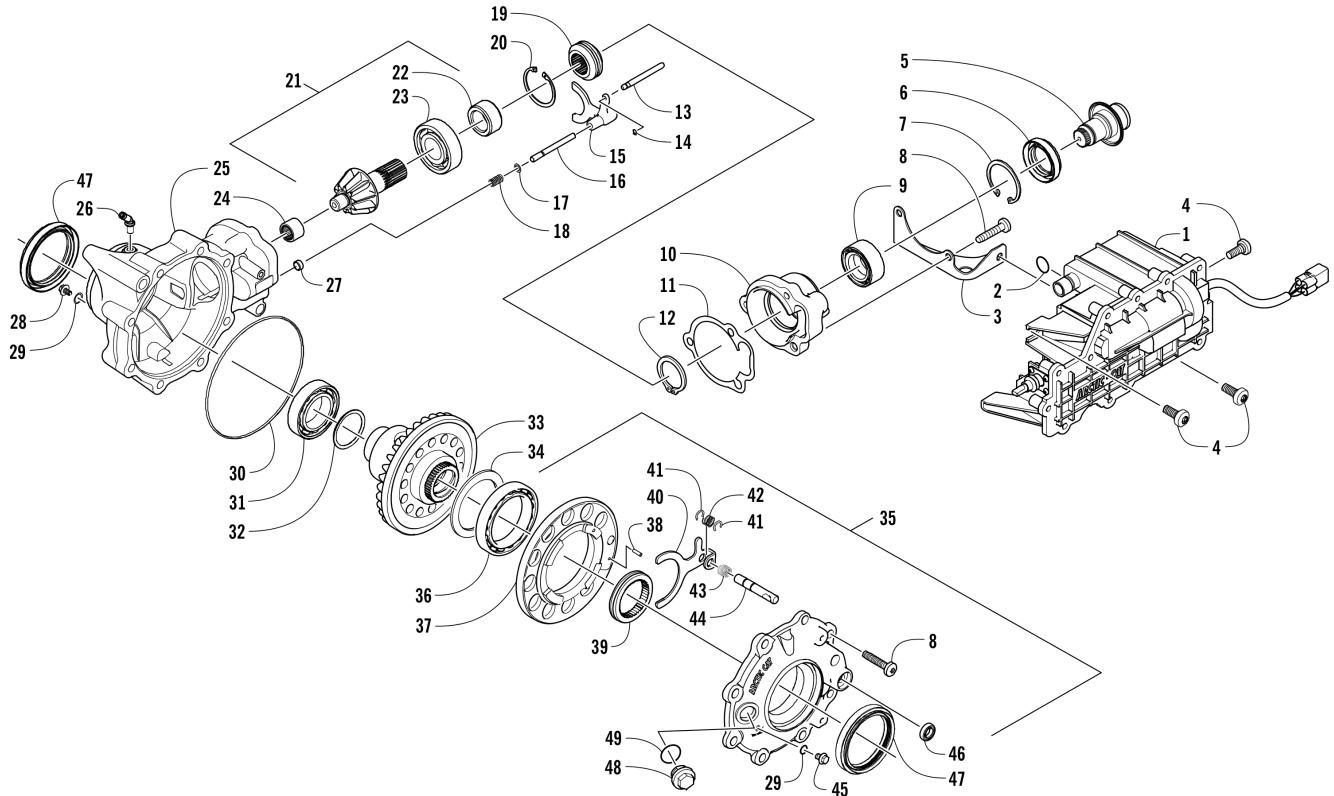
Item	Part No.	Qty	Name	Context	Footnote
1	7506-624	1	Kit, Frame w/Warning Decals	(inc. 2)	
2	4411-110	1	Decal, Warning - Towing		
3	5506-218	1	Tube, Support - Rear		
4	0423-538	16	Screw, Self-Tapping		
5	8411-021	4	Screw, Cap		
6	5506-414	1	Tube, Seat Support - Front		
7	8411-841	1	Screw, Cap		
8	5506-398	1	Bracket, Support		
9	8408-845	2	Screw, Cap		
10	5506-235	1	Bumper		
11	8409-820	2	Screw, Cap		
12	4406-347	1	Plate, Skid - Front		
13	4406-348	1	Plate, Skid - Center		
14	1423-109	24	Screw, Self-Tapping		
15	4406-349	1	Plate, Skid - Rear		
16	2416-962	2	Plug, Hole		
17	5506-396	1	Tube, Door Support - Right		
17	5506-397	1	Tube, Door Support - Left		
18	8408-840	4	Screw, Cap		
19	8427-802	6	Nut, Lock		

FRONT AND SIDE PANEL ASSEMBLIES [301324]



Item	Part No.	Qty	Name	Context	Footnote
1	4406-263	1	Fascia, Front		
2	0423-609	10	Screw, Machine		
3	7506-399	1	Hood - Camo		
4	5411-106	2	Decal, Hood - Side - Orange		
5	7506-400	1	Fender, Front - Right - Camo		
5	7506-401	1	Fender, Front - Left - Camo		
6	1423-198	18	Screw, Machine		
7	0623-362	2	Clip, Retaining		
8	0423-577	8	Clip, U-Nut		
9	4406-280	1	Panel, Side - Lower Right - Black		
9	4406-281	1	Panel, Side - Lower Left - Black		
10	5411-110	1	Decal, Side Panel - Right - Orange		
10	5411-111	1	Decal, Side Panel - Left - Orange		
11	5506-578	1	Panel, Rear Side - Right - Orange		
11	5506-579	1	Panel, Rear Side - Left - Orange		
12	0623-544	6	Plug		

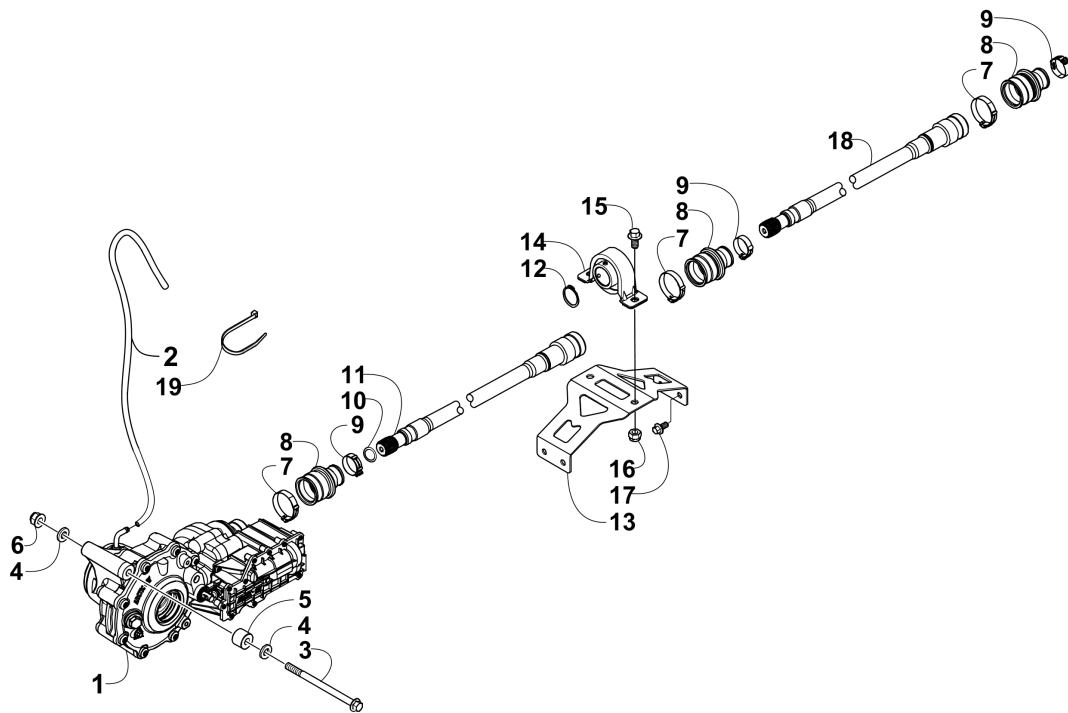
FRONT DRIVE GEARCASE ASSEMBLY [301030]



Item	Part No.	Qty	Name	Context	Footnote
-	2502-082	1	Gearcase, Front		
1	2502-194	1	Actuator	(inc. 2)	
2	1402-981	2	O-Ring		
3	1502-237	1	Bracket, Actuator		
4	0423-396	3	Screw, Self-Tapping		
5	1502-085	1	Shaft, Input		
6	1402-011	1	Seal		
7	0423-423	1	Ring, Retaining		
8	0423-118	11	Screw, Self-Tapping		
9	1402-043	1	Bearing		
10	0502-528	1	Housing, Pinion		
11	0402-947	1	Gasket, Flange		
12	0423-417	1	Ring, Retaining		
13	0402-997	1	Shaft, Selector		
14	0423-402	1	Ring, Retaining		
15	0402-998	1	Fork, Selector		
16	0402-417	1	Shaft, Shuttle		
17	0423-147	1	O-Ring		
18	0402-999	1	Spring, Return		

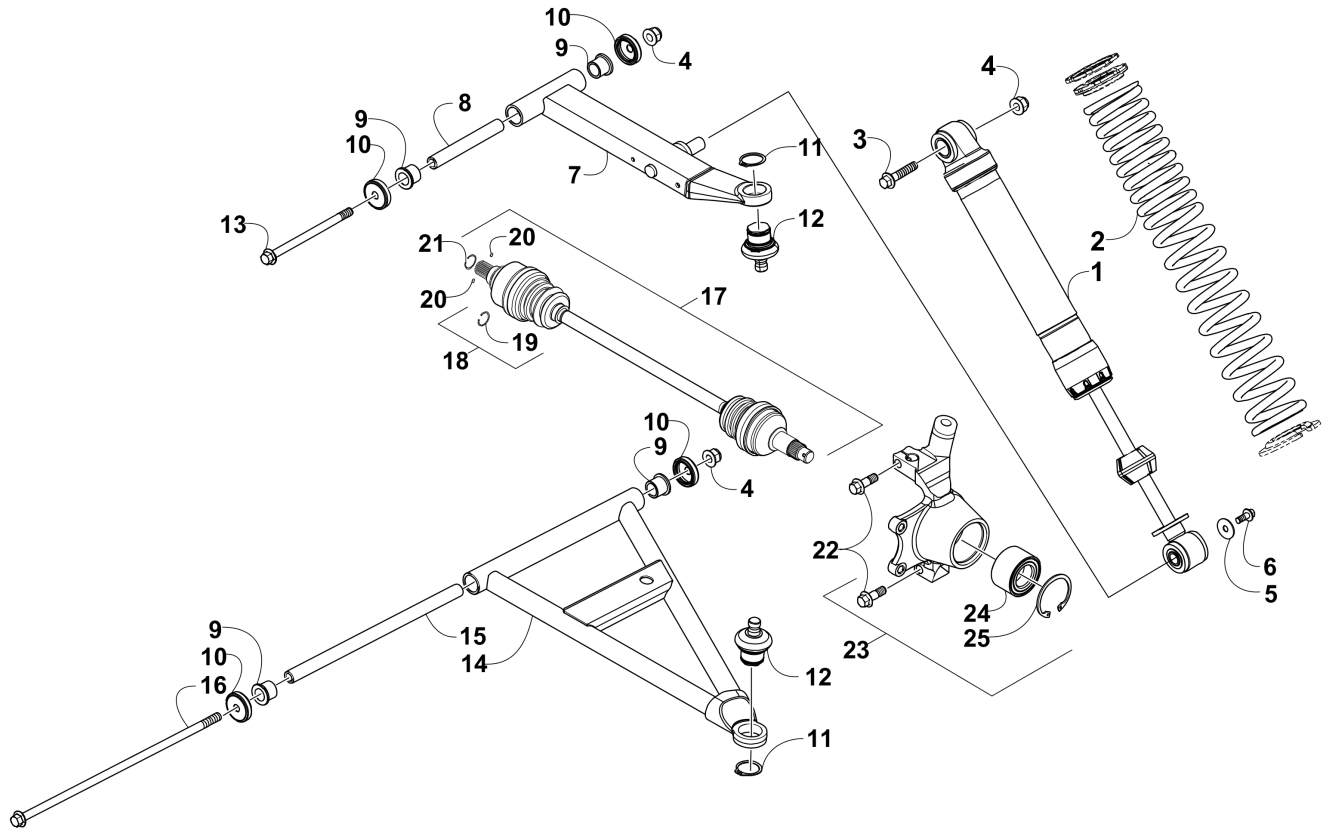
Item	Part No.	Qty	Name	Context	Footnote
19	0402-413	1	Coupler, Drive		
20	1423-067	1	Ring, Retaining		
21	1502-851	1	Gear, Pinion - Assembly - 11T	(inc. 22-23)	
22	1402-977	1	Collar, Retaining		
23	0402-327	1	Bearing		
24	0402-328	1	Bearing		
25	1502-856	1	Housing, Gearcase		
26	2402-162	1	Fitting, Elbow		
27	0402-411	1	Pin, Dowel		
28	1402-210	1	Plug, Magnetic	(inc. one No. 29)	
29	0423-153	2	O-Ring		
30	0423-149	1	O-Ring		
31	0402-393	1	Bearing		
32	0402-405	AR	Shim, 41 x 49 x 1.3 mm		
32	0402-406	AR	Shim, 41 x 49 x 1.4 mm		
32	0402-407	AR	Shim, 41 x 49 x 1.5 mm		
32	0402-408	AR	Shim, 41 x 49 x 1.6 mm		
32	0402-409	AR	Shim, 41 x 49 x 1.7 mm		
33	1502-919	1	Gear, Ring - 34T		
34	1402-074	AR	Shim, 61 x 69 x 1.3 mm		
34	1402-075	AR	Shim, 61 x 69 x 1.4 mm		
34	1402-076	AR	Shim, 61 x 69 x 1.5 mm		
34	1402-077	AR	Shim, 61 x 69 x 1.6 mm		
34	1402-078	AR	Shim, 61 x 69 x 1.7 mm		
35	2502-286	1	Cover, Gearcase	(inc. one No. 29, 36-46, and one No. 47)	
36	1402-053	1	Bearing		
37	0502-413	1	Flange, Bearing		
38	1402-079	1	Pin, Parallel		
39	1402-042	1	Collar, Sliding		
40	1402-054	1	Fork		
41	1402-058	2	Ring, Retaining		
42	1402-057	1	Spring		
43	1402-063	1	Spring		
44	1402-656	1	Shaft, Lock		
45	1402-211	1	Plug, Oil Level	(inc. one No. 29)	
46	1402-056	1	Seal		
47	2402-240	2	Seal		
48	0402-333	1	Plug, Fill	(inc. 49)	
49	0423-154	1	O-Ring		

FRONT DRIVE SYSTEM ASSEMBLY [300023]



Item	Part No.	Qty	Name	Context	Footnote
1	2502-082	1	Gearcase, Front		
2	0410-070	AR	Hose - 25 ft		
3	1623-729	2	Screw, Cap		
4	0423-426	4	Washer		
5	1423-179	2	Spacer		
6	1423-334	2	Nut, Lock		
7	0423-393	3	Clamp		
8	0402-985	3	Boot, Shaft		
9	0423-411	3	Clamp		
10	1423-090	2	O-Ring		
11	2402-099	1	Driveshaft, Front		
12	1423-175	1	Ring, Retaining		
13	5506-079	1	Bracket, Mount - Bearing Assembly		
14	1402-968	1	Bearing		
15	8408-020	2	Screw, Cap		
16	8422-002	2	Nut, Lock		
17	8408-816	4	Screw, Cap		
18	2402-100	1	Driveshaft, Center		
19	0123-788	AR	Tie, Cable - 8 in.		

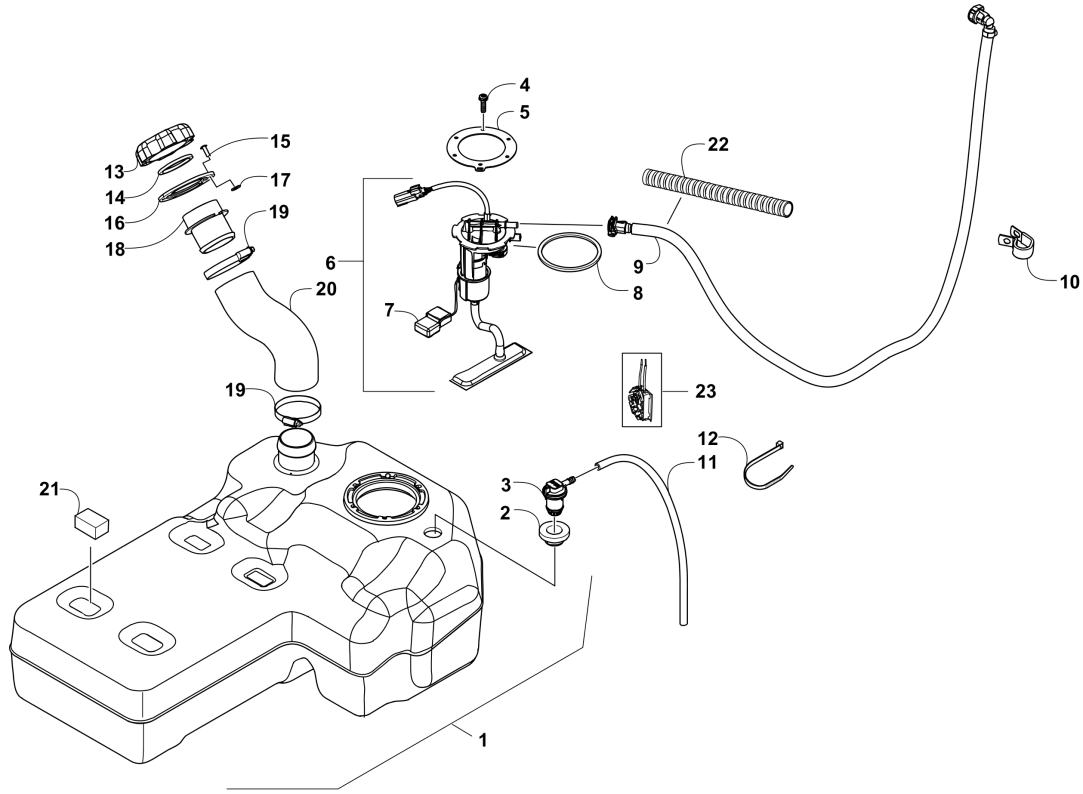
FRONT SUSPENSION ASSEMBLY [301325]



Item	Part No.	Qty	Name	Context	Footnote
1	0403-292	2	Shock Absorber		
2	0504-874	2	Spring, Suspension - Black		
3	8409-055	2	Screw, Cap		
4	1423-334	6	Nut, Lock		
5	0423-087	2	Washer		
6	8408-821	2	Screw, Cap		
7	0503-816	1	A-Arm, Upper Right - Orange	(inc. 8-12)	
7	0503-817	1	A-Arm, Upper Left - Orange	(inc. 8-12)	
8	0403-305	2	Sleeve		
9	0403-264	8	Bushing		
10	1423-204	8	Seal		
11	0423-009	4	Clip, Ball Joint		
12	0405-483	4	Ball Joint		
13	1423-266	2	Screw, Cap		
14	0503-840	1	A-Arm, Lower Right - Orange	(inc. 9-12 and 15)	
14	0503-841	1	A-Arm, Lower Left - Orange	(inc. 9-12 and 15)	
15	0403-402	2	Sleeve		
16	1423-249	2	Screw, Cap		
17	2502-348	2	Kit, Halfshaft	(inc. 18-21)	
18	2436-112	2	Repair Kit, Boot	(inc. 19)	

Item	Part No.	Qty	Name	Context	Footnote
19	1441-988	2	Clip, Retaining		
20	1402-885	4	Pin, Detent		
21	1402-889	2	Clip, Retaining		
22	0423-998	4	Screw, Shoulder		
23	0503-626	1	Knuckle - Assembly - Right	(inc. 24-25)	
23	0503-627	1	Knuckle - Assembly - Left	(inc. 24-25)	
24	1402-809	2	Bearing		
25	0423-423	2	Ring, Retaining		

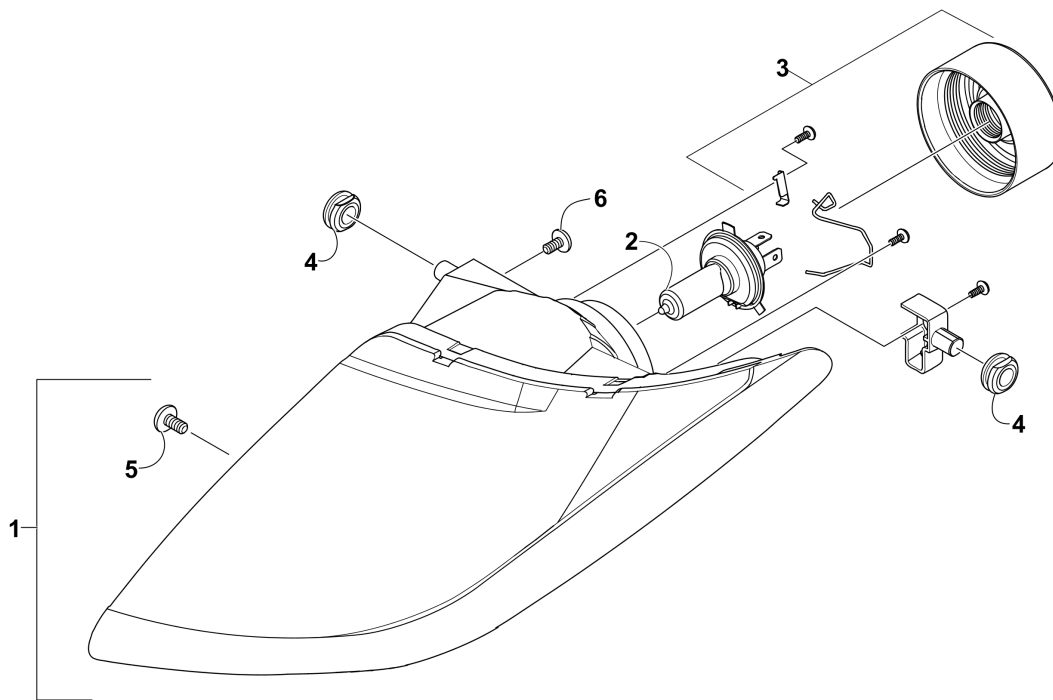
GAS TANK ASSEMBLY [301153]



Item	Part No.	Qty	Name	Context	Footnote
1	0570-374	1	Tank, Gas		
2	1670-822	1	Grommet		
3	1670-787	1	Valve, Check		
4	0423-898	6	Screw, Self-Tapping		
5	2670-042	1	Plate, Retaining		
6	0570-402	1	Pump, Fuel - Assembly	(inc. 7)	
7	2670-235	1	Float		
8	0470-838	1	Seal		
9	0570-444	1	Hose, Gasline		
10	1623-675	1	Clamp, Routing		
11	0410-070	AR	Hose - 25 ft		
12	0123-788	AR	Tie, Cable - 8 in.		
12	0123-903	AR	Tie, Cable - 11.5 in.		
13	0470-438	1	Cap, Gas Tank - Assembly	(inc. 14)	
14	0109-733	1	Seal, Gas Tank Cap		
15	8060-628	6	Rivet		
16	0670-304	1	Plate, Retaining		
17	0123-802	6	Washer		
18	0470-970	1	Neck, Fill		
19	0624-390	2	Clamp, Hose		

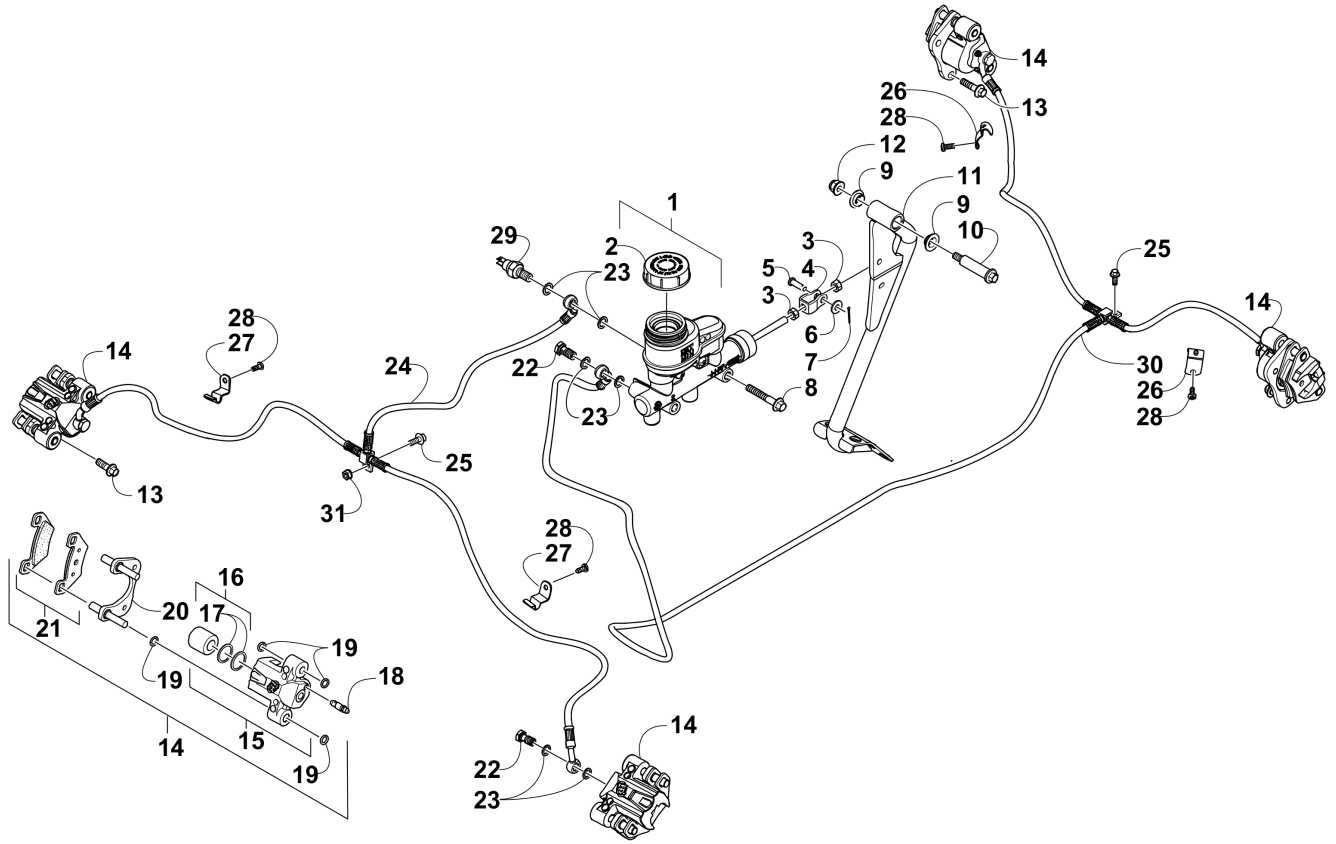
Item	Part No.	Qty	Name	Context	Footnote
20	0410-283	1	Hose, Gasline		
21	1470-049	4	Foam, Tank		
22	0619-776	AR	Conduit - 5 ft		
23	1770-170	1	Fuel Level Sensor Kit		

HEADLIGHTS [301057]



Item	Part No.	Qty	Name	Context	Footnote
1	0509-114	1	Headlight Assembly - Right	(inc. 2-3)	
1	0509-115	1	Headlight Assembly - Left	(inc. 2-3)	
2	0109-724	1	Bulb		
3	0409-157	1	Kit, Repair - Headlight		Services Two Lights
4	1423-104	4	Grommet		
5	8476-612	2	Screw, Machine		
6	0623-797	2	Screw, Self-Tapping		

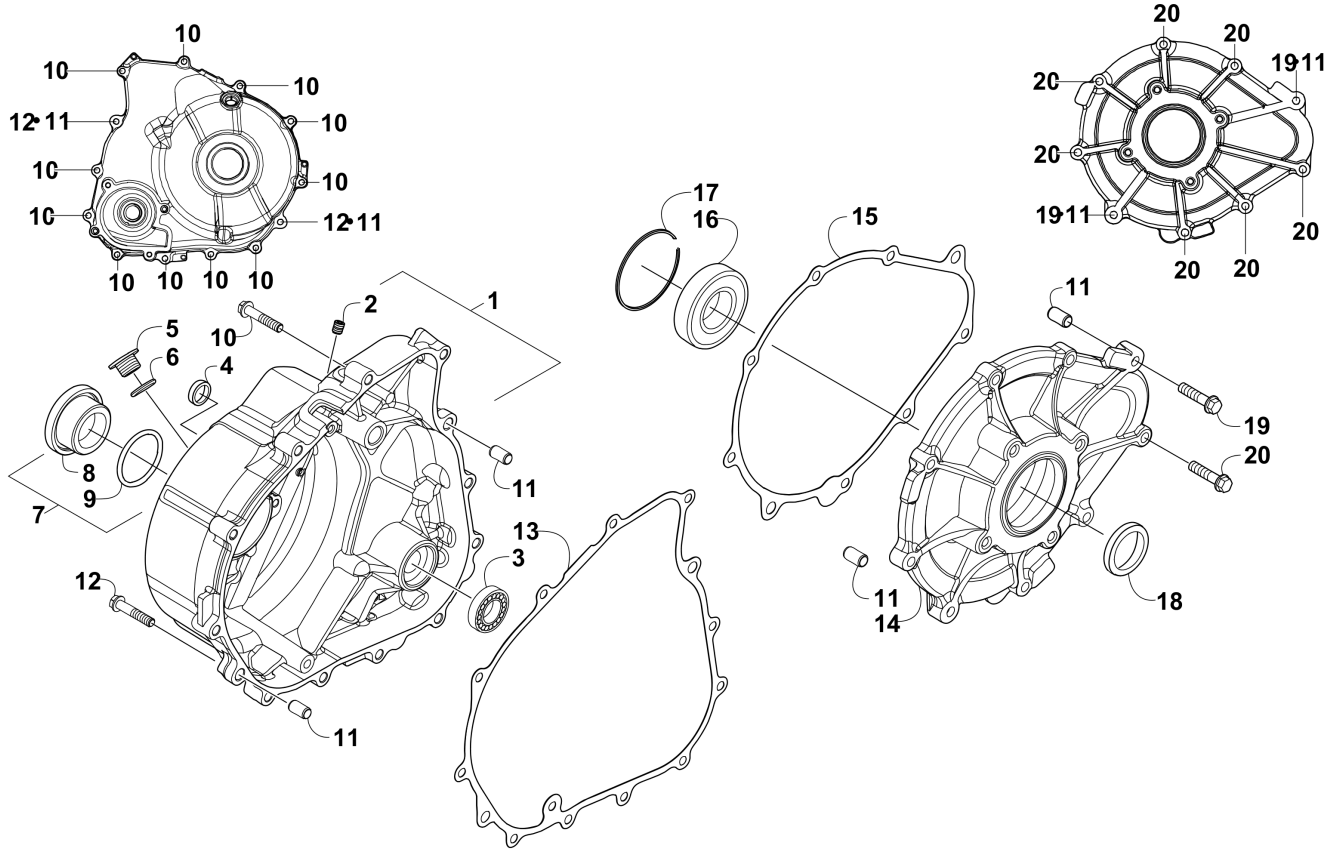
HYDRAULIC BRAKE ASSEMBLY [300016]



Item	Part No.	Qty	Name	Context	Footnote
1	2502-043	1	Cylinder, Master Brake - Assembly	(inc. 2-4)	
2	2502-044	1	Cap, Reservoir		
3	0402-592	2	Nut		
4	1402-520	1	Clevis		
5	1423-252	1	Pin, Clevis		
6	8050-217	1	Washer		
7	0117-868	1	Pin, Cotter		
8	8408-850	2	Screw, Cap		
9	2402-213	2	Bushing		
10	0423-505	1	Screw, Shoulder		
11	2502-102	1	Pedal, Brake		
12	8427-802	1	Nut, Lock		
13	8408-826	8	Screw, Cap		
14	1436-422	2	Caliper, Brake	(inc. 15-21)	Front & Rear Right
14	1436-423	2	Caliper, Brake	(inc. 15-21)	Front & Rear Left
15	1436-160	2	Housing, Caliper - Assembly	(inc. 16-18)	Front & Rear Right
15	1436-161	2	Housing, Caliper - Assembly	(inc. 16-18)	Front & Rear Left
16	0502-606	4	Piston/Seal Set	(inc. 17)	
17	0502-607	4	Seal Set		
18	0502-609	4	Valve, Bleed		

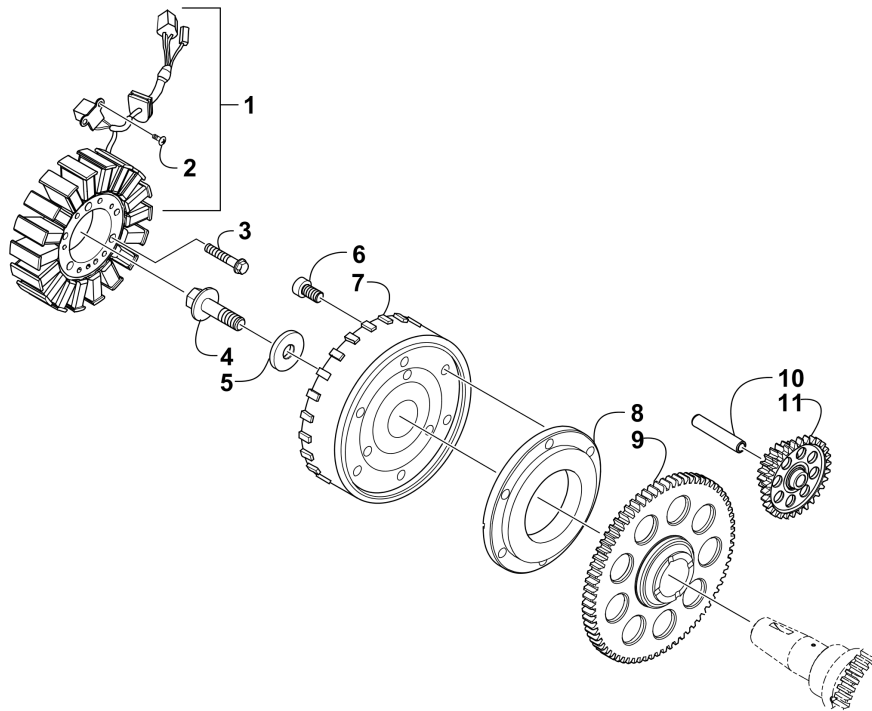
Item	Part No.	Qty	Name	Context	Footnote
19	0502-608	4	O-Ring, Guide - Set		
20	0502-605	4	Bracket Assembly		
21	1436-420	4	Pad, Brake - Set		
22	0423-413	5	Bolt, Banjo-Fitting		
23	0423-178	12	Washer, Crush		
24	2402-125	1	Hose, Brake		
25	8408-616	2	Screw, Cap		
26	0403-257	2	Bracket, Brakeline		
27	2402-149	2	Clip, Brake Hose		
28	0423-946	4	Screw, Self-Tapping		
29	3313-239	1	Switch, Brake Pressure		
30	2402-124	1	Hose, Brake		
31	0623-038	2	Nut w/Washer		

MAGNETO AND PTO COVERS [300039]



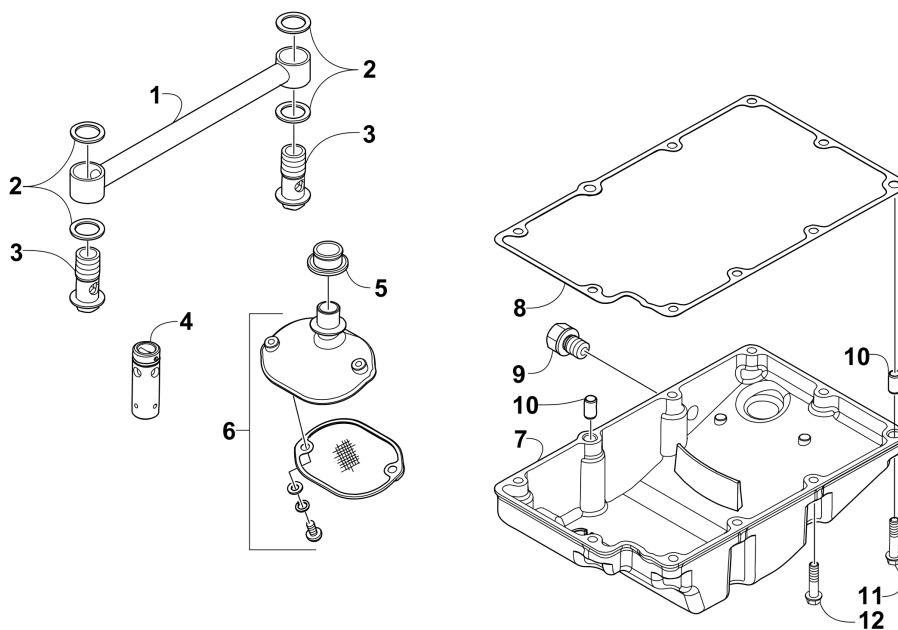
Item	Part No.	Qty	Name	Context	Footnote
1	3306-976	1	Cover, Crankcase - Right - Assembly	(inc. 2-4)	
2	3304-065	1	Plug		
3	3306-977	2	Bearing		
4	0830-207	1	Seal, Oil		
5	3304-012	1	Cap		
6	3304-099	1	O-Ring		
7	0812-087	1	Plug - Assembly	(inc. 8-9)	
8	0812-088	1	Plug		
9	0835-016	1	O-Ring		
10	0826-136	11	Screw, Cap		
11	3303-341	4	Pin, Dowel		
12	3303-386	2	Bolt, Flange		
13	3306-912	1	Gasket, Cover - Right		
14	3306-793	1	Cover, Crankcase - Left		
15	3306-913	1	Gasket, Cover - Left		
16	0832-087	1	Bearing		
17	3307-037	1	Clip, Retainer		
18	3307-034	1	Seal, Oil		
19	3305-945	2	Screw, Cap		
20	3303-384	7	Bolt, Flange		

MAGNETO ASSEMBLY [300037]



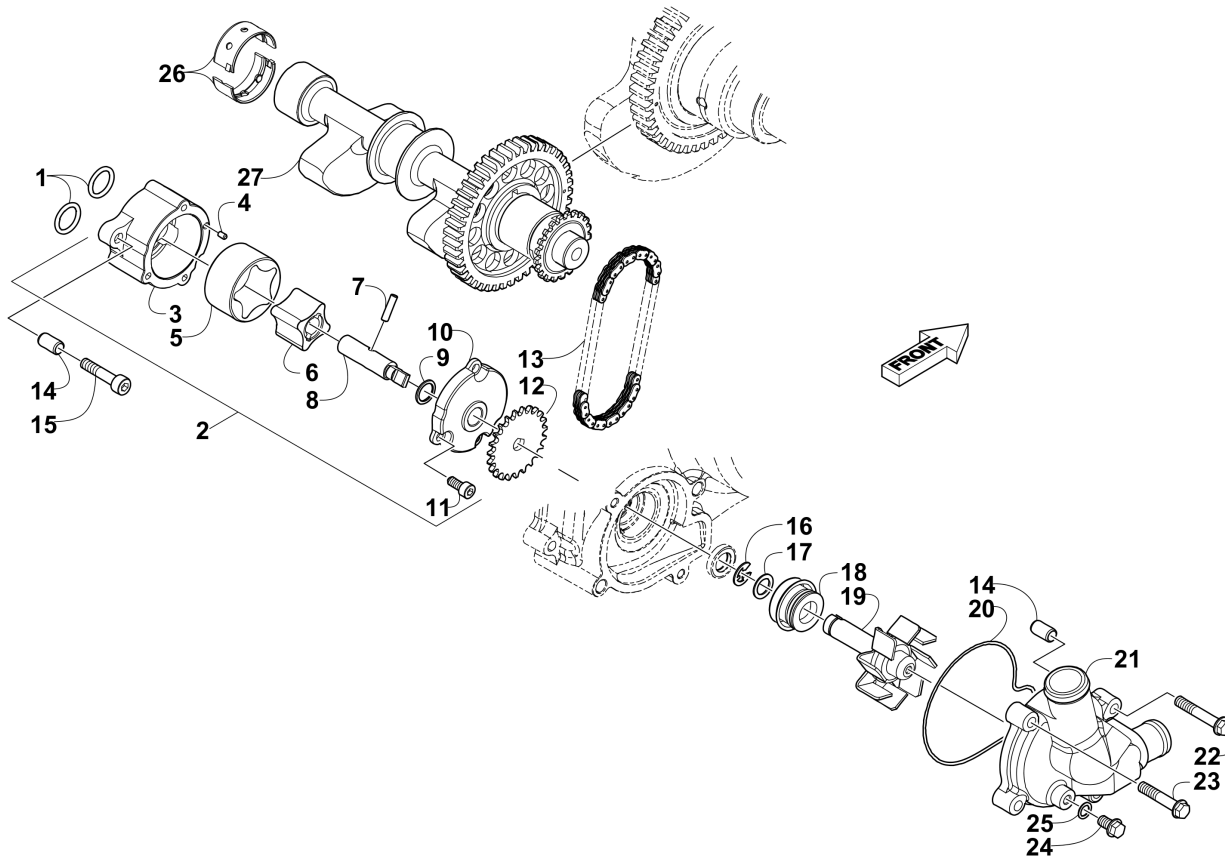
Item	Part No.	Qty	Name	Context	Footnote
1	3307-028	1	Stator - Assembly		
2	3303-308	2	Screw, Cap		
3	3305-945	3	Screw, Cap		
4	3307-031	1	Screw, Cap		
5	3307-032	1	Washer		
6	0826-120	6	Screw, Cap		
7	3307-027	1	Rotor/Flywheel		
8	3307-026	1	Outer Cover, Starting Clutch		
9	3307-025	1	Gear, Starting Clutch - Outer		
10	0815-007	1	Pin, Starter Idler Gear No. 1		
11	3306-796	1	Gear, Starter Reduction		

OIL PAN AND STRAINER ASSEMBLY [300035]



Item	Part No.	Qty	Name	Context	Footnote
1	3306-917	1	Pipe, Oil		
2	3306-922	4	Seal		
3	3306-921	2	Screw, Cap		
4	3306-916	1	Valve, Oil Relief - Assembly		
5	3306-919	1	Seal, Strainer		
6	3306-918	1	Strainer, Fuel - Assembly		
7	3306-974	1	Pan, Oil		
8	3306-973	1	Gasket, Crankcase - Right Side		
9	3306-925	1	Plug, Drain - w/Washer		
10	3303-341	2	Pin, Dowel		
11	3305-945	2	Screw, Cap		
12	3303-384	8	Bolt, Flange		

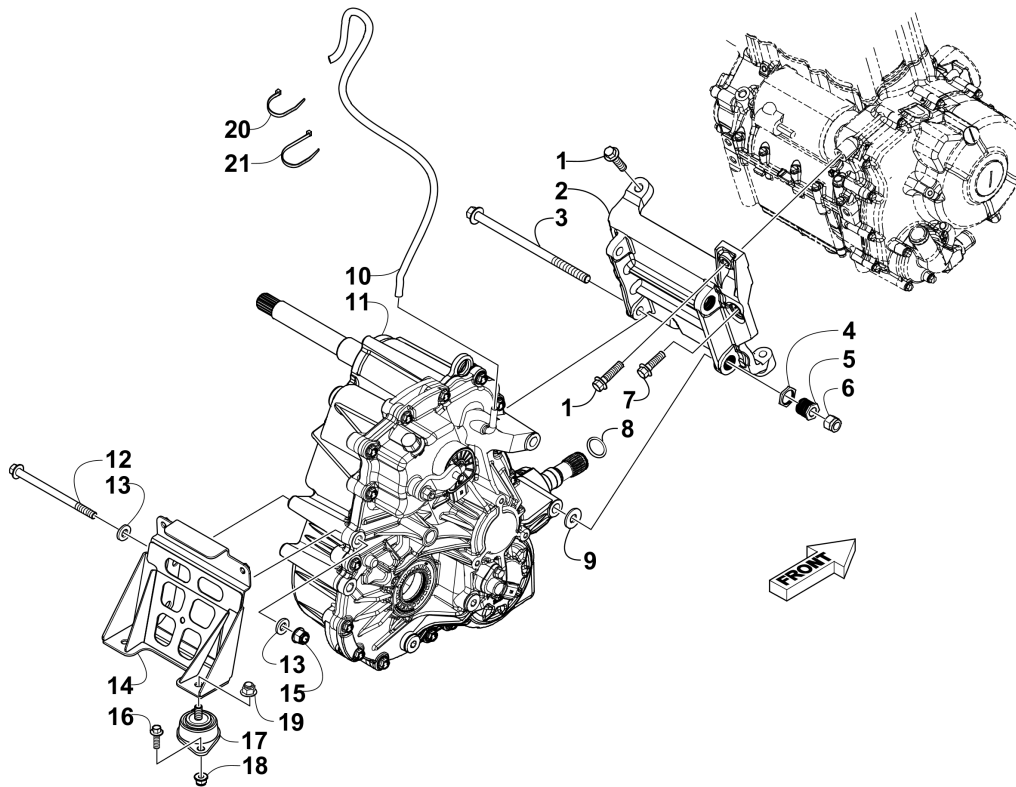
OIL PUMP AND WATER PUMP ASSEMBLIES [300036]



Item	Part No.	Qty	Name	Context	Footnote
1	3307-035	2	O-Ring		
2	3307-013	1	Oil Pump Assembly	(inc. 3-11)	
3	3307-019	1	Body, Oil Pump		
4	3307-036	1	Pin, Dowel		
5	3307-020	1	Rotor, Oil Pump - Outer		
6	3307-021	1	Rotor, Oil Pump - Inner		
7	0812-036	1	Pin, Driven Gear		
8	3306-797	1	Shaft, Oil Pump		
9	3307-017	1	Washer		
10	3307-014	1	Cover, Oil Pump		
11	3307-015	3	Bolt		
12	3307-016	1	Sprocket, Oil Pump Drive		
13	3307-018	1	Chain, Oil Pump		
14	3303-341	4	Pin, Dowel		
15	3303-398	2	Screw, Cap		
16	3307-038	1	E-Ring		
17	3307-033	1	Washer, Thrust		
18	3307-083	1	Seal, Mechanical		
19	3307-024	1	Shaft, Impeller		
20	3307-023	1	O-Ring		

Item	Part No.	Qty	Name	Context	Footnote
21	3306-798	1	Cover, Water Pump		
22	3303-385	2	Screw, Cap		
23	3303-386	2	Bolt, Flange		
24	3304-186	1	Screw, Cap		
25	3304-049	1	Washer		
26	3307-010	6	Bearing, Crankshaft - Brown		
26	3307-121	6	Bearing, Crankshaft - Green		
26	3307-122	6	Bearing, Crankshaft - Yellow		
27	3307-012	1	Shaft, Balancer		

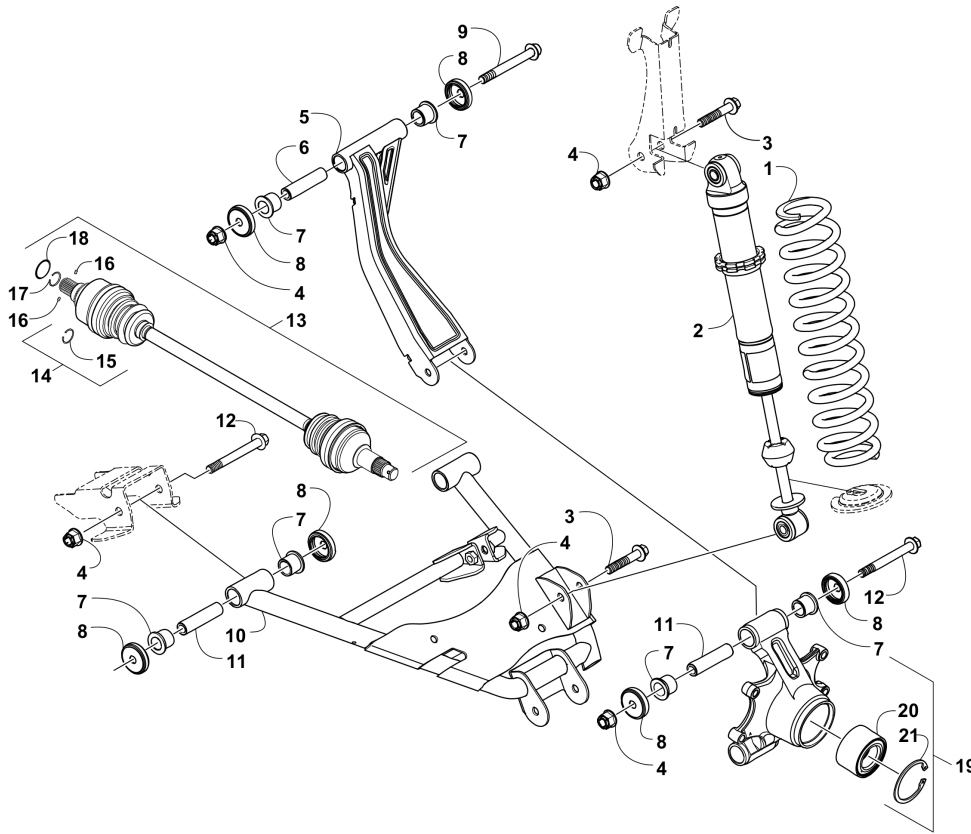
REAR DRIVE SYSTEM {301058}



Item	Part No.	Qty	Name	Context	Footnote
1	8409-041	6	Screw, Cap		
2	0408-040	1	Bracket, Engine/Transaxle		
3	1423-243	2	Screw, Cap		
4	1423-245	2	Nut, Jam		
5	1423-244	2	Nut, Adjuster		
6	1623-965	2	Nut, Lock		
7	8413-031	1	Screw, Cap		
8	1423-090	1	O-Ring		
9	0623-728	2	Washer		
10	0410-070	AR	Hose - 25 ft		
11	2502-305	1	Transaxle, Rear		
12	1623-729	2	Screw, Cap		
13	0423-426	4	Washer		
14	0508-016	1	Bracket, Transaxle		
15	1423-334	2	Nut, Lock		
16	8408-825	4	Screw, Cap		
17	0408-064	2	Mount, Engine - w/Stud		
18	8427-802	4	Nut, Lock		
19	8427-002	2	Nut, Lock		
20	0123-903	AR	Tie, Cable - 11.5 in.		

Item	Part No.	Qty	Name	Context	Footnote
21	0123-788	AR	Tie, Cable - 8 in.		

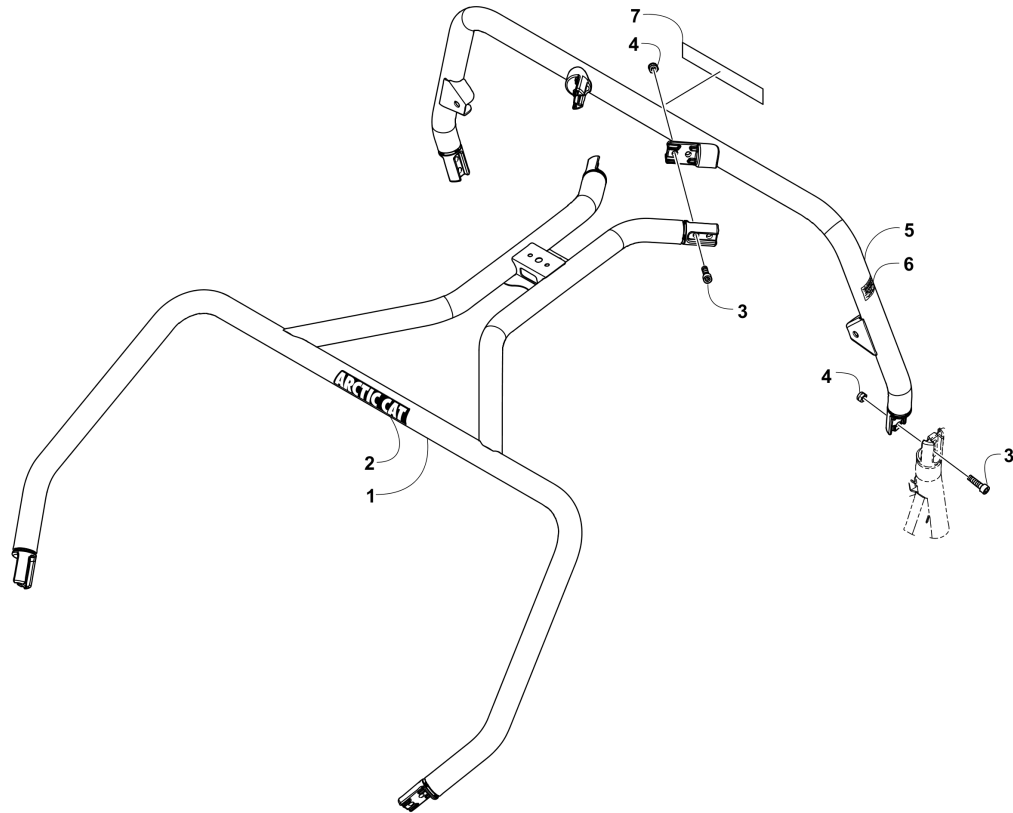
REAR SUSPENSION ASSEMBLY [301326]



Item	Part No.	Qty	Name	Context	Footnote
1	0504-874	2	Spring, Suspension - Black		
2	0404-306	2	Shock Absorber		
3	8409-055	4	Screw, Cap		
4	1423-334	14	Nut, Lock		
5	0504-898	1	A-Arm, Rear - Upper Right	(inc. 6-8)	
5	0504-899	1	A-Arm, Rear - Upper Left	(inc. 6-8)	
6	0403-305	2	Sleeve		
7	0403-264	20	Bushing		
8	1423-204	20	Seal		
9	1423-266	2	Screw, Cap		
10	1504-036	1	A-Arm, Rear - Lower Right	(inc. 7-8 and 11)	
10	1504-037	1	A-Arm, Rear - Lower Left	(inc. 7-8 and 11)	
11	0403-250	8	Sleeve		
12	8413-090	8	Screw, Cap		
13	2502-349	2	Kit, Halfshaft	(inc. 14-17)	
14	2436-112	2	Repair Kit, Boot	(inc. 15)	
15	1441-988	2	Clip, Retaining		
16	1402-885	4	Pin, Detent		
17	1402-889	2	Clip, Retaining		
18	1402-963	2	O-ring		

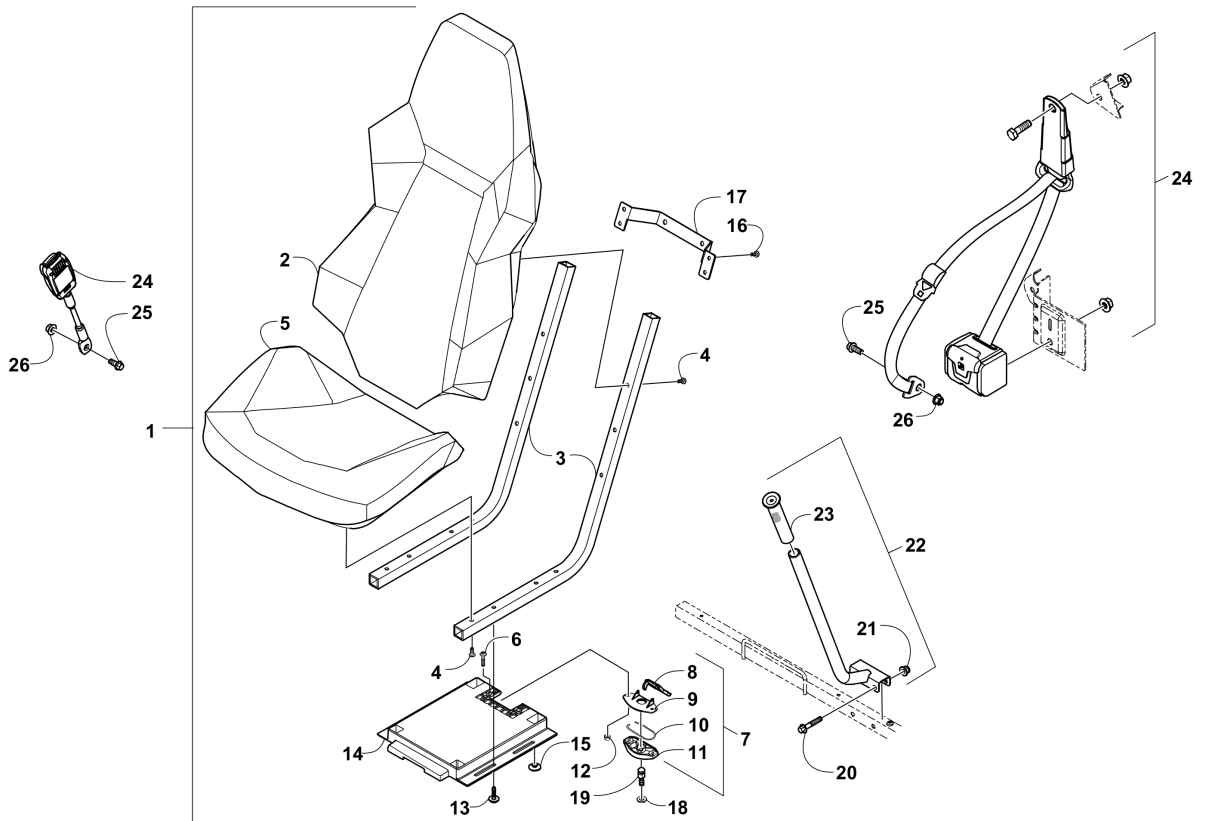
Item	Part No.	Qty	Name	Context	Footnote
19	0504-681	2	Knuckle, Rear - Assembly	(inc. 7-8, 11, and 20-21)	
20	1402-809	2	Bearing		
21	0423-423	2	Ring, Retaining		

ROPS ASSEMBLY [301060]



Item	Part No.	Qty	Name	Context	Footnote
1	5506-123	1	ROPS - Front Assembly		
2	5411-509	1	Decal, Arctic Cat		
3	1423-140	12	Screw, Cap		
4	1423-161	12	Nut, Lock		
5	5506-607	1	ROPS - Rear Assembly	(inc. 6)	
6	3411-970	1	Decal, Warning - ROPS		
7	4411-075	1	Decal, Wildcat		

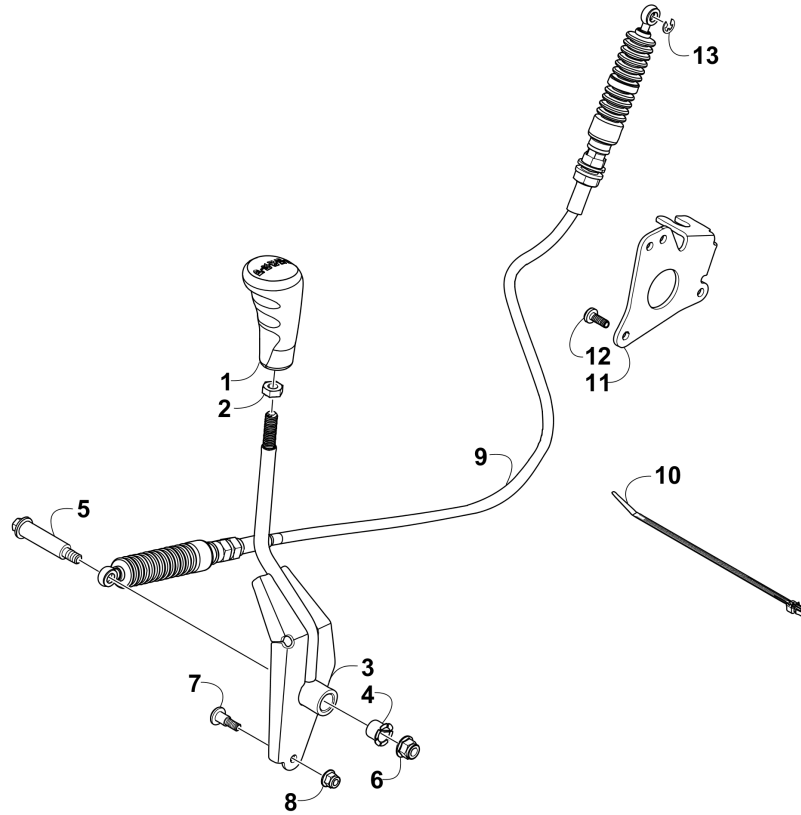
SEAT ASSEMBLY [301061]



Item	Part No.	Qty	Name	Context	Footnote
1	5506-215	2	Seat - Assembly	(inc. 2-17)	
2	5506-137	2	Seat Back - Black		
3	4406-565	4	Frame Tube, Seat		
4	8468-617	16	Screw, Machine		
5	5506-136	2	Base, Seat		
6	8468-625	4	Screw, Machine		
7	2706-164	2	Latch, Seat - Assembly	(inc. 8-11)	
8	2606-854	2	Lever, Seat Latch		
9	1673-635	2	Cover, Latch		
10	0673-023	2	Clip, Spring		
11	1673-634	2	Back, Latch		
12	0623-038	4	Nut w/Washer		
13	0423-609	8	Screw, Machine		
14	4406-287	2	Mount, Seat Latch		
15	4406-566	8	Bumper		
16	0423-538	8	Screw, Self-Tapping		
17	5506-670	2	Brace, Seat		
18	8050-282	2	Washer		
19	1423-254	2	Stud, Latch - Seat		
20	8408-845	2	Screw, Cap		

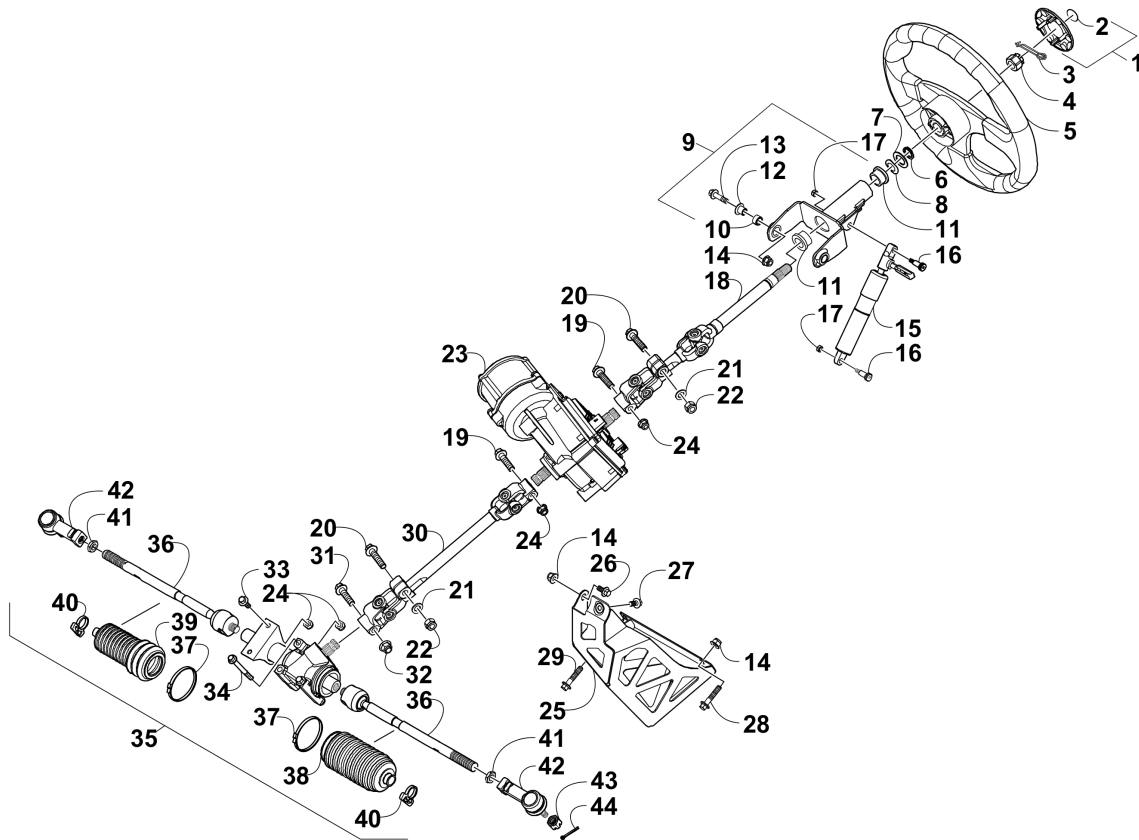
Item	Part No.	Qty	Name	Context	Footnote
21	8427-802	2	Nut, Lock		
22	5506-246	1	Handle - Assembly	(inc. 23)	
23	4606-945	1	Grip, Handlebar		
24	5506-243	2	Belt, Seat		
25	1423-182	4	Screw, Cap		
26	1423-184	4	Nut, Lock		

SHIFTER ASSEMBLY [300018]



Item	Part No.	Qty	Name	Context	Footnote
1	2402-123	1	Knob, Shift		
2	0423-885	1	Nut		
3	2502-186	1	Lever, Shift		
4	2402-213	2	Bushing		
5	0423-505	1	Screw, Shoulder		
6	8427-802	1	Nut, Lock		
7	0423-356	1	Screw, Shoulder		
8	8427-602	1	Nut, Lock		
9	0487-089	1	Cable, Shift		
10	0423-075	1	Tie, Cable - Push-Mount		
11	2402-113	1	Bracket, Shift Cable		
12	0423-538	3	Screw, Self-Tapping		
13	0124-057	1	E-Ring		

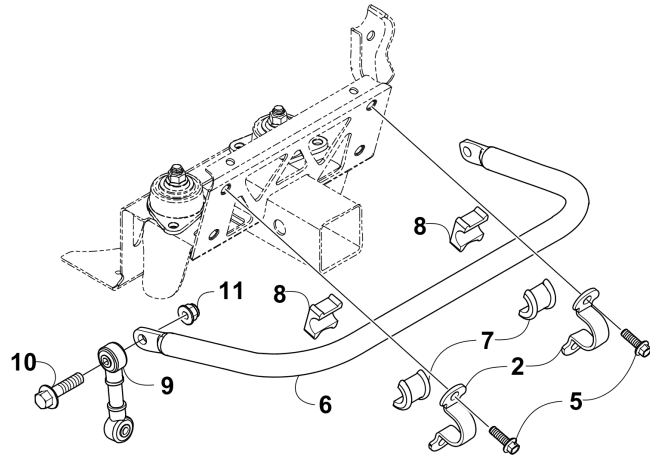
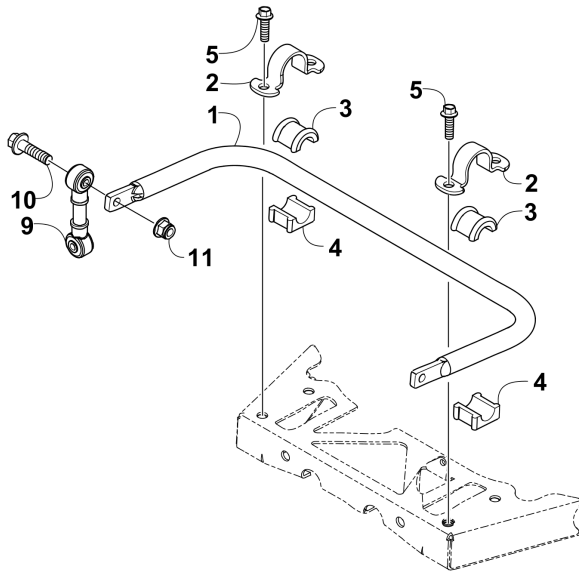
STEERING ASSEMBLY [301141]



Item	Part No.	Qty	Name	Context	Footnote
1	0505-690	1	Cap, Steering Wheel	(inc. 2)	
2	1411-798	1	Decal, Steering Wheel		
3	1423-045	1	Clip, Retaining		
4	0423-884	1	Nut		
5	0405-398	1	Wheel, Steering		
6	1423-110	1	Ring, Retaining		
7	0423-558	1	Washer		
8	0828-071	1	Washer		
9	0505-891	1	Tilt Steering - Sub Assembly	(inc. 10-11)	
10	0405-405	2	Bushing		
11	0405-473	2	Bushing		
12	0423-669	2	Spacer		
13	8408-831	2	Screw, Cap		
14	8427-802	5	Nut, Lock		
15	0405-468	1	Lift, Support		
16	1423-250	2	Screw, Shoulder		
17	0623-056	2	Nut, Lock		
18	0405-523	1	Shaft, Steering - Upper		
19	8409-020	4	Screw, Cap		
20	8409-045	2	Screw, Cap		

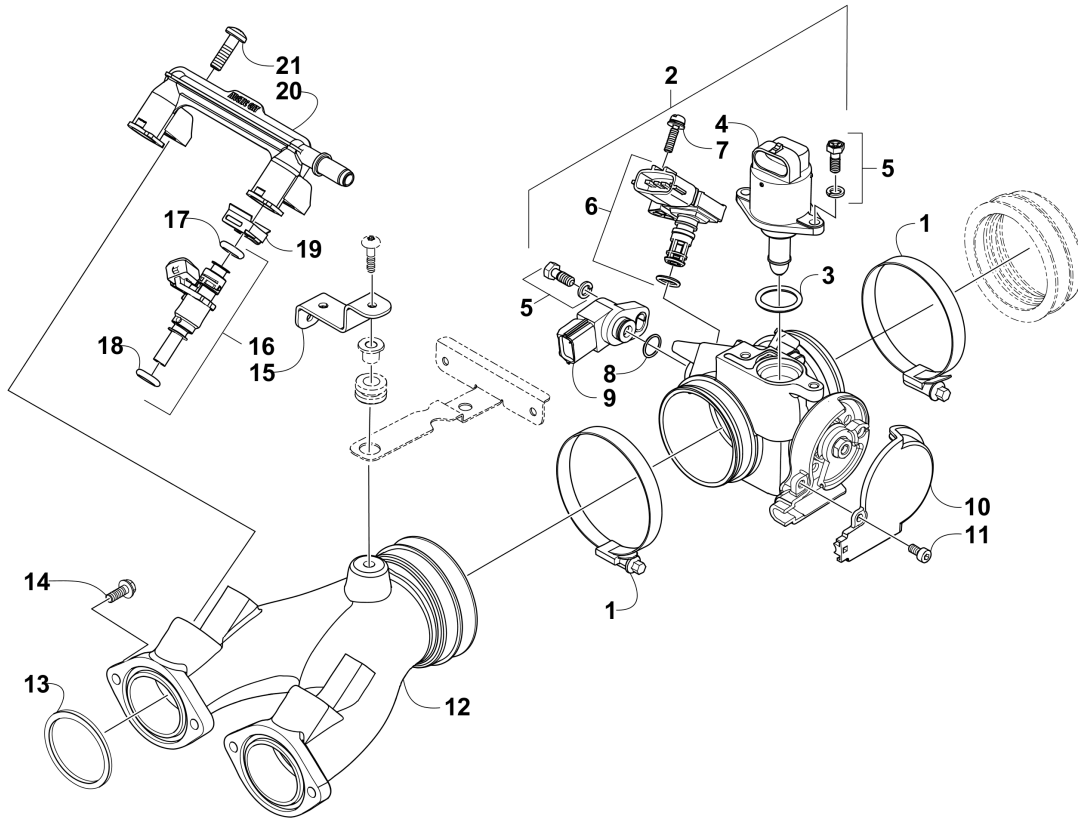
Item	Part No.	Qty	Name	Context	Footnote
21	8450-157	2	Washer		
22	8422-002	2	Nut, Lock		
23	0505-887	1	Assembly, Electronic Power Steering		
24	8422-802	4	Nut, Lock		
25	0405-530	1	Bracket, Mounting		
26	8408-816	1	Screw, Cap		
27	8408-818	1	Screw, Cap		
28	8408-840	2	Screw, Cap		
29	8408-845	1	Screw, Cap		
30	0405-524	1	Shaft, Steering - Lower		
31	8409-040	1	Screw, Cap		
32	8427-002	1	Nut, Lock		
33	8408-820	2	Screw, Cap		
34	8408-886	2	Screw, Cap		
35	0505-819	1	Rack and Pinion - Assembly	(inc. 36-42)	
36	0405-485	2	End, Tie Rod - Inner		
37	0405-505	2	Clamp, Bellow - Large		
38	0405-487	1	Bellow - Driver Side		
39	0405-488	1	Bellow - Passenger Side		
40	0405-504	2	Clamp, Bellow - Small		
41	1423-226	2	Nut, Jam - Outer		
42	0405-486	2	End, Tie Rod - Outer		
43	0423-072	2	Nut		
44	0623-175	2	Pin, Cotter		

SWAY BAR ASSEMBLIES [301107]



Item	Part No.	Qty	Name	Context	Footnote
1	0503-728	1	Bar, Sway - Front		
2	0404-135	4	Clamp, Sway Bar Bushing		
3	0404-094	2	Bushing, Sway Bar		
4	0404-095	2	Bushing, Sway Bar		
5	8409-016	8	Screw, Cap		
6	0504-835	1	Bar, Sway - Black		
7	0404-282	2	Bushing, Sway Bar		
8	0404-283	2	Bushing, Sway Bar		
9	0404-522	4	Link, Sway Bar		
10	8413-842	8	Screw, Cap		
11	8427-802	8	Nut, Lock		

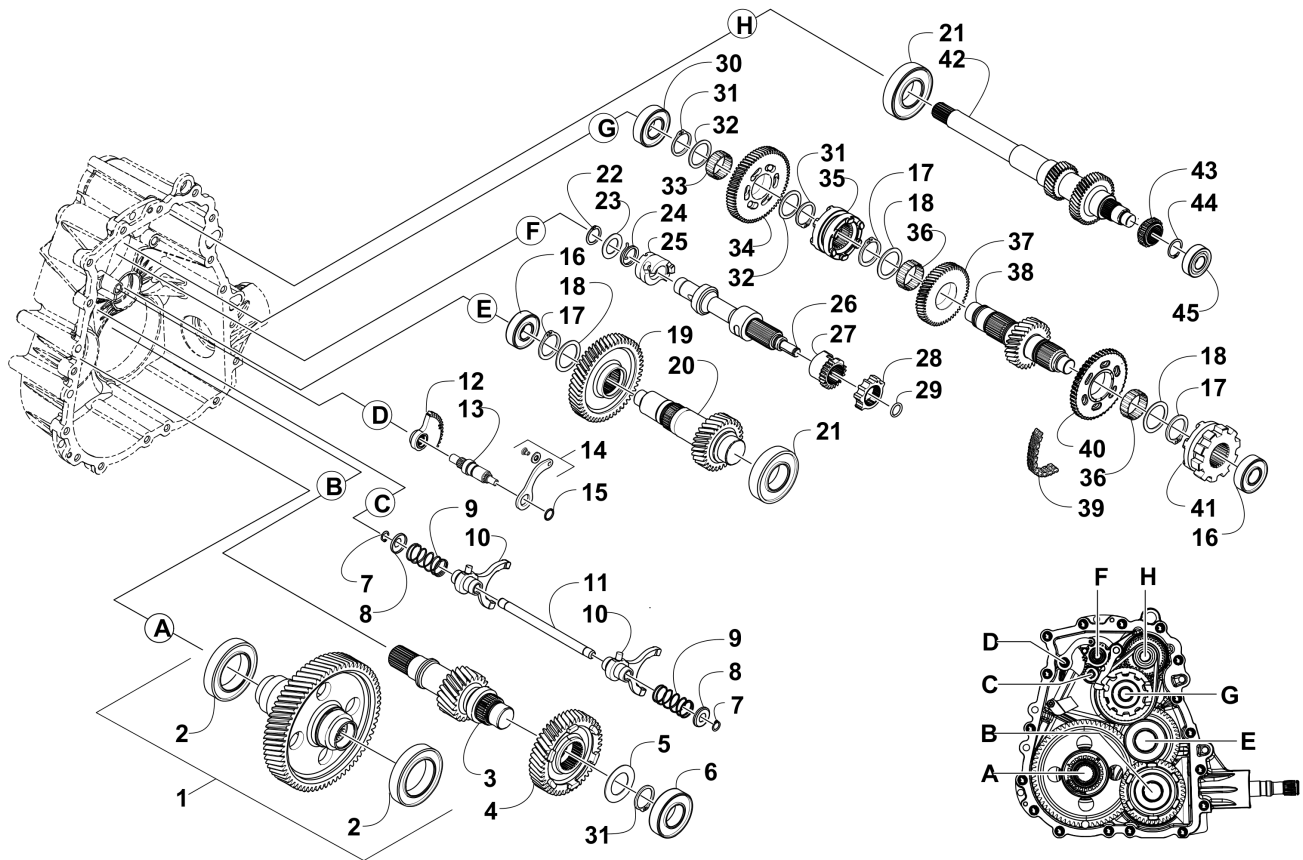
THROTTLE BODY ASSEMBLY [300030]



Item	Part No.	Qty	Name	Context	Footnote
1	0423-018	2	Clamp, Hose		
2	0570-390	1	Throttle Body - Assembly	(inc. 3-9)	
3	0832-088	1	Seal		
4	0824-054	1	Valve, Bypass - Idle Air		
5	1423-081	3	Screw, Cap		
6	0824-052	1	Sensor, T-MAP		
7	1423-080	1	Screw, Machine		
8	3306-150	1	O-Ring		
9	0824-067	1	Sensor, Throttle Position		
10	0470-961	1	Cover		
11	1423-095	1	Screw, Cap		
12	0570-375	1	Manifold, Intake		
13	0470-531	2	O-Ring		
14	3303-383	4	Bolt		
15	1470-058	1	Bracket, Injector		
16	3306-251	2	Injector, Fuel	(inc. 17-18)	
17	3307-074	1	O-Ring - A		
18	3307-075	1	O-Ring - B		
19	3306-253	2	Clip, Retaining		
20	1470-009	1	Rail, Fuel		

Item	Part No.	Qty	Name	Context	Footnote
21	3303-382	2	Bolt, Flange		

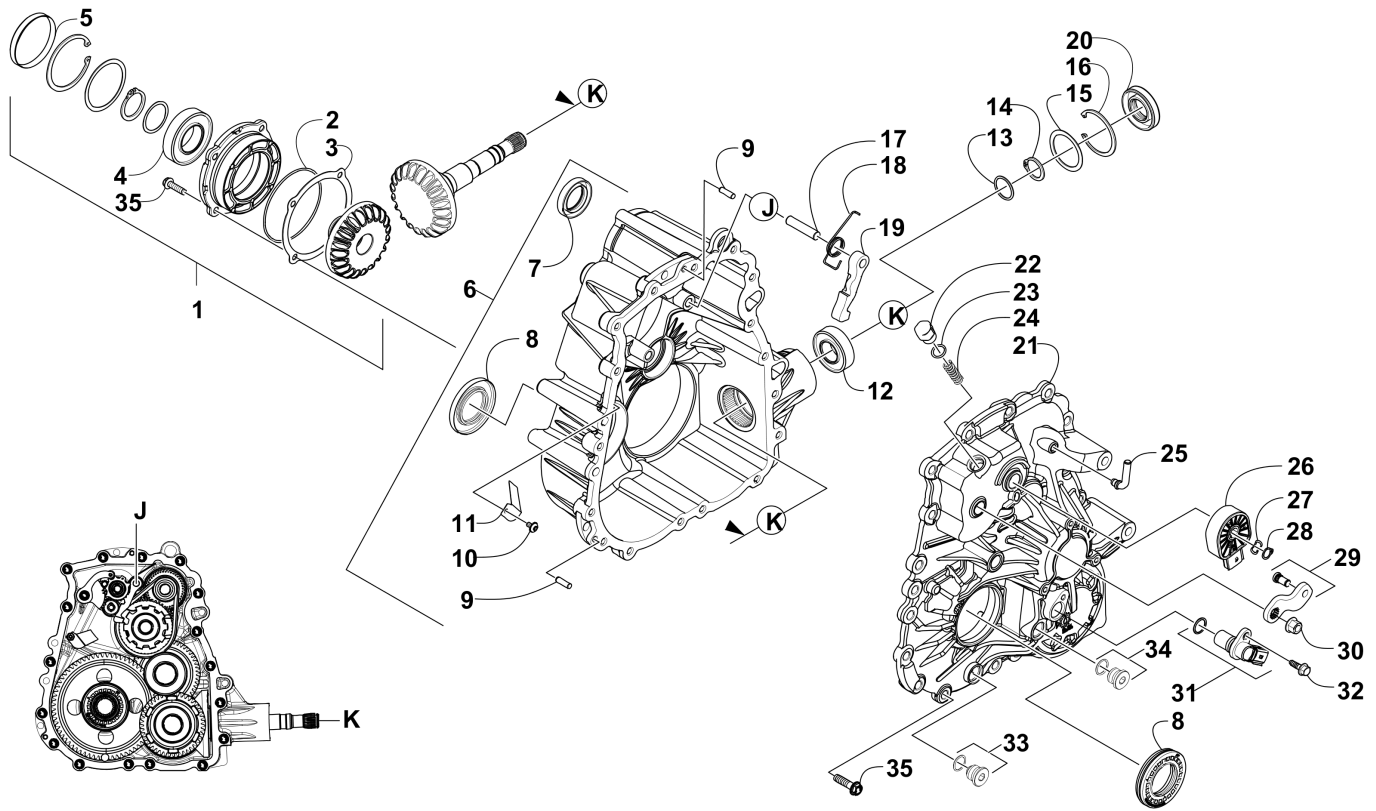
TRANSAXLE ASSEMBLY [301064]



Item	Part No.	Qty	Name	Context	Footnote
1	0817-047	1	Output, Gear - Assembly	(inc. 2)	
2	0817-029	2	Bearing		
3	0817-052	1	Shaft, Gear - 22T		
4	0817-059	1	Gear - 46T		
5	0817-010	1	Washer		
6	0817-030	1	Bearing		
7	0817-016	2	Ring, Retaining		
8	0817-008	2	Washer		
9	0817-085	2	Spring		
10	0817-062	2	Fork, Shift		
11	0817-050	1	Rail, Shift Shaft		
12	0817-043	1	Gear - 47T		
13	0817-061	1	Shaft, Shift		
14	0817-066	1	Pawl		
15	0817-074	1	O-Ring		
16	0817-027	2	Bearing		
17	0817-018	3	Ring, Snap		
18	0817-009	3	Washer		
19	0817-060	1	Gear - 52T		
20	0817-046	1	Shaft, Idler - 29T		

Item	Part No.	Qty	Name	Context	Footnote
21	0817-031	2	Bearing		
22	0817-020	1	Ring		
23	0817-063	1	Spacer		
24	0817-084	1	Spring		
25	0818-168	1	Cam		
26	0817-083	1	Drum, Shift		
27	0817-042	1	Gear - 52T		
28	0817-044	1	Star, Detent		
29	0817-073	1	O-Ring		
30	0817-028	1	Bearing		
31	0817-017	3	Ring, Retaining		
32	0817-022	2	Washer		
33	0817-032	1	Bearing		
34	0817-056	1	Gear - 66T		
35	0817-058	1	Engagement Dog, 6 Face		
36	0817-026	2	Bearing		
37	0817-054	1	Gear - 53T		
38	0817-049	1	Shaft, Reverse - 27T		
39	0817-071	1	Chain		
40	0817-055	1	Sprocket - 48T		
41	0817-053	1	Shift Dog, Park		
42	0817-021	1	Shaft, Input		
43	0817-045	1	Sprocket - 20T		
44	0817-013	1	Ring, Retaining		
45	0817-033	1	Bearing		

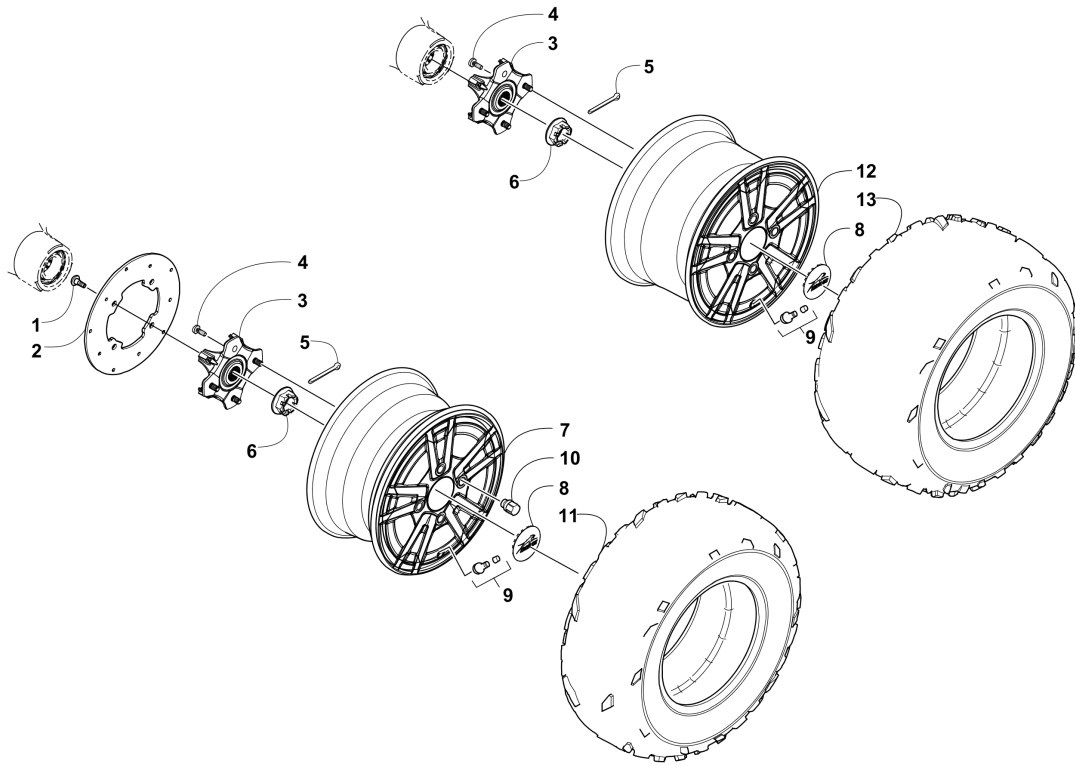
TRANSAXLE CASE/COVER [301065]



Item	Part No.	Qty	Name	Context	Footnote
1	0817-068	1	Pinion, Rear - Assembly	(inc. 2-5)	
2	0817-081	1	O-Ring		
3	0817-025	1	Kit, Shim		
4	0817-078	1	Bearing		
5	0817-080	1	Plug		
6	0817-069	1	Case - Assembly	(inc. 7-16)	
7	0817-079	1	Seal		
8	0817-076	2	Seal		
9	0817-077	2	Pin, Dowel		
10	0817-004	1	Screw, Self-Tapping		
11	0817-070	1	Deflector, Oil		
12	0817-028	1	Bearing		
13	0817-024	1	Kit, Shim		
14	0817-015	1	Ring, Retaining		
15	0817-023	1	Kit, Shim		
16	0817-012	1	Ring, Retaining		
17	0817-011	1	Pin, Dowel		
18	0817-086	1	Spring		
19	0817-087	1	Pawl, Park		
20	0817-072	1	Seal		

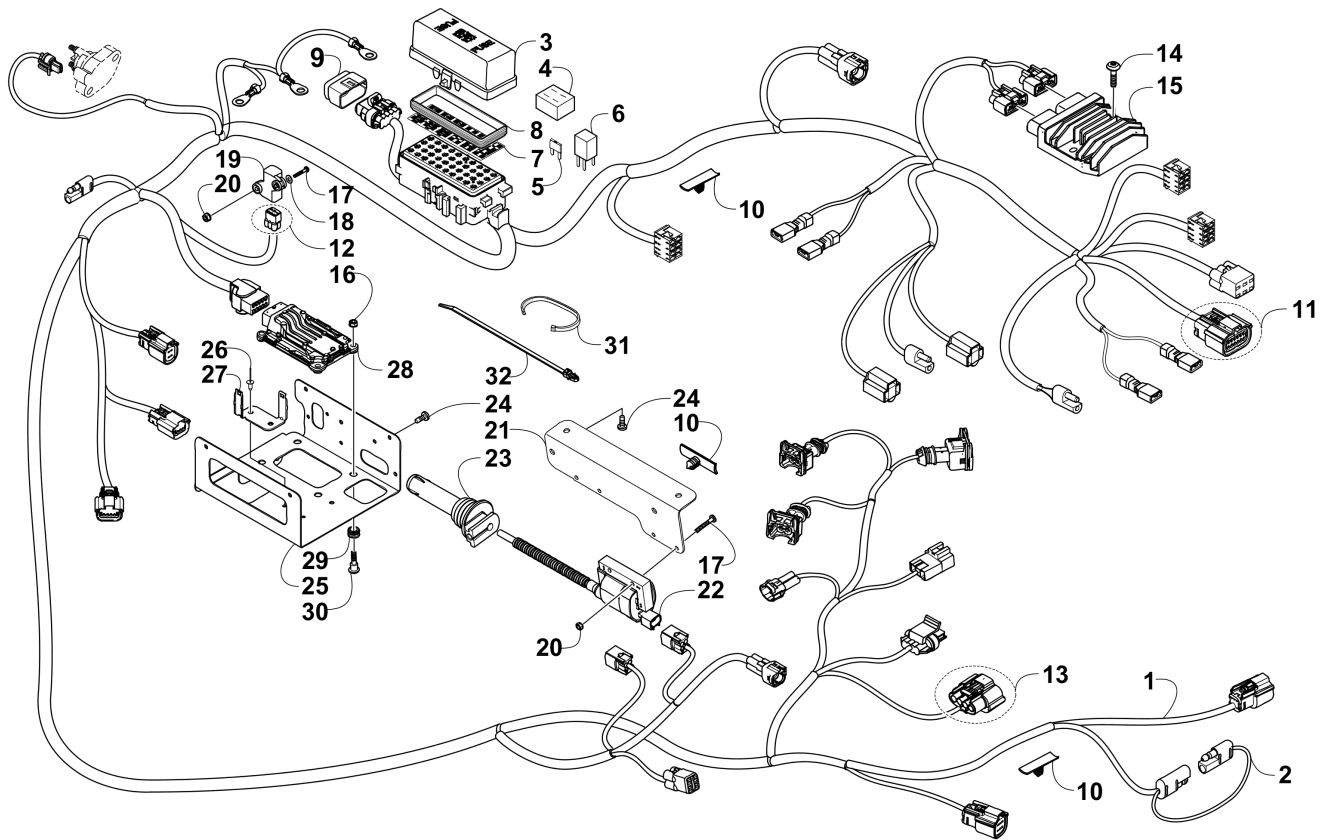
Item	Part No.	Qty	Name	Context	Footnote
21	0817-040	1	Cover		
22	0817-065	1	Plug		
23	0817-075	1	O-Ring		
24	0817-036	1	Spring		
25	0817-051	1	Fitting, Elbow		
26	0409-151	1	Switch, Gear Position		
27	0817-037	1	Spring		
28	0817-019	1	Ring, Retaining		
29	0817-067	1	Kit, Bell Crank		
30	0817-007	1	Nut, Lock		
31	0430-121	1	Sensor, Speedometer		
32	0817-006	1	Screw, Speed		
33	0817-003	1	Plug		
34	0817-002	1	Plug		
35	0817-005	21	Screw, Hex		

WHEEL AND TIRE ASSEMBLY [301327]



Item	Part No.	Qty	Name	Context	Footnote
1	0423-557	16	Screw, Shoulder		
2	2402-002	4	Disc, Brake		
3	1502-462	4	Hub, Wheel	(inc. 4)	
4	0402-974	16	Stud		
5	0423-407	4	Pin, Cotter		
6	0423-607	4	Nut, Castle		
7	2402-310	2	Wheel - Front - Aluminum - Orange	(inc. 8)	
8	2402-197	1	Cap		
9	0402-064	4	Stem, Valve - w/Cap		
10	1423-260	16	Nut, Lug - Black		
11	2402-111	2	Tire - Front		
12	2402-311	2	Wheel - Rear - Aluminum - Orange	(inc. 8)	
13	2402-112	2	Tire - Rear		

WIRING HARNESS ASSEMBLY [301156]



Item	Part No.	Qty	Name	Context	Footnote
1	0486-493	1	Harness, Main	(inc. 2-10)	
2	0486-164	1	Tether, Accessory Connector		
3	0430-085	1	Cover, Fuse Block		
4	0430-037	1	Holder, Fuse		
5	0430-032	5	Fuse - 10 Amp		
5	0430-031	5	Fuse - 15 Amp		
5	0430-030	3	Fuse - 30 Amp		
6	0430-045	4	Relay (4-Pin) - 20 Amp		
7	3411-964	1	Decal, Fuse Block		
8	0430-086	1	Seal		
9	0430-103	1	Cover, Diagnostics Connector		
10	0430-102	AR	Clip, Routing		
11	1436-818	1	Repair Kit, Connector - CAN Gauge		
12	1436-416	1	Repair Kit, Connector - Tilt Sensor		
13	1436-484	AR	Repair Kit, Connector - 4P - Map		
14	8476-625	2	Screw, Machine		
15	0824-072	1	Regulator, Voltage		
16	0623-038	3	Nut w/Washer		
17	8468-425	6	Screw, Machine		
18	0123-802	2	Washer		

Item	Part No.	Qty	Name	Context	Footnote
19	0409-064	1	Sensor, Tilt		
20	0423-493	6	Nut w/Washer		
21	4406-315	1	Bracket, Coil		
22	0824-079	2	Coil, Ignition - Assembly	(inc. 23)	
23	0824-075	2	Cap, Spark Plug		
24	0423-538	4	Screw, Self-Tapping		
25	5506-240	1	Tray, Electrical		
26	8060-686	2	Rivet		
27	0745-388	1	Bracket, Mounting - PDM		
28	0530-142	1	ECM		
29	0423-086	4	Grommet		
30	1423-217	4	Bolt, Shoulder		
31	0123-788	AR	Tie, Cable - 8 in.		
32	0423-075	AR	Tie, Cable - Push-Mount		



The illustrations used in this Parts Manual are for reference to replacement part numbers only and are not to be used for assembly. For assembly procedures, use an Arctic Cat Service Manual. For a complete list of related items, refer to the current accessory catalog. Once printed, Arctic Cat does not guarantee the accuracy of the information contained in this manual. Our parts lists and illustrations are constantly revised to reflect part number changes, discrepancies, and enhancements.

®™ Trademarks of Arctic Cat Inc., Thief River Falls, MN 56701