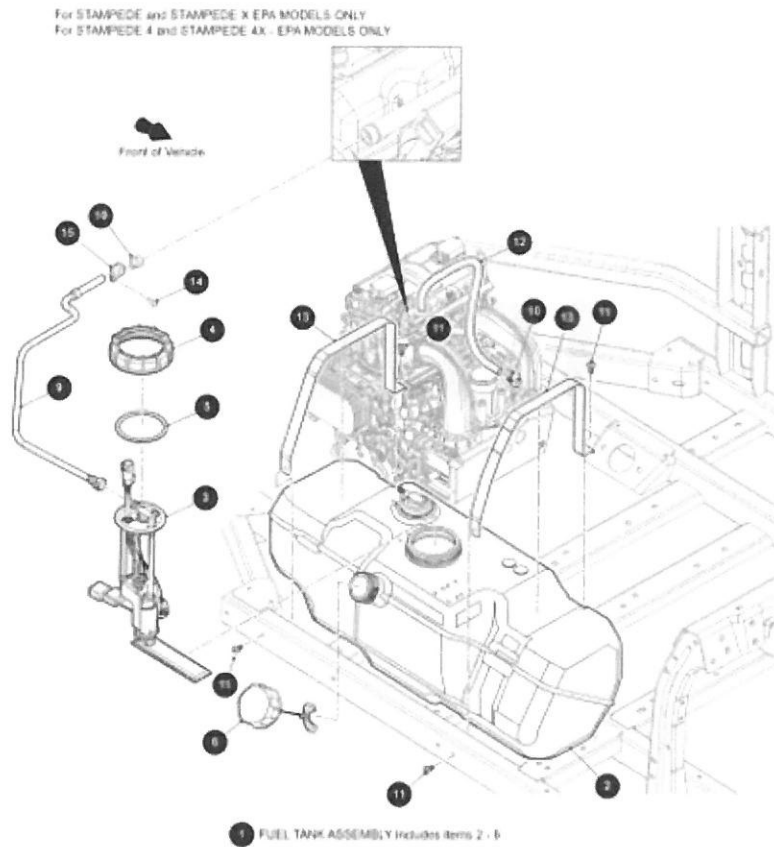


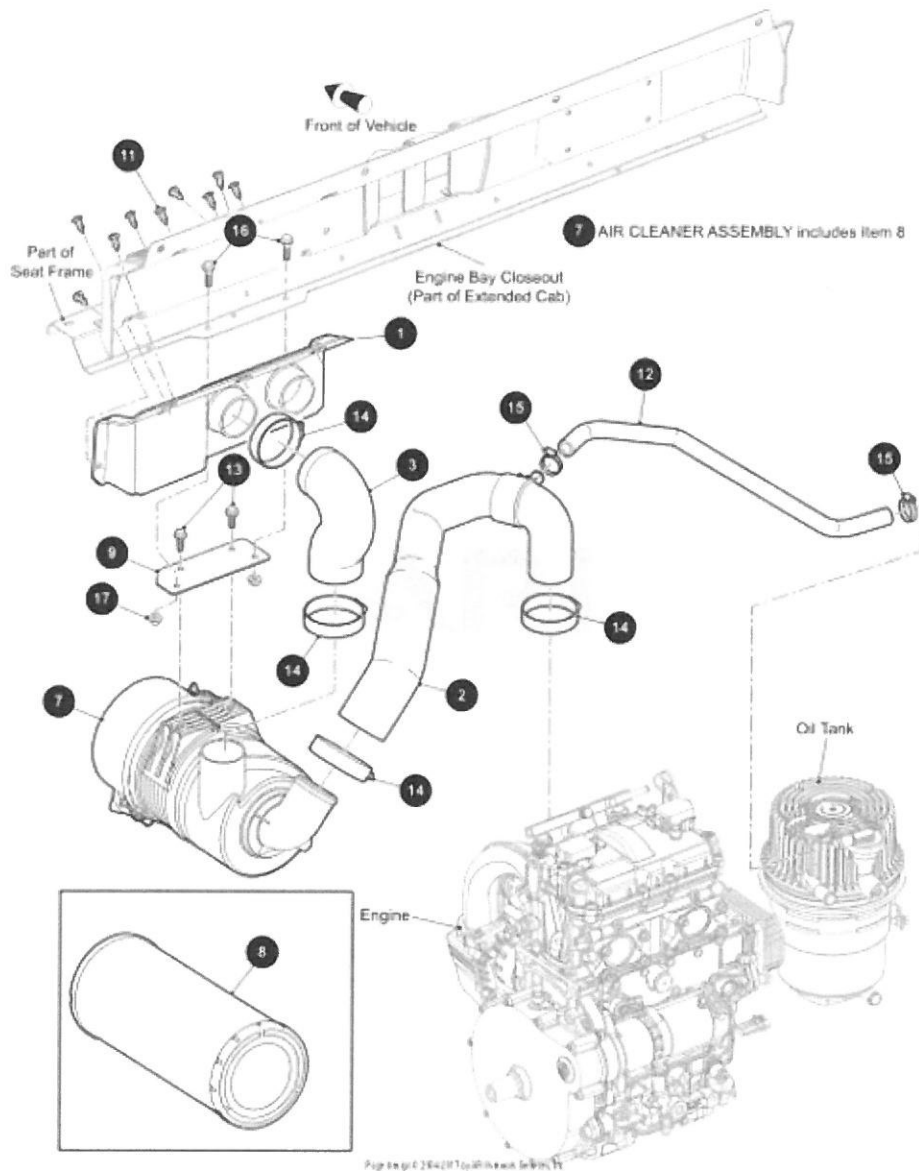
2018 STAMPEDE 4 BLACK [U2018SUW1SUSP] - 9 GALLON FUEL TANK ASSEMBLY [302418]



Page 8 of 10 © 2014-2017 by Arctic Cat Inc.

| Ref # | Part # | Description | Qty | Context Note | ACE Cost | ACE MSRP |
|-------|--------|--|-----|--------------|----------|----------|
| 1 | 659538 | FUEL TANK ASSEMBLY, 9 GAL. | 1 | (inc. 2 - 6) | | |
| 2 | 659536 | FUEL TANK | 1 | | | |
| 3 | 642827 | SVC_ASSY,FUEL PUMP,4 BAR | 1 | | | |
| 4 | 642858 | SVC_RING,FUEL PUMP,LOCKING | 1 | | | |
| 5 | 649707 | SVC_GASKET,PFA | 1 | | | |
| 6 | 635688 | CAP,FUEL,RATCHET GASKET KELCH | 1 | | | |
| 9 | 664586 | HOSE,FUEL | 1 | | | |
| 10 | 649481 | CLAMP,HOSE,013, 8-16MM | 2 | | | |
| 11 | 644969 | SCREW,M6X1X20,PAN WSHR HD,SLF TAP,T30 | 4 | | | |
| 12 | 649753 | VENT,TUBE,FUEL TANK | 1 | | | |
| 13 | 652124 | STRAP,FUEL TANK | 2 | | | |
| 14 | 645323 | SCREW,M6X1,PAN WSHR HD,T30 TORX | 1 | | | |
| 15 | 404018 | TUBE HANGER CLAMP / RSGU 1. 17/15 W5 | 1 | | | |

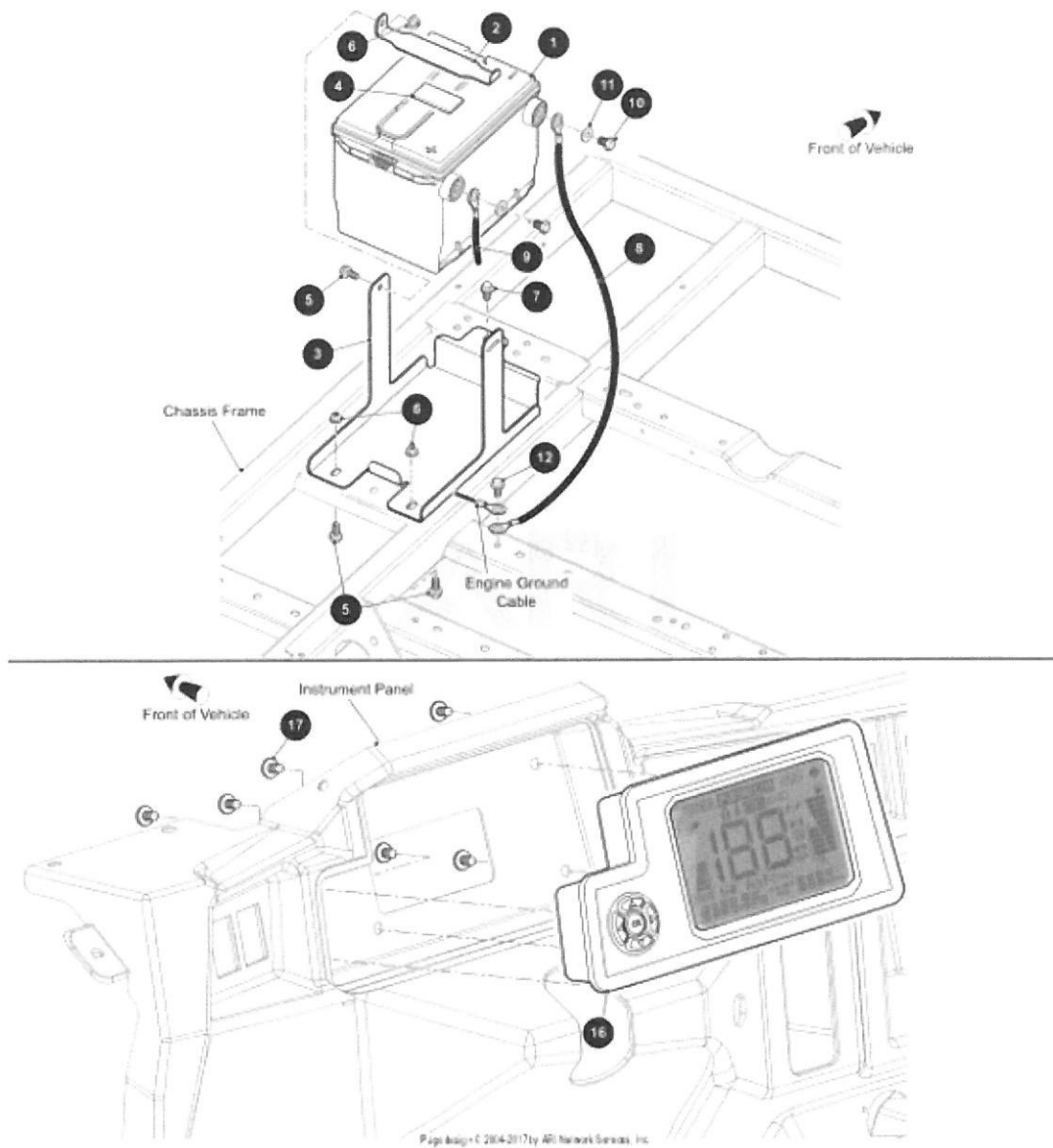
2018 STAMPEDE 4 BLACK [U2018SUW1SUSP] - AIR FILTER [302382]



Arctic Cat Electronic Parts Catalogs

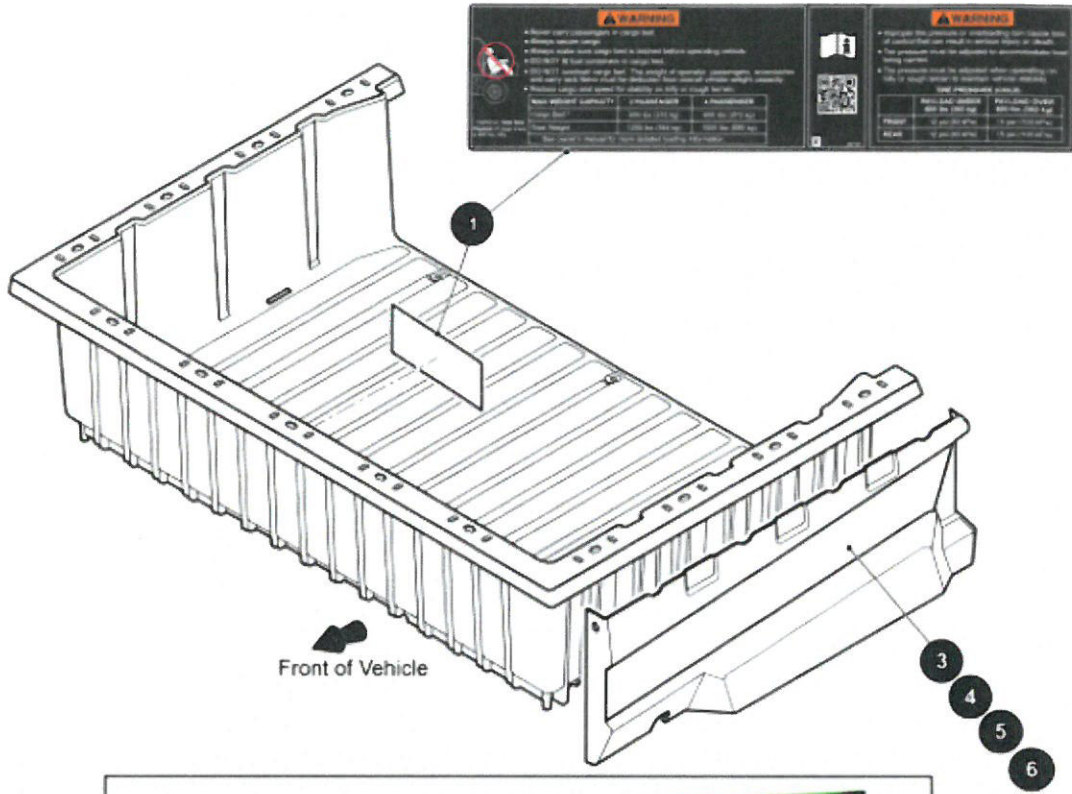
| Ref # | Part # | Description | Qty | Context Note | ACE Cost | ACE MSRP |
|-------|---------|--|-----|--------------|----------|----------|
| 1 | 646819 | AIR BOX CONNECTOR | 1 | | | |
| 2 | 646763 | HOSE, AIR CLEANER | 1 | | | |
| 3 | 646710 | HOSE, INTAKE TO AIR CLEANER | 1 | | | |
| 7 | 646705 | AIR CLEANER-ASSY | 1 | (inc. 8) | | |
| 8 | 652091 | SVC-FILTER, AIR CLEANER | 1 | | | |
| 9 | 650540 | BRKT, MOUNT, AIR CLEANER | 1 | | | |
| 11 | 667790 | REMOVABLE RIVET, 8.13MM DIA X 21MM LG | 9 | | | |
| 12 | 642127 | HOSE,16MM,BLOW BY | 1 | | | |
| 13 | 606261 | BOLT, HXFL,M8-1.25 X 20 | 2 | | | |
| 14 | 11391G2 | CLAMP,HOSE,2.06 | 4 | | | |
| 15 | 649482 | CLAMP,HOSE,032, 25-40MM | 2 | | | |
| 16 | 602330 | BOLT HXFL M8-1.25X30 | 2 | | | |
| 17 | 645956 | NUT,HXFL,PLS,LK,M8X1.25 | 2 | | | |

2018 STAMPEDE 4 BLACK [U2018SUW1SUSP] - BATTERY [302408]



| Ref # | Part # | Description | Qty | Context | Note | ACE Cost | ACE MSRP |
|-------|--------|-------------------------------|-----|---------|------|----------|----------|
| 1 | 637484 | BATT,12V,JCI,SIDE POSTS | 1 | | | | |
| 2 | 643272 | HOLD DOWN,BATTERY,GROUP 26 | 1 | | | | |
| 3 | 645960 | BATTERY TRAY,STARTER,GROUP 26 | 1 | | | | |
| 4 | 608513 | PAD, RUBBER | 1 | | | | |
| 5 | 606261 | BOLT, HXFL,M8-1.25 X 20 | 3 | | | | |
| 6 | 645956 | NUT,HXFL,PLS,LK,M8X1.25 | 3 | | | | |
| 7 | 640723 | SCREW,SELF TAPPING,M8X1.25X20 | 1 | | | | |
| 8 | 641525 | CABLE,6 AWG,333 MM,FRAME,B- | 1 | | | | |
| 9 | 646448 | CABLE,6 AWG,462 MM,FUSE,B+ | 1 | | | | |
| 10 | 651336 | BOLT,BATT,SIDE TERM | 2 | | | | |
| 11 | 614221 | NLA 3/8 GRADE 8 FLW | 2 | | | | |
| 12 | 452695 | SCRW, M6-1.00 X 20 TAPTITE | 1 | | | | |
| 16 | 639719 | DISPLAY,ASSEMBLY,UNFLASHED | 1 | | | | |
| 17 | 645881 | SCREW,M6X2.14X10MM,DELTA PT | 6 | | | | |

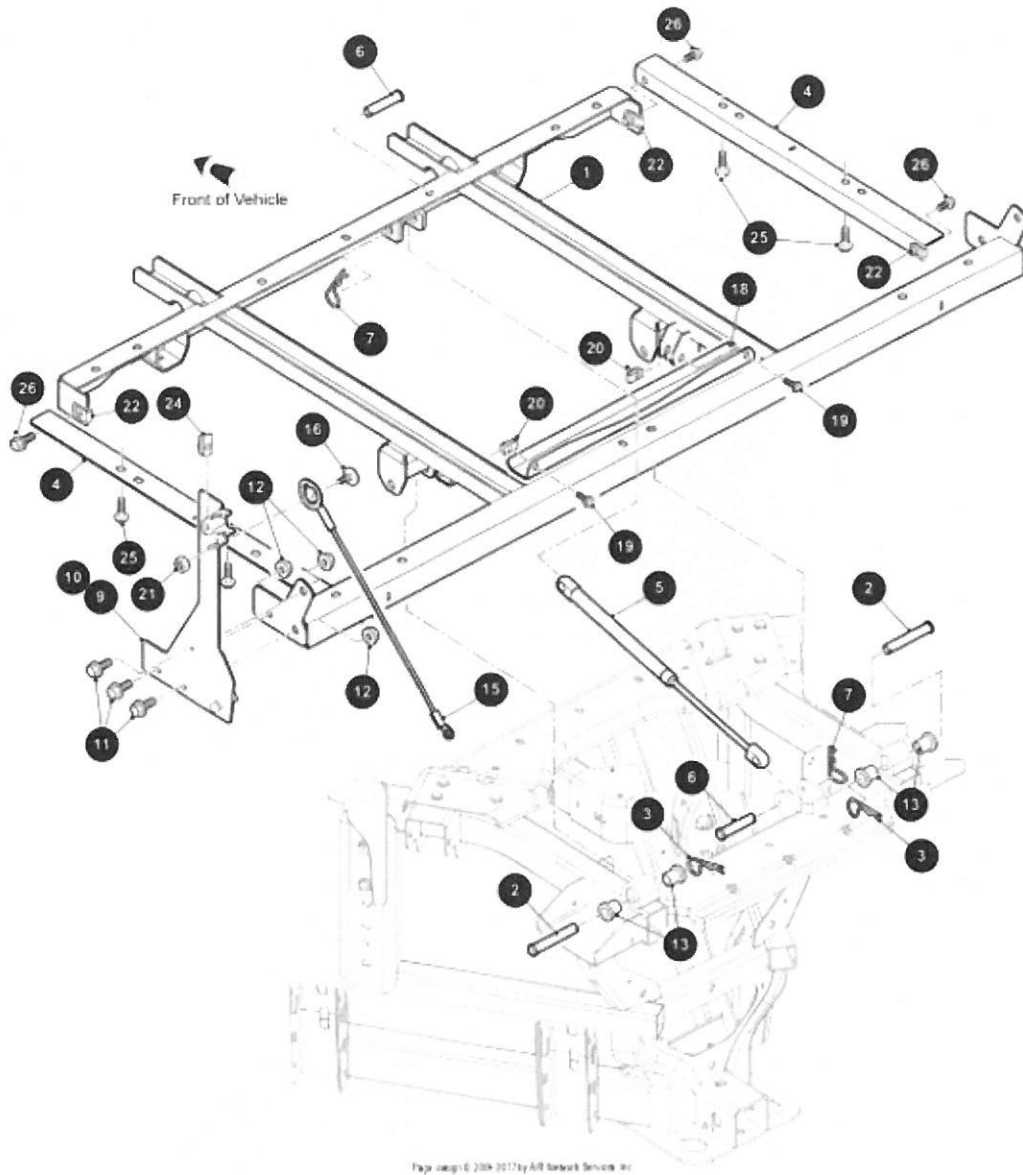
2018 STAMPEDE 4 BLACK [U2018SUW1SUSP] - BED CAPACITY LABEL [302440]



Part design © 2018 Arctic Cat Inc. Arctic Cat Service, Inc.

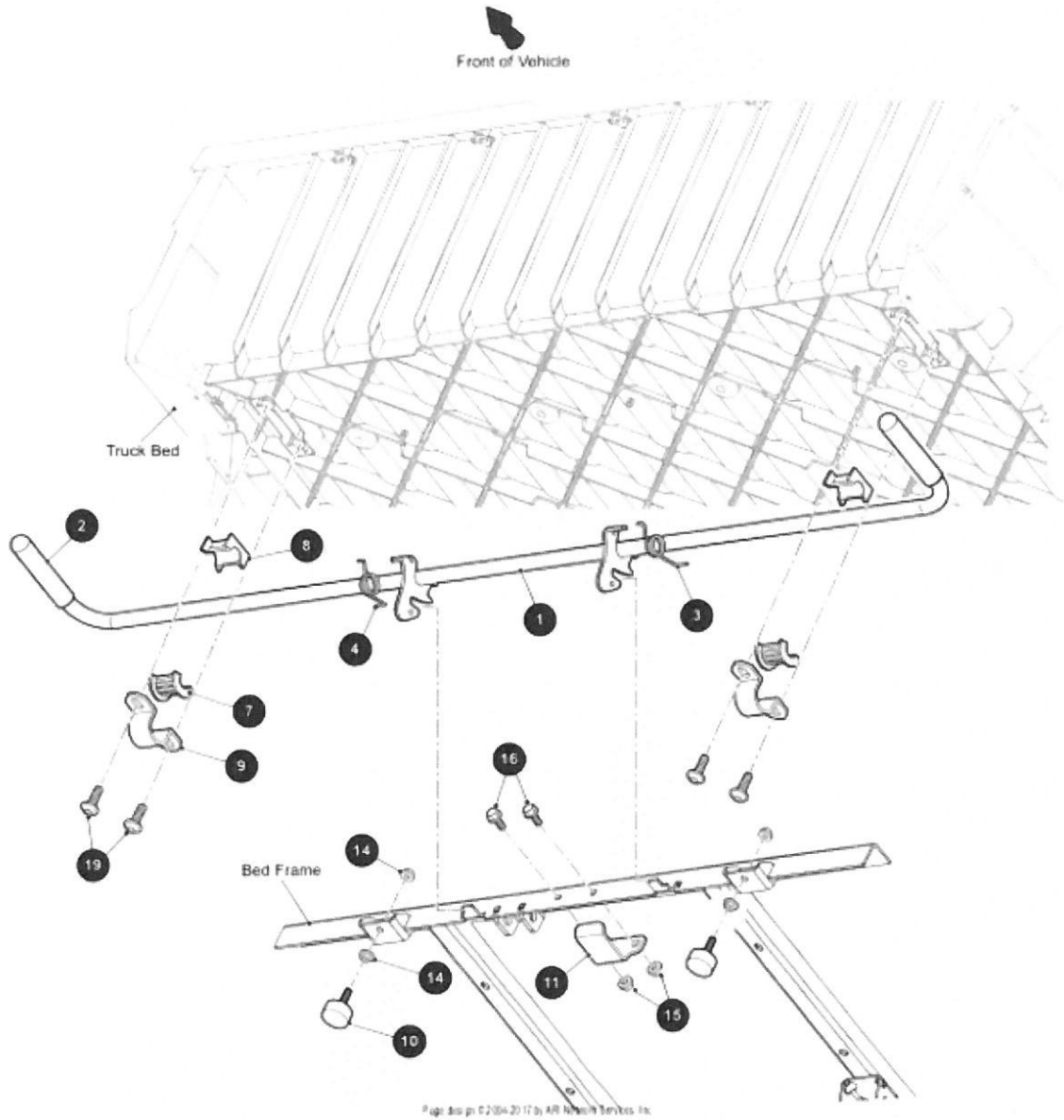
| Ref # | Part # | Description | Qty | Context | Note | ACE Cost | ACE MSRP |
|--------------|---------------|--------------------|------------|----------------|-------------|-----------------|-----------------|
| 1 | 667127 | BED CAPACITY LABEL | 1 | | | | |
| 3 | 668018G1XXX | Needs Description | 1 | | | | |
| 4 | 668018G2XXX | Needs Description | 1 | | | | |
| 5 | 667091G1XXX | Needs Description | 1 | | | | |
| 6 | 667091G2XXX | Needs Description | 1 | | | | |

2018 STAMPEDE 4 BLACK [U2018SUW1SUSP] - BED FRAME [302433]



| Ref # | Part # | Description | Qty | Context | Note | ACE Cost | ACE MSRP |
|-------|-----------|-------------------------------------|-----|---------|------|----------|----------|
| 1 | 643624 | FRAME,BED-WLD | 1 | | | | |
| 2 | 14443G10 | PIN,CLEVIS .50 X 3.00 | 2 | | | | |
| 3 | 21683G1 | PIN-COTTER | 2 | | | | |
| 4 | 653645 | BRKT,REINF,BED BOTTOM | 2 | | | | |
| 5 | 655485 | SPRING,GAS,PLASTIC BED | 1 | | | | |
| 6 | 14443G12 | PIN CLEVIS 1/2 X 2.22 | 2 | | | | |
| 7 | 21683G1 | PIN-COTTER | 2 | | | | |
| 9 | 644842G01 | BRACKET,TAILGATE,LH-WLD | 1 | | | | |
| 10 | 644842G02 | BRACKET,TAILGATE,RH-WLD | 1 | | | | |
| 11 | 603799 | BOLT,HXFL,M10-1.5X25 | 6 | | | | |
| 12 | 600525 | NUT PLS LK M10-1.5 | 6 | | | | |
| 13 | 624030 | BUSHING,FLANGE,IGUS | 4 | | | | |
| 15 | 651635 | ASSY-CABLE,TAILGATE,MID | 2 | | | | |
| 16 | 653691 | BOLT,SHOULDER,1/4-20x1 | 2 | | | | |
| 18 | 646493 | BRACKET, BED STOP CENTER | 1 | | | | |
| 19 | 606264 | BOLT, HXFL, M6-1 X 20 | 2 | | | | |
| 20 | 602409 | CLIP BARREL M6-1 | 2 | | | | |
| 21 | 00550G1 | NUT-HEX-INTERNAL LOCK (ESLOC) | 2 | | | | |
| 22 | 649696 | BARREL CLIP, M8X1.25 | 4 | | | | |
| 24 | 602409 | CLIP BARREL M6-1 | 2 | | | | |
| 25 | 654108 | SCREW,DELTA PT SELF TAPPER,M8X20 | 4 | | | | |
| 26 | 606261 | BOLT, HXFL,M8-1.25 X 20 | 4 | | | | |

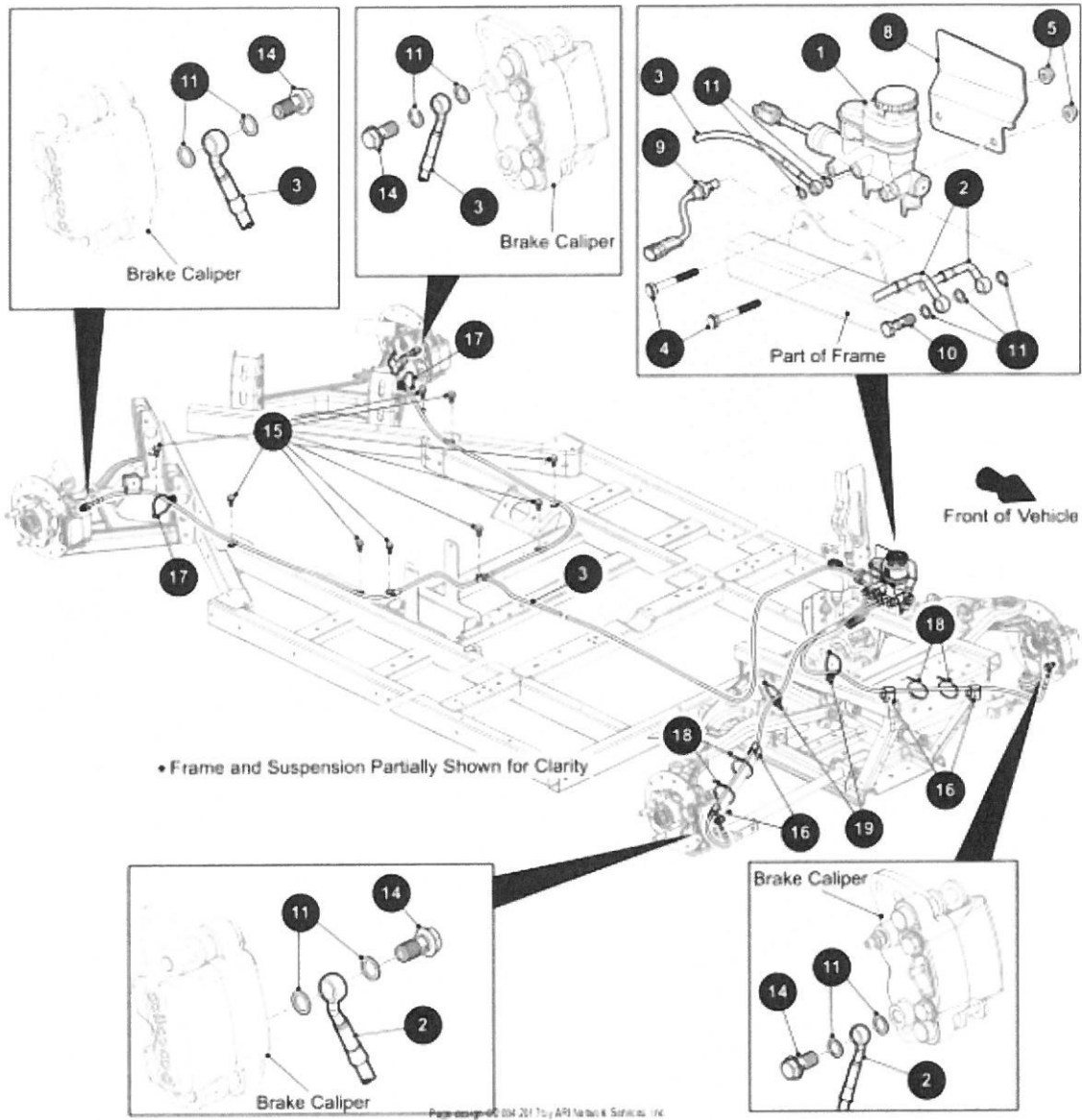
2018 STAMPEDE 4 BLACK [U2018SUW1SUSP] - BED LATCH [302434]



Arctic Cat Electronic Parts Catalogs

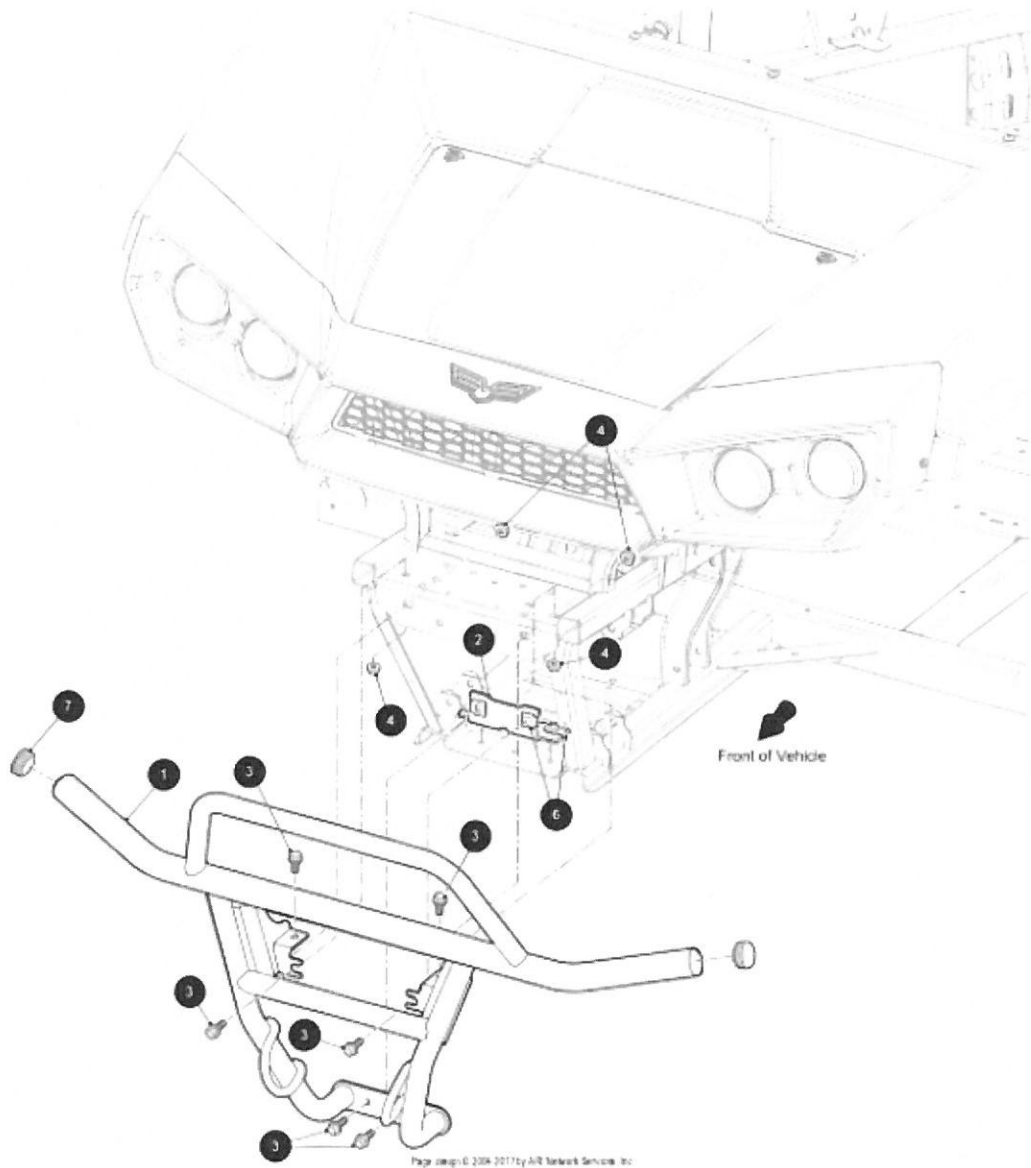
| Ref # | Part # | Description | Qty | Context | Note | ACE Cost | ACE MSRP |
|-------|-----------|------------------------------------|-----|---------|------|----------|----------|
| 1 | 643623 | HANDLE, DUMP BED-WLD | 1 | | | | |
| 2 | 643080 | HANDLE, GRIP | 2 | | | | |
| 3 | 646136G01 | SPRING,BED,LATCH RETURN,LH | 1 | | | | |
| 4 | 646136G02 | SPRING,BED,LATCH RETURN,RH | 1 | | | | |
| 7 | 647633 | BUSHING, TOP, BED LATCH | 2 | | | | |
| 8 | 647635 | BUSHING, BOTTOM, BED LATCH | 2 | | | | |
| 9 | 657873 | BRACKET, SWAY BAR BUSHING | 2 | | | | |
| 10 | 70113G01 | BUMPER-RUBBER-ADJUSTABLE | 2 | | | | |
| 11 | 645883 | SVC-HOOK, J | 1 | | | | |
| 14 | 11027G1 | NUT-LOCK FLANGED (WHIZ) 5/16-18 | 4 | | | | |
| 15 | 645956 | NUT, HXFL, PLS, LK, M8X1.25 | 2 | | | | |
| 16 | 606261 | BOLT, HXFL, M8-1.25 X 20 | 2 | | | | |
| 19 | 654108 | SCREW, DELTA PT SELF TAPPER, M8X20 | 4 | | | | |

2018 STAMPEDE 4 BLACK [U2018SUW1SUSP] - BRAKES [302451]



| Ref # | Part # | Description | Qty | Context | Note | ACE | Cost | ACE | MSRP |
|-------|---------|---|-----|---------|------|-----|------|-----|------|
| 1 | 631593 | MASTER CYL,BRAKE,DUAL RES | 1 | | | | | | |
| 2 | 638225 | BRAKE LINE,FRONT,1128MM | 2 | | | | | | |
| 3 | 645892 | BRAKE LINE,REAR,2490MMX1307MMX1347MM | 1 | | | | | | |
| 4 | 616672 | SCREW,M8-1.25 X 60 | 2 | | | | | | |
| 5 | 645956 | NUT,HXFL,PLS,LK,M8X1.25 | 2 | | | | | | |
| 8 | 644634 | SHIELD,MASTER CYLINDER | 1 | | | | | | |
| 9 | 646161 | HARNESS,PRESSURE SWITCH | 1 | | | | | | |
| 10 | 650438 | BOLT,DOUBLE BANJO,M10-1.25 | 1 | | | | | | |
| 11 | 613293 | WASHER,CRUSH,M10 | 13 | | | | | | |
| 14 | 616459 | BOLT,BANJO,SINGLE,M10-1X20 | 4 | | | | | | |
| 15 | 452695 | SCRW, M6-1.00 X 20 TAPTITE | 9 | | | | | | |
| 16 | 649671 | CLIP,BRAKE LINE | 4 | | | | | | |
| 17 | 646439 | CABLE TIE,EDGE CLIP,PARALLEL | 2 | | | | | | |
| 18 | 17618G1 | CLAMP - NYLON | 4 | | | | | | |
| 19 | 645340 | CABLE TIE, FIR TREE | 2 | | | | | | |

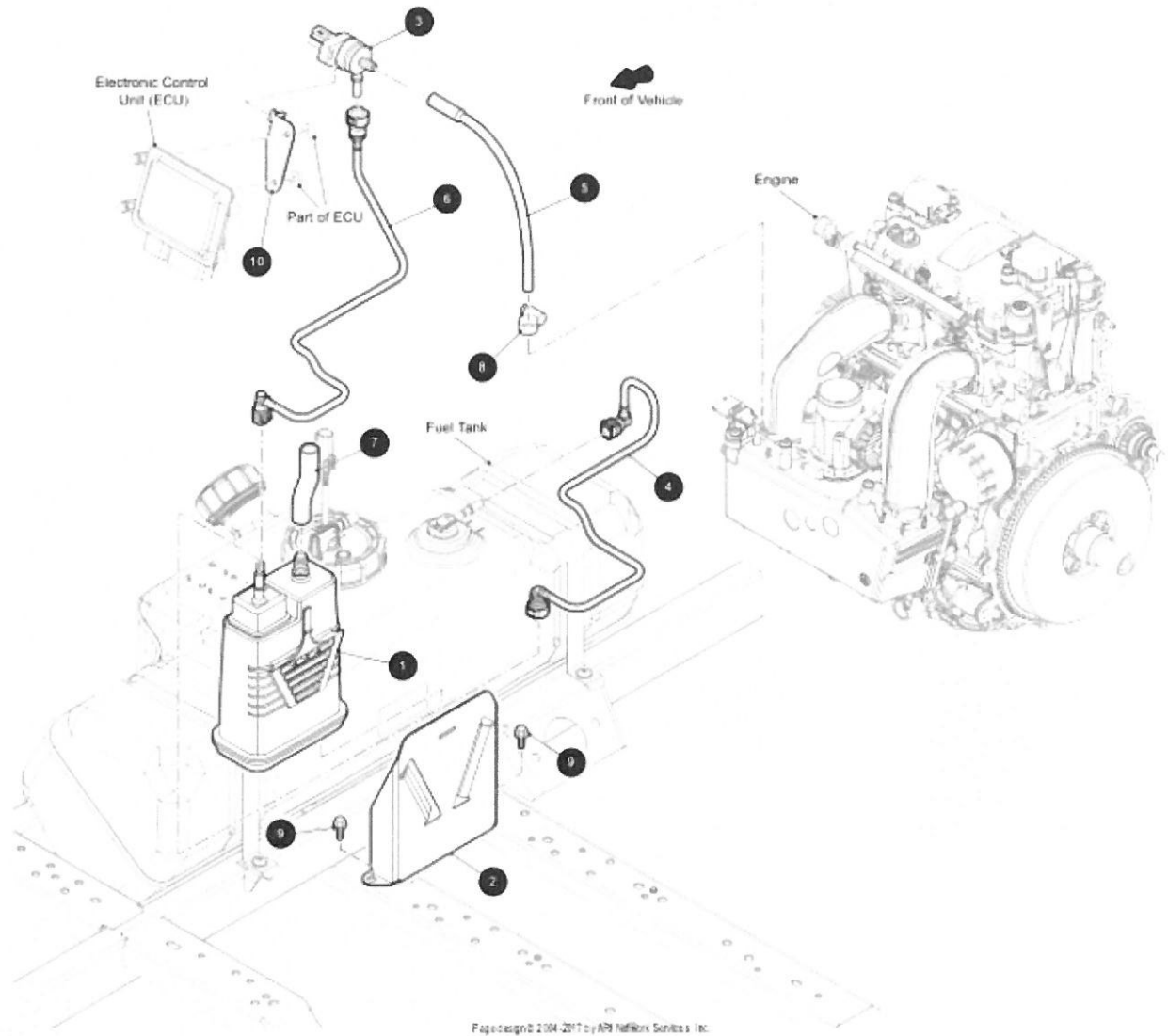
2018 STAMPEDE 4 BLACK [U2018SUW1SUSP] - BRUSHGUARD [302385]



| Ref # | Part # | Description | Qty | Context | Note | ACE Cost | ACE MSRP |
|-------|--------|---------------------------------|-----|---------|------|----------|----------|
| 1 | 668048 | BRUSHGUARD | 1 | | | | |
| 2 | 662222 | BRACKET,BRUSH GUARD ADJ MTG | 1 | | | | |
| 3 | 603799 | BOLT,HXFL,M10-1.5X25 | 6 | | | | |
| 4 | 600525 | NUT PLS LK M10-1.5 | 4 | | | | |
| 6 | 603818 | CLIP BARREL M10-1.5 | 4 | | | | |
| 7 | 630762 | PLUG,TUBE 1.75 ODX10-14GA,PLSTC | 1 | | | | |

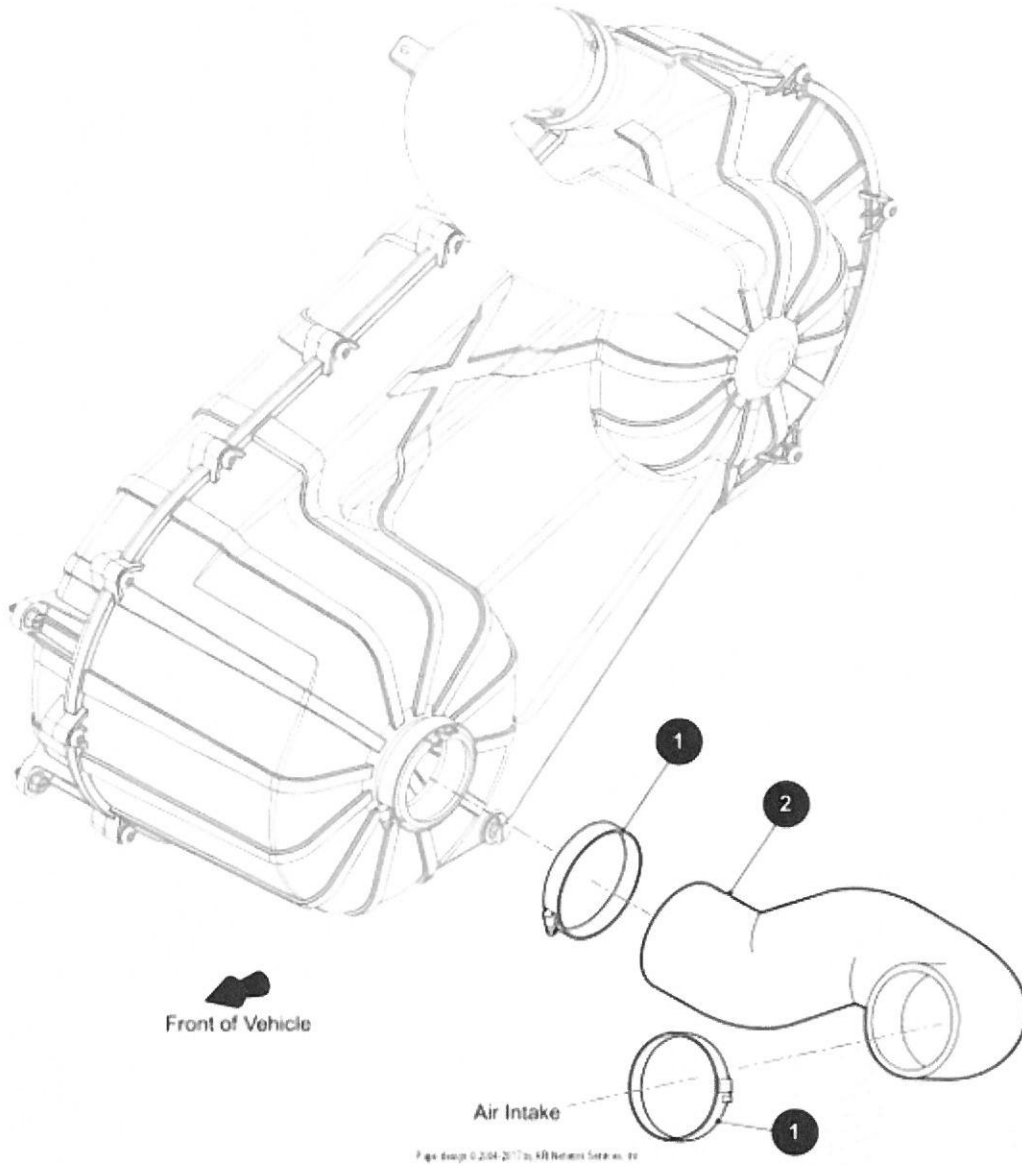
2018 STAMPEDE 4 BLACK [U2018SUW1SUSP] - CARBON CANISTER [302420]

For STAMPEDE and STAMPEDE X CARB MODELS ONLY
For STAMPEDE 4 and STAMPEDE 4X - CARB MODELS ONLY



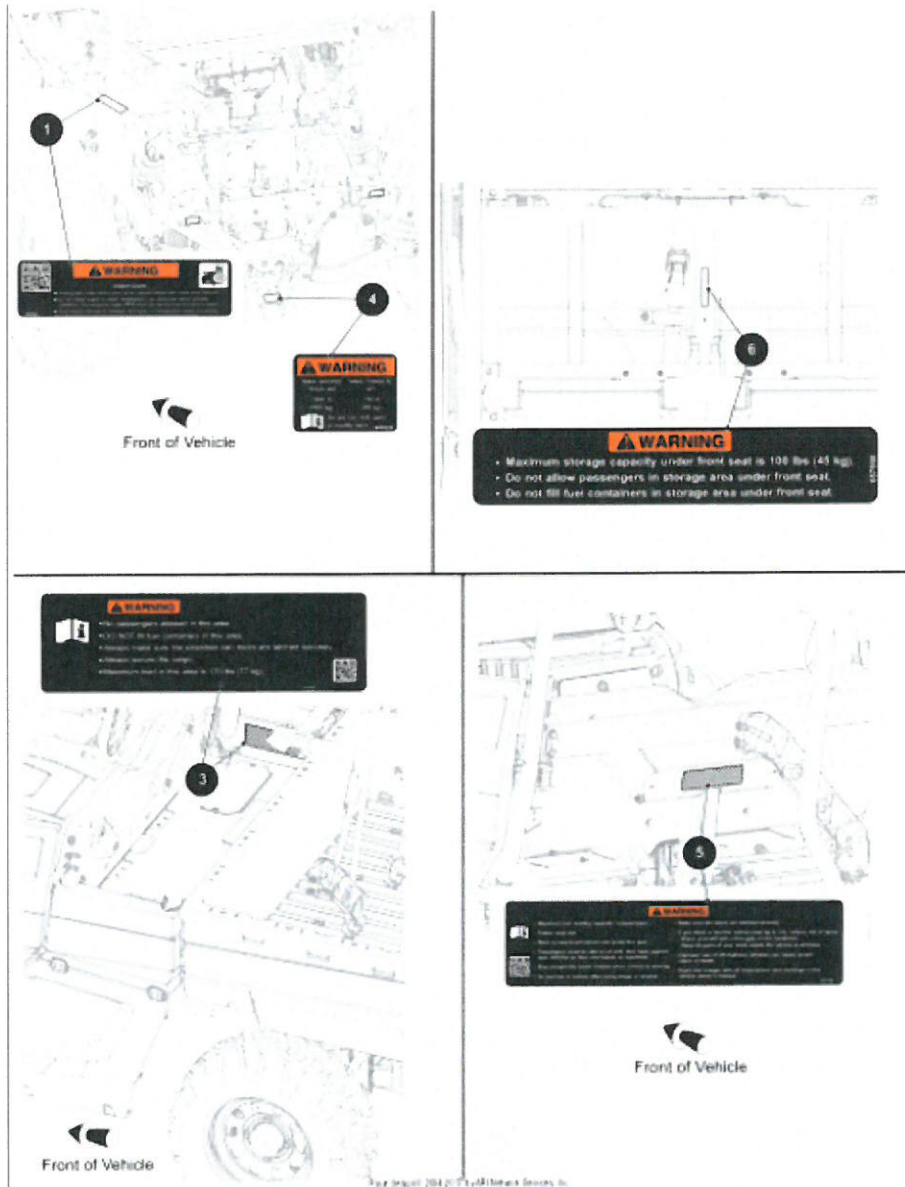
| Ref # | Part # | Description | Qty | Context | Note | ACE Cost | ACE MSRP |
|-------|---------|-------------------------------------|-----|---------|------|----------|----------|
| 1 | 655381 | CARBON CANISTER | 1 | | | | |
| 2 | 655547 | CARBON CANISTER MOUNTING BRACKET | 1 | | | | |
| 3 | 657035 | PURGE CONTROL VALVE | 1 | | | | |
| 4 | 656003 | HOSE (VENT TO CANISTER) | 1 | | | | |
| 5 | 656004 | HOSE (VALVE TO MANIFOLD) | 1 | | | | |
| 6 | 656269 | HOSE (CANISTER TO VALVE) | 1 | | | | |
| 7 | 659198 | HOSE (CANISTER BREATHER) | 1 | | | | |
| 8 | 11391G4 | CLAMP-HOSE | 1 | | | | |
| 9 | 640723 | SCREW,SELF TAPPING,M8X1.25X20 | 2 | | | | |
| 10 | 657045 | PURGE VALVE MOUNTING BRACKET | 1 | | | | |

2018 STAMPEDE 4 BLACK [U2018SUW1SUSP] - CLUTCH COVER HOSE [302402]



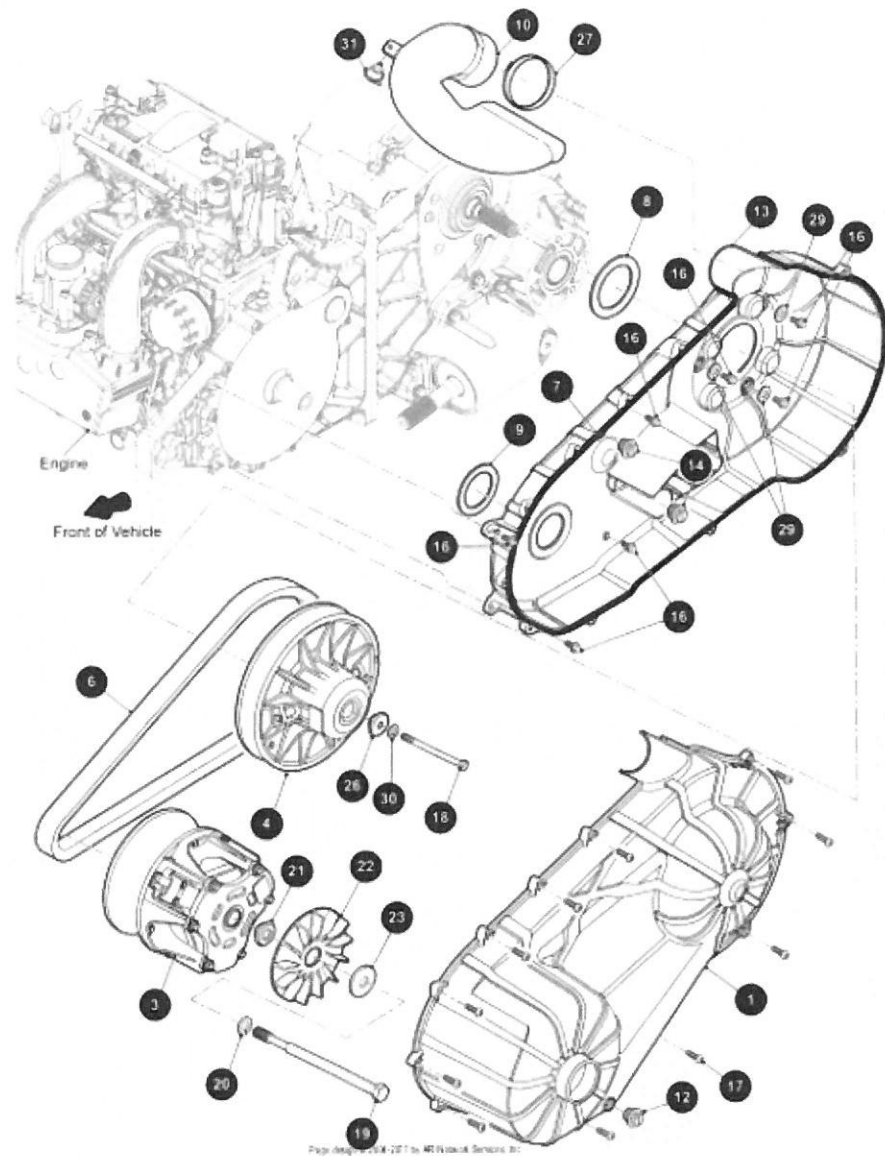
| Ref # | Part # | Description | Qty | Context | Note | ACE Cost | ACE MSRP |
|-------|---------|-------------------|-----|---------|------|----------|----------|
| 1 | 11391G2 | CLAMP,HOSE,2.06 | 2 | | | | |
| 2 | 659235 | Needs Description | 1 | | | | |

2018 STAMPEDE 4 BLACK [U2018SUW1SUSP] - CLUTCH COVER LABEL [302481]



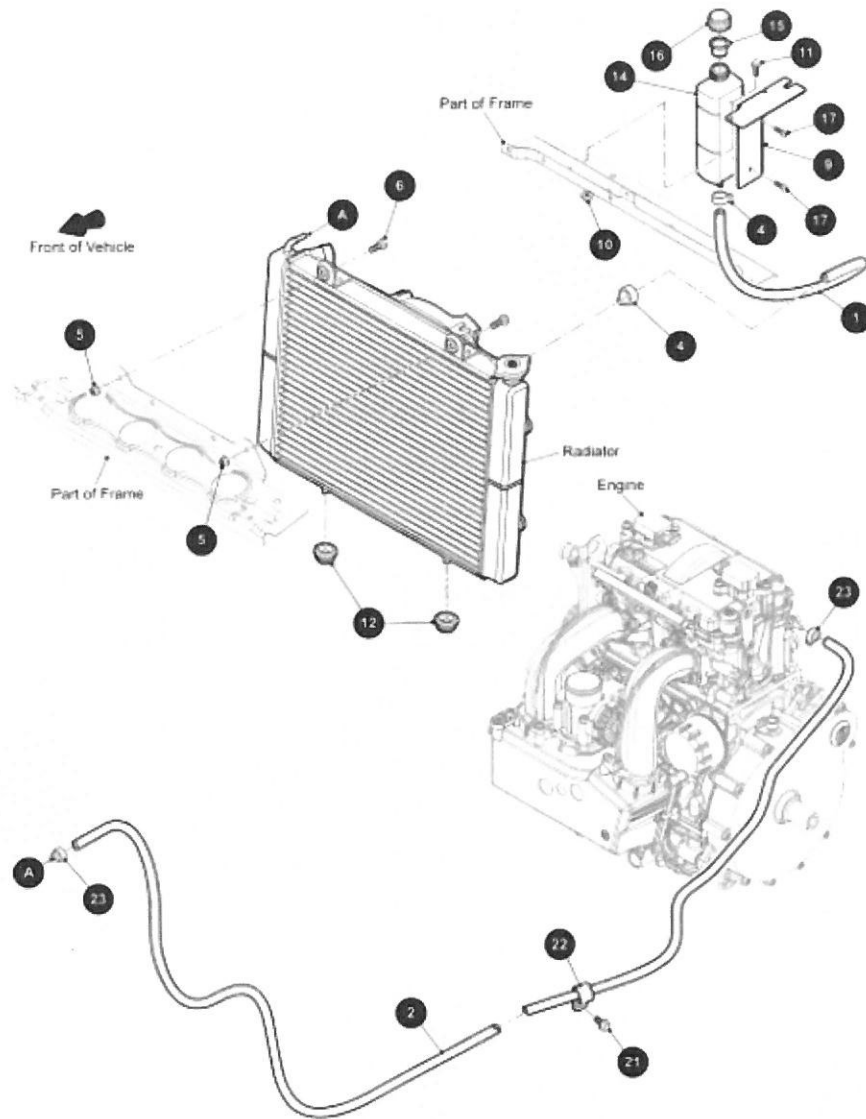
| Ref # | Part # | Description | Qty | Context | Note | ACE Cost | ACE MSRP |
|-------|--------|--------------------------------------|-----|---------|------|----------|----------|
| 1 | 643600 | LABEL, WARNING, CLUTCH COVER | 1 | | | | |
| 3 | 643606 | LABEL, WARNING EXTENDED CAB CARGO | 1 | | | | |
| 4 | 645329 | WARNING, LABEL HITCH | 1 | | | | |
| 5 | 657309 | Needs Description | 1 | | | | |
| 6 | 657555 | UNDER SEAT STORAGE WARNING LABEL | 1 | | | | |

2018 STAMPEDE 4 BLACK [U2018SUW1SUSP] - CLUTCHES/CLUTCH COVER [302401]



| Ref # | Part # | Description | Qty | Context | Note | ACE Cost | ACE MSRP |
|-------|---------|--|-----|---------|------|----------|----------|
| 1 | 654021 | CVT COVER (OUTER) | 1 | | | | |
| 3 | 639636 | CLUTCH,PRIMARY,80HP | 1 | | | | |
| 4 | 639639 | CLUTCH,SECONDARY,80HP | 1 | | | | |
| 6 | 654011 | BELT, CVT | 1 | | | | |
| 7 | 657144 | SEAL FOAM | 1 | | | | |
| 8 | 657138 | SEAL FOAM | 1 | | | | |
| 9 | 657141 | SEAL FOAM | 1 | | | | |
| 10 | 653501 | HOSE,OUTLET | 1 | | | | |
| 12 | 663979 | PLUG | 1 | | | | |
| 13 | 653080 | CVT COVER (INNER) | 1 | | | | |
| 14 | 663980 | PLUG | 2 | | | | |
| 16 | 649906 | BOLT,HXFL,M6-1X16 | 7 | | | | |
| 17 | 649803 | SCRW, M6X2.65X25, REMFORM, PAN HD, TORX | 11 | | | | |
| 18 | 646701 | BOLT,HXHD,M8 X 1.25 X 110,PC10.9 | 1 | | | | |
| 19 | 663755 | HEX HEAD BOLT, M14 - 1.5 X 225MM LG | 1 | | | | |
| 20 | 645405 | LOCK WASHER-9/16 | 1 | | | | |
| 21 | 659246 | RETAINING WASHER (CLUTCH FAN) | 1 | | | | |
| 22 | 663122 | CLUTCH FAN | 1 | | | | |
| 23 | 661759 | FLAT WASHER | 1 | | | | |
| 26 | 25756G1 | WASHER-RETAINING | 1 | | | | |
| 27 | 11391G2 | CLAMP,HOSE,2.06 | 1 | | | | |
| 29 | 00642G8 | WASHER-5/16 | 3 | | | | |
| 30 | 00565G8 | WASHER-LK-SP #5/16 | 1 | | | | |
| 31 | 645340 | CABLE TIE, FIR TREE | 1 | | | | |

2018 STAMPEDE 4 BLACK [U2018SUW1SUSP] - COOLANT HOSE [302456]



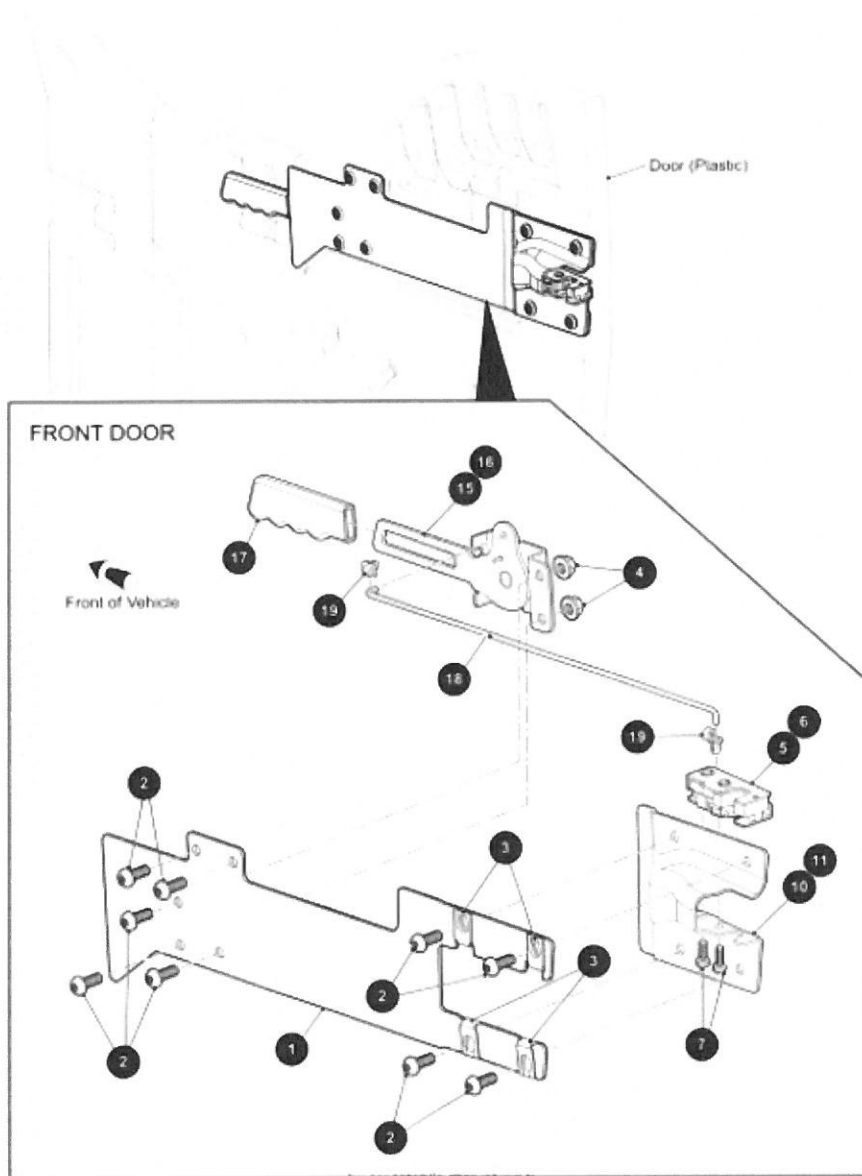
Page 45 of 120 (2/1/18) © 2018 Arctic Cat Inc.

| Ref # | Part # | Description | Qty | Context | Note | ACE Cost | ACE MSRP |
|-------|-----------|---|-----|---------|------|----------|----------|
| 1 | 664809G04 | COOLANT HOSE (OVERFLOW TO RADIATOR), 6.35MM I.D | 1 | | | | |
| 2 | 664809G06 | COOLANT HOSE (ENGINE TO RADIATOR), 6.35MM I.D | 1 | | | | |
| 4 | 17618G1 | CLAMP - NYLON | 2 | | | | |
| 5 | 601476 | LOCK NUT M6-1 | 2 | | | | |
| 6 | 606421 | BOLT, HXFL, M6 X 30 | 2 | | | | |
| 9 | 664703 | MOUNTING BRACKET | 1 | | | | |
| 10 | 601476 | LOCK NUT M6-1 | 1 | | | | |
| 11 | 606421 | BOLT, HXFL, M6 X 30 | 1 | | | | |
| 12 | 638668 | GROMMET, SEAT RETENTION | 2 | | | | |
| 14 | 413320 | COOLANT TANK | 1 | | | | |
| 15 | 413329 | SLEEVE | 1 | | | | |
| 16 | 413328 | CAP | 1 | | | | |
| 17 | 8475-512 | Screw, Machine | 2 | | | | |
| 21 | 606265 | BOLT, HXFL, M6-1 X 12 | 1 | | | | |
| 22 | 814924 | CUSH CLAMP, TUBE 1.438 ID YS | 1 | | | | |
| 23 | 11391G4 | CLAMP-HOSE | 2 | | | | |

| Ref # | Part # | Description | Qty | Context Note | ACE Cost | ACE MSRP |
|-------|--------|--|-----|--------------|----------|----------|
| 1 | 665161 | COOLANT LINE ASSEMBLY | 1 | (inc. 2-15) | | |
| 2 | 660418 | COOLANT HOSE (RADIATOR TO OUTLET TUBE), 25.4MM I.D. | 1 | | | |
| 3 | 662109 | COOLANT HOSE (RADIATOR TO INLET TUBE), 25.4MM I.D. | 1 | | | |
| 4 | 642165 | COOLANT HOSE (INLET TUBE TO ENGINE), 25.4MM I.D. | 1 | | | |
| 5 | 642166 | COOLANT HOSE (OUTLET TUBE TO ENGINE), 25.4MM I.D. | 1 | | | |
| 6 | 650170 | DOUBLE BAND CLAMP (COOLANT LINES) | 2 | | | |
| 7 | 650169 | HOSE CLAMP (COOLANT LINES) | 4 | | | |
| 8 | 645856 | COOLANT LINE (MID HOSE) | 2 | | | |
| 9 | 656084 | RADIATOR SIDE COOLANT LINE (INLET) | 1 | | | |
| 10 | 656085 | RADIATOR SIDE COOLANT LINE (OUTLET) | 1 | | | |
| 11 | 656086 | ENGINE SIDE COOLANT LINE (INLET) | 1 | | | |
| 12 | 656087 | ENGINE SIDE COOLANT LINE (OUTLET) | 1 | | | |
| 13 | 649639 | BRACKET | 2 | | | |
| 14 | 651147 | HOSE CLAMP | 4 | | | |
| 15 | 658731 | HOSE CLAMP | 4 | | | |
| 17 | 655023 | BRKT,FRNT,MNT,ROUTING | 1 | | | |
| 18 | 606261 | BOLT, HXFL,M8-1.25 X 20 | 1 | | | |
| 19 | 645956 | NUT,HXFL,PLS,LK,M8X1.25 | 1 | | | |
| 20 | 649804 | SCRW, M8X3.50X30, REMFORM, BUTT HD, TORX | 1 | | | |
| 21 | 645340 | CABLE TIE, FIR TREE | 1 | | | |
| 22 | 640723 | SCREW,SELF TAPPING,M8X1.25X20 | 1 | | | |
| 23 | 645671 | BRKT,FRNT,FRAME,MNT,ROUTING | 1 | | | |
| 24 | 640723 | SCREW,SELF TAPPING,M8X1.25X20 | 1 | | | |
| 25 | 645340 | CABLE TIE, FIR TREE | 1 | | | |
| 26 | 650089 | SCREW,FLANGED,M6-1.0X50MM | 1 | | | |
| 27 | 645341 | CLAMP TIE, DUAL | 1 | | | |
| 29 | 649954 | BRKT,MID,MNT,ROUTING,CREW | 1 | | | |
| 30 | 640723 | SCREW,SELF TAPPING,M8X1.25X20 | 1 | | | |
| 32 | 645340 | CABLE TIE, FIR TREE | 1 | | | |
| 33 | 658787 | CROSS MEMBER BRACKET | 1 | | | |
| 34 | 645340 | CABLE TIE, FIR TREE | 1 | | | |
| 36 | 654478 | BRKT,MID RR,MNT,ROUTING,CREW | 1 | | | |
| 37 | 640723 | SCREW,SELF TAPPING,M8X1.25X20 | 1 | | | |
| 38 | 650089 | SCREW,FLANGED,M6-1.0X50MM | 1 | | | |
| 39 | 645340 | CABLE TIE, FIR TREE | 1 | | | |
| 41 | 645672 | BRKT,REAR,MNT,ROUTING | 1 | | | |
| 42 | 649804 | SCRW, M8X3.50X30, REMFORM, BUTT HD, TORX | 1 | | | |

| Ref # | Part # | Description | Qty | Context | Note | ACE Cost | ACE MSRP |
|--------------|---------------|--------------------------------------|------------|----------------|-------------|-----------------|-----------------|
| 43 | 640723 | SCREW,SELF TAPPING,M8X1.25X20 | 1 | | | | |
| 44 | 645340 | CABLE TIE, FIR TREE | 1 | | | | |
| 45 | 650170 | DOUBLE BAND CLAMP (COOLANT LINES) | 1 | | | | |

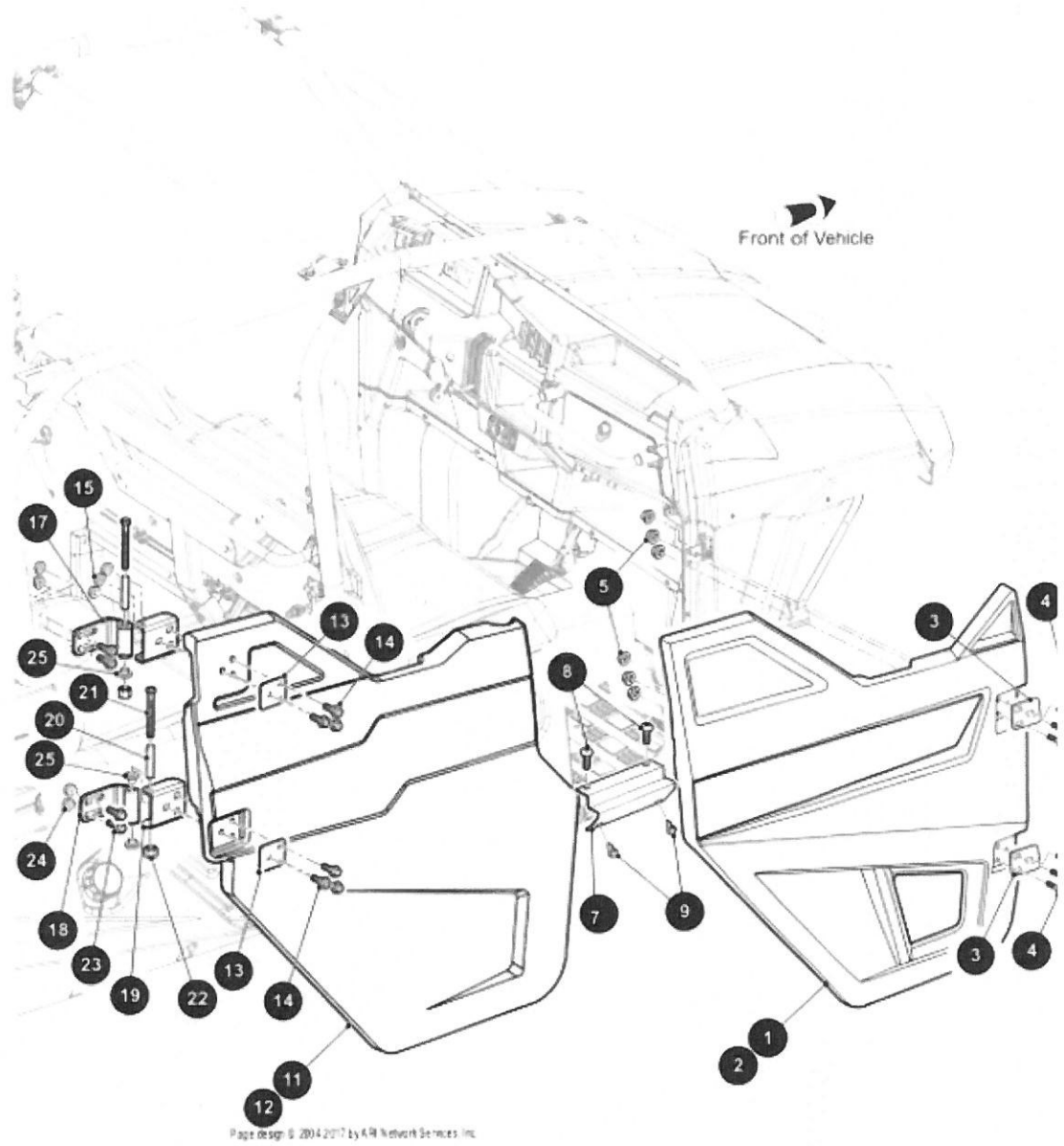
2018 STAMPEDE 4 BLACK [U2018SUW1SUSP] - COVER PLATE, DOOR LATCH - FRONT DOOR [302447]



Arctic Cat Electronic Parts Catalogs

| Ref # | Part # | Description | Qty | Context | Note | ACE Cost | ACE MSRP |
|-------|-----------|----------------------------------|-----|---------|------|----------|----------|
| 1 | 649618 | COVER PLATE,DOOR,INNER | 1 | | | | |
| 2 | 646371 | BOLT,PHD,MAT PT,M8-1.25 X 20 | 9 | | | | |
| 3 | 649696 | BARREL CLIP, M8X1.25 | 4 | | | | |
| 4 | 645956 | NUT,HXFL,PLS,LK,M8X1.25 | 2 | | | | |
| 5 | 647318G01 | LATCH,DOOR,LH | 1 | | | | |
| 6 | 647318G02 | LATCH,DOOR,RH | 1 | | | | |
| 7 | 650084 | BOLT,BHD,TORX,M6-1X20 PATCHLK | 2 | | | | |
| 10 | 647311G01 | BRACKET,LATCH MOUNT,LH | 1 | | | | |
| 11 | 647311G02 | BRACKET,LATCH MOUNT,RH | 1 | | | | |
| 15 | 649300G01 | LEVER ASSEMBLY,DOOR,LH | 1 | | | | |
| 16 | 649300G02 | LEVER ASSEMBLY,DOOR,RH | 1 | | | | |
| 17 | 648236 | GRIP,DOOR ACTUATOR | 1 | | | | |
| 18 | 647301 | PUSH ROD,DOOR | 1 | | | | |
| 19 | 656804 | CLIP,PUSH ROD | 2 | | | | |

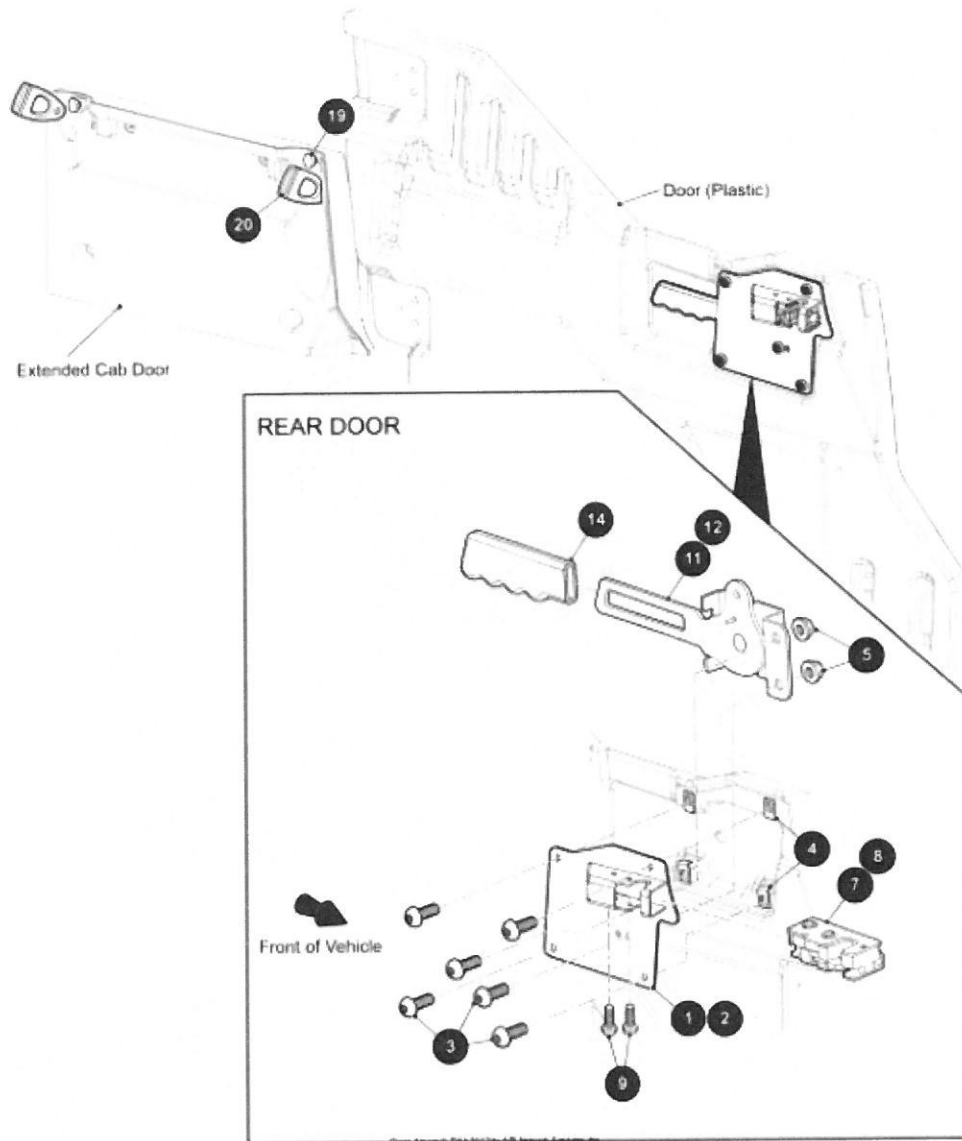
2018 STAMPEDE 4 BLACK [U2018SUW1SUSP] - DOOR [302446]



Arctic Cat Electronic Parts Catalogs

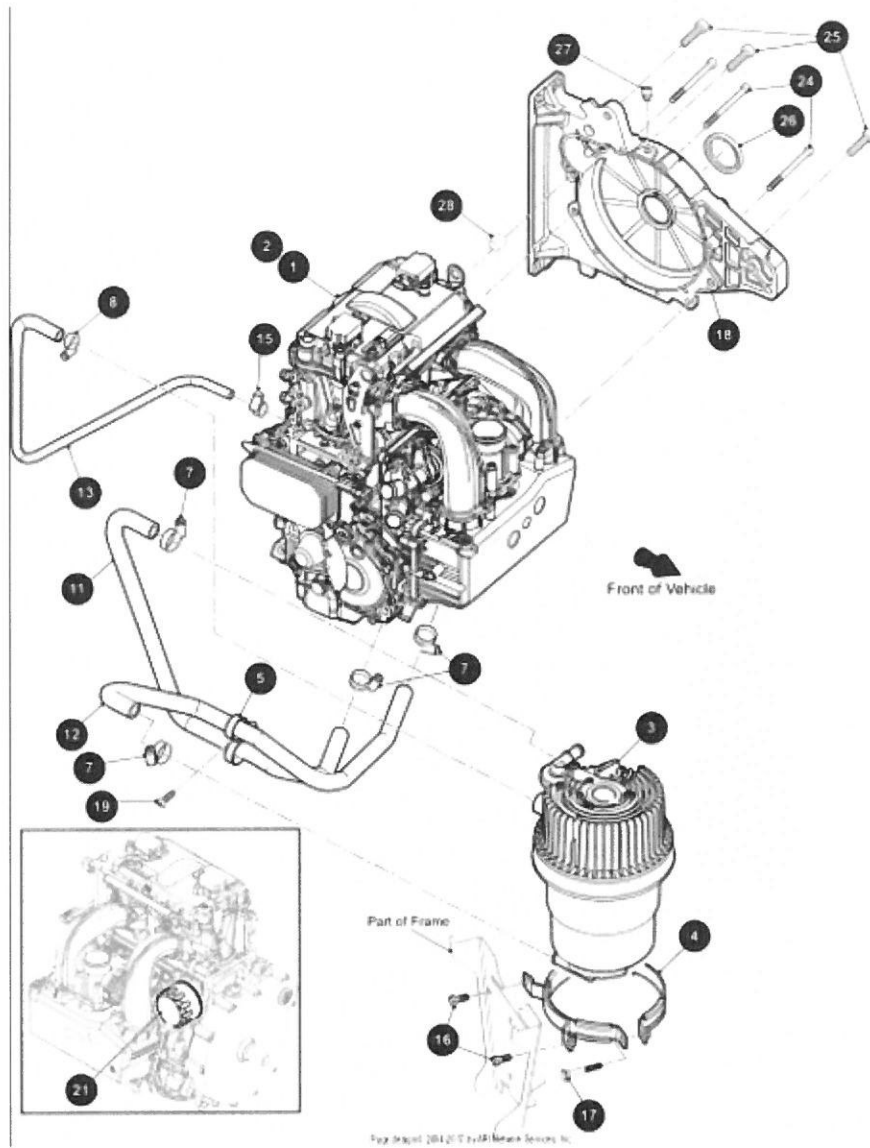
| Ref # | Part # | Description | Qty | Context | Note | ACE Cost | ACE MSRP |
|-------|-------------|---------------------------------------|-----|---------|------|----------|----------|
| 1 | 667125G01 | DOOR (PLASTIC) (DRIVER SIDE) | 1 | | | | |
| 2 | 667125G02 | DOOR (PLASTIC) (PASSENGER SIDE) | 1 | | | | |
| 3 | 649789 | PLATE,DOOR HINGE | 2 | | | | |
| 4 | 649879 | BOLT, HXFL,M10-1.5X30 | 6 | | | | |
| 5 | 600525 | NUT PLS LK M10-1.5 | 6 | | | | |
| 7 | 641395 | ROCKER, FLOOR | 1 | | | | |
| 8 | 644969 | SCREW,M6X1X20,PAN WSHR HD,SLF TAP,T30 | 2 | | | | |
| 9 | 667790 | REMOVABLE RIVET, 8.13MM DIA X 21MM LG | 2 | | | | |
| 11 | 649791G01 | SVC-DOOR, PLASTIC, REAR - LH | 1 | | | | |
| 12 | 649791G02 | SVC-DOOR, PLASTIC, REAR - RH | 1 | | | | |
| 13 | 649789 | PLATE,DOOR HINGE | 2 | | | | |
| 14 | 649879 | BOLT, HXFL,M10-1.5X30 | 6 | | | | |
| 15 | 600525 | NUT PLS LK M10-1.5 | 6 | | | | |
| 17 | 655745G0390 | Door Hinge Bracket (Upper) | 1 | | | | |
| 18 | 654583G0390 | Door Hinge Bracket (Lower) | 1 | | | | |
| 19 | 650775 | BRKT,HINGE,RTR,FORDOOR | 2 | | | | |
| 20 | 637745 | BUSHING,LOWER CONTROL A-ARM | 1 | | | | |
| 21 | 00665G9 | SC-CAP-HEX-SS 3 1/2 | 1 | | | | |
| 22 | 11098G5 | NUT-LOCK-LIGHT-3/8-16 | 1 | | | | |
| 23 | 649879 | BOLT, HXFL,M10-1.5X30 | 2 | | | | |
| 24 | 600525 | NUT PLS LK M10-1.5 | 2 | | | | |
| 25 | 70289G02 | SPACER-SPLIT-MED/TXT (TEXT) | 2 | | | | |

2018 STAMPEDE 4 BLACK [U2018SUW1SUSP] - DOOR LATCH - REAR DOOR [302448]



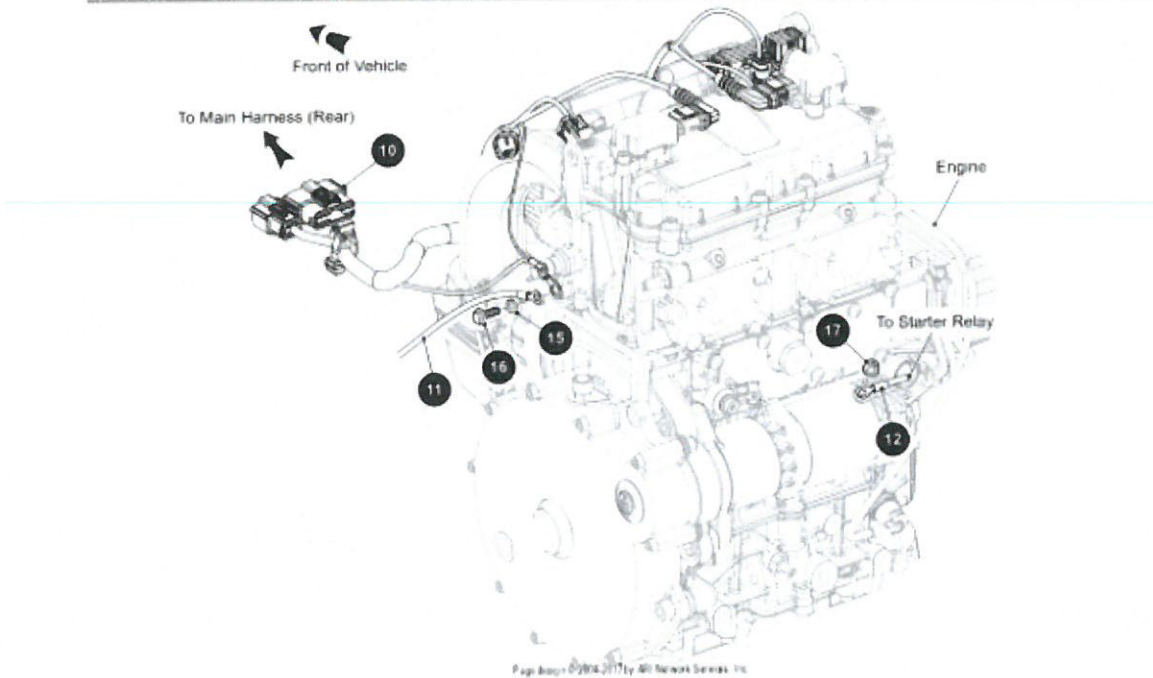
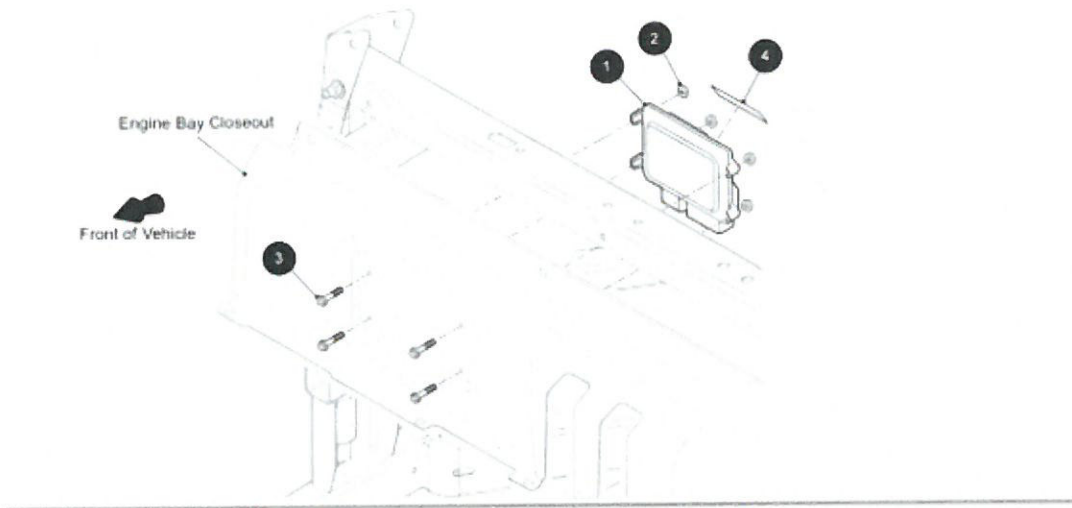
| Ref # | Part # | Description | Qty | Context | Note | ACE | Cost | ACE | MSRP |
|-------|-----------|----------------------------------|-----|---------|------|-----|------|-----|------|
| 1 | 650951G01 | BRACKET,LATCH MOUNT,REAR,LH | 1 | | | | | | |
| 2 | 650951G02 | BRACKET,LATCH MOUNT,REAR,RH | 1 | | | | | | |
| 3 | 646371 | BOLT,PHD,MAT PT,M8-1.25 X 20 | 6 | | | | | | |
| 4 | 649696 | BARREL CLIP, M8X1.25 | 4 | | | | | | |
| 5 | 645956 | NUT,HXFL,PLS,LK,M8X1.25 | 2 | | | | | | |
| 7 | 647318G01 | LATCH,DOOR,LH | 1 | | | | | | |
| 8 | 647318G02 | LATCH,DOOR,RH | 1 | | | | | | |
| 9 | 650084 | BOLT,BHD,TORX,M6-1X20 PATCHLK | 2 | | | | | | |
| 11 | 649300G01 | LEVER ASSEMBLY,DOOR,LH | 1 | | | | | | |
| 12 | 649300G02 | LEVER ASSEMBLY,DOOR,RH | 1 | | | | | | |
| 14 | 648236 | GRIP,DOOR ACTUATOR | 1 | | | | | | |
| 17 | 646166 | BUMPER STOP,RUBBER,FLANGE | 2 | | | | | | |
| 18 | 647484 | STRAP,RUBBER | 2 | | | | | | |

2018 STAMPEDE 4 BLACK [U2018SUW1SUSP] - ENGINE - COMPLETE [302399]



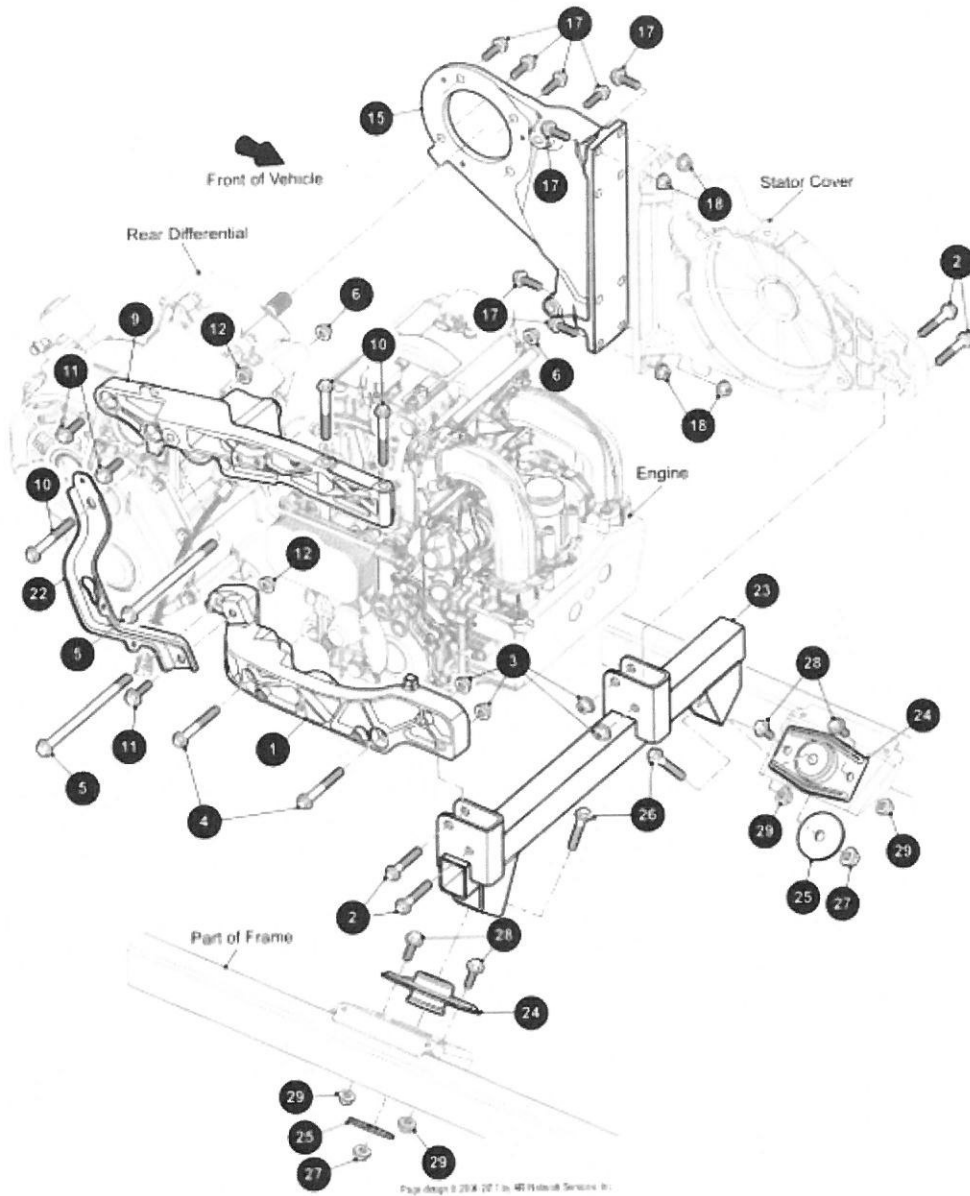
| Ref # | Part # | Description | Qty | Context | Note | ACE Cost | ACE MSRP |
|-------|--------|--|-----|---------|------|----------|----------|
| 1 | 409135 | I2 846 UTV NA-80 DS V003 2015 3.1 | 1 | | | | |
| 2 | 410750 | I2 846 UTV NA-80 DS V004 2017 3.1 | 1 | | | | |
| 3 | 404653 | DEA OIL TANK / WITHOUT WATER JACKET | 1 | | | | |
| 4 | 642126 | MTG BRACKET & CLAMP,OIL RESERVOIR | 1 | | | | |
| 5 | 645341 | CLAMP TIE, DUAL | 1 | | | | |
| 7 | 652825 | CLAMP,HOSE,032,20-32MM | 4 | | | | |
| 8 | 649517 | CLAMP,HOSE,032, 25-40MM | 1 | | | | |
| 11 | 642128 | HOSE,16MM I.D.,OIL,SUPPLY | 1 | | | | |
| 12 | 642129 | HOSE,16MM I.D.,OIL,RETURN | 1 | | | | |
| 13 | 643496 | HOSE,OIL,SCNDRY RETURN | 1 | | | | |
| 15 | 649481 | CLAMP,HOSE,013, 8-16MM | 1 | | | | |
| 16 | 650195 | SCREW,HX HD,M8 X 1.25 X 20,PC10.9 | 2 | | | | |
| 17 | 616672 | SCREW,M8-1.25 X 60 | 1 | | | | |
| 18 | 649116 | CASTING,STATOR COVER | 1 | | | | |
| 19 | 634161 | BOLT,FLANGED BHD,TORX+,M6-1X30 | 1 | | | | |
| 21 | 105041 | AS OIL FILTER D78 | 1 | | | | |
| 24 | 100539 | CYLBOLT ISO4762 M6X45 8.8/G5A | 10 | | | | |
| 25 | 100555 | CYLBOLT ISO4762 M10X40 8.8/G5A | 3 | | | | |
| 26 | 402082 | SHAFT SEAL RING DIN3760 AS 40X52X7 HNBR | 1 | | | | |
| 27 | 410302 | VENT PLUG | 1 | | | | |
| 28 | 404470 | BEARING, 12 X 18 X 16MM LG | 1 | | | | |

2018 STAMPEDE 4 BLACK [U2018SUW1SUSP] - ENGINE CONTROL UNIT [302460]



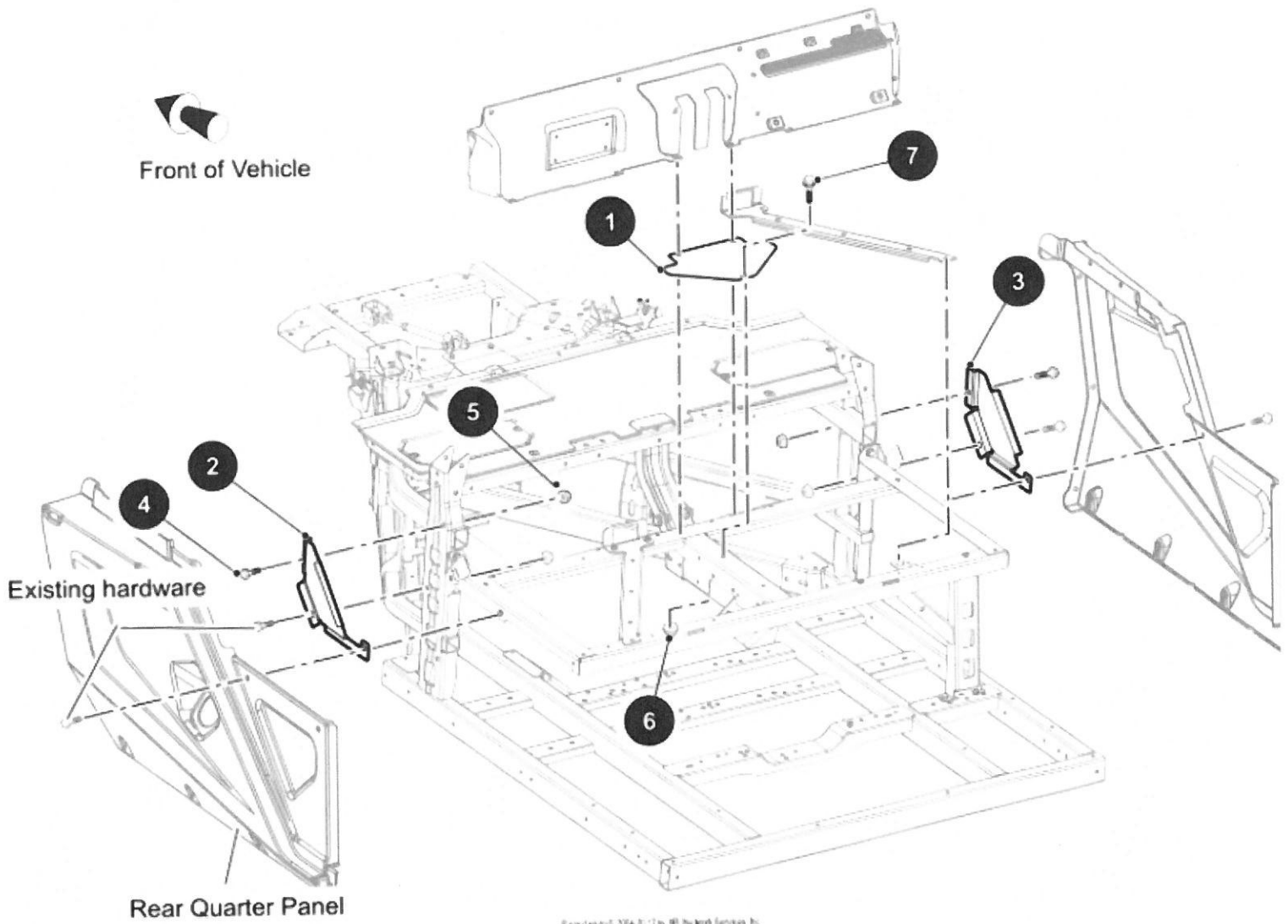
| Ref # | Part # | Description | Qty | Context | Note | ACE Cost | ACE MSRP |
|-------|-----------|--|-----|---------|------|----------|----------|
| 1 | 405644 | ECU M3D / SYNERJECT V001 NOT FLASHED | 1 | | | | |
| 2 | 601476 | LOCK NUT M6-1 | 4 | | | | |
| 3 | 606421 | BOLT, HXFL, M6 X 30 | 4 | | | | |
| 4 | 649763G01 | LABEL, ECU, MPE 900-ASSY | 1 | | | | |
| 10 | 658575 | HARNESS, ENGINE, MPE 900-1000 2 CYL, EVAP | 1 | | | | |
| 11 | 641526 | CABLE, 6 AWG, 808 MM, FRAME, ENG | 1 | | | | |
| 12 | 641524 | CABLE, 6 AWG, 1007 MM, RLY, STRMTR | 1 | | | | |
| 15 | 601327 | WASH SPLK 6MM | 1 | | | | |
| 16 | 606264 | BOLT, HXFL, M6-1 X 20 | 1 | | | | |
| 17 | 601476 | LOCK NUT M6-1 | 1 | | | | |

2018 STAMPEDE 4 BLACK [U2018SUW1SUSP] - ENGINE MOUNTING [302454]



| Ref # | Part # | Description | Qty | Context | Note | ACE | Cost | ACE | MSRP |
|-------|--------|-------------------------------------|-----|---------|------|-----|------|-----|------|
| 1 | 649125 | CASTING, LWR, RH, ENG | 1 | | | | | | |
| 2 | 648685 | BOLT, HXFL, M10 X 1.5 X 50, PC10.9 | 4 | | | | | | |
| 3 | 600525 | NUT PLS LK M10-1.5 | 4 | | | | | | |
| 4 | 649701 | BOLT, HXFL, M10 X 1.5 X 70, PC10.9 | 2 | | | | | | |
| 5 | 649659 | BOLT, HXFL, M10 X 1.5 X 180, PC10.9 | 2 | | | | | | |
| 6 | 648753 | NUT, FLHD, PLSLK, M10 X 1.5, PC8 | 2 | | | | | | |
| 9 | 649113 | CASTING, UPPER, RH, ENGINE | 1 | | | | | | |
| 10 | 602415 | BOLT HXFL M10-1.5X80 | 3 | | | | | | |
| 11 | 648684 | BOLT, HXFL, M10 X 1.5 X 35, PC10.9 | 3 | | | | | | |
| 12 | 648753 | NUT, FLHD, PLSLK, M10 X 1.5, PC8 | 2 | | | | | | |
| 15 | 649115 | CASTING, ENG AXLE | 1 | | | | | | |
| 17 | 648684 | BOLT, HXFL, M10 X 1.5 X 35, PC10.9 | 8 | | | | | | |
| 18 | 648753 | NUT, FLHD, PLSLK, M10 X 1.5, PC8 | 4 | | | | | | |
| 22 | 645536 | BRACKET, SHIFTER | 1 | | | | | | |
| 23 | 648127 | ENGINE FRAME - WELDMENT | 1 | | | | | | |
| 24 | 645396 | ISOLATOR, CENTER-BONDED | 2 | | | | | | |
| 25 | 645622 | WASHER, 13.5 ID X 60.5 OD, 3.2 THK | 2 | | | | | | |
| 26 | 648681 | BOLT, HXFL M12-1.75 X 70--CLS 10.9 | 2 | | | | | | |
| 27 | 648751 | NUT, FLHD, PLSLK, M12 X 1.75, PC10 | 2 | | | | | | |
| 28 | 648682 | BOLT, HXFL, M10 X 1.5 X 25, PC10.9 | 4 | | | | | | |
| 29 | 648753 | NUT, FLHD, PLSLK, M10 X 1.5, PC8 | 4 | | | | | | |

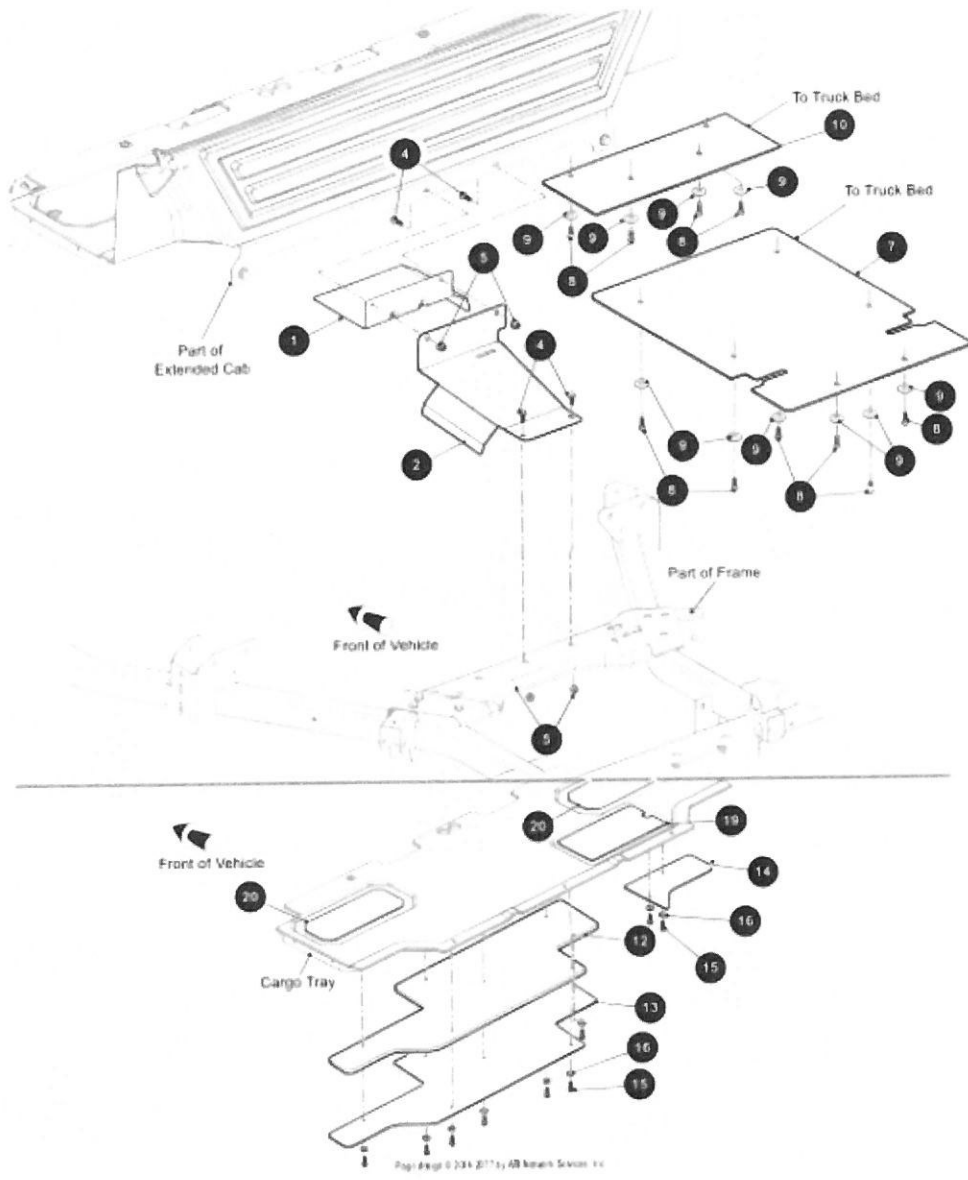
2018 STAMPEDE 4 BLACK [U2018SUW1SUSP] - EXHAUST - SEAT HEAT SHIELD [302465]



Page design © 2014-2017 by ARCTIC CAT Services Inc.

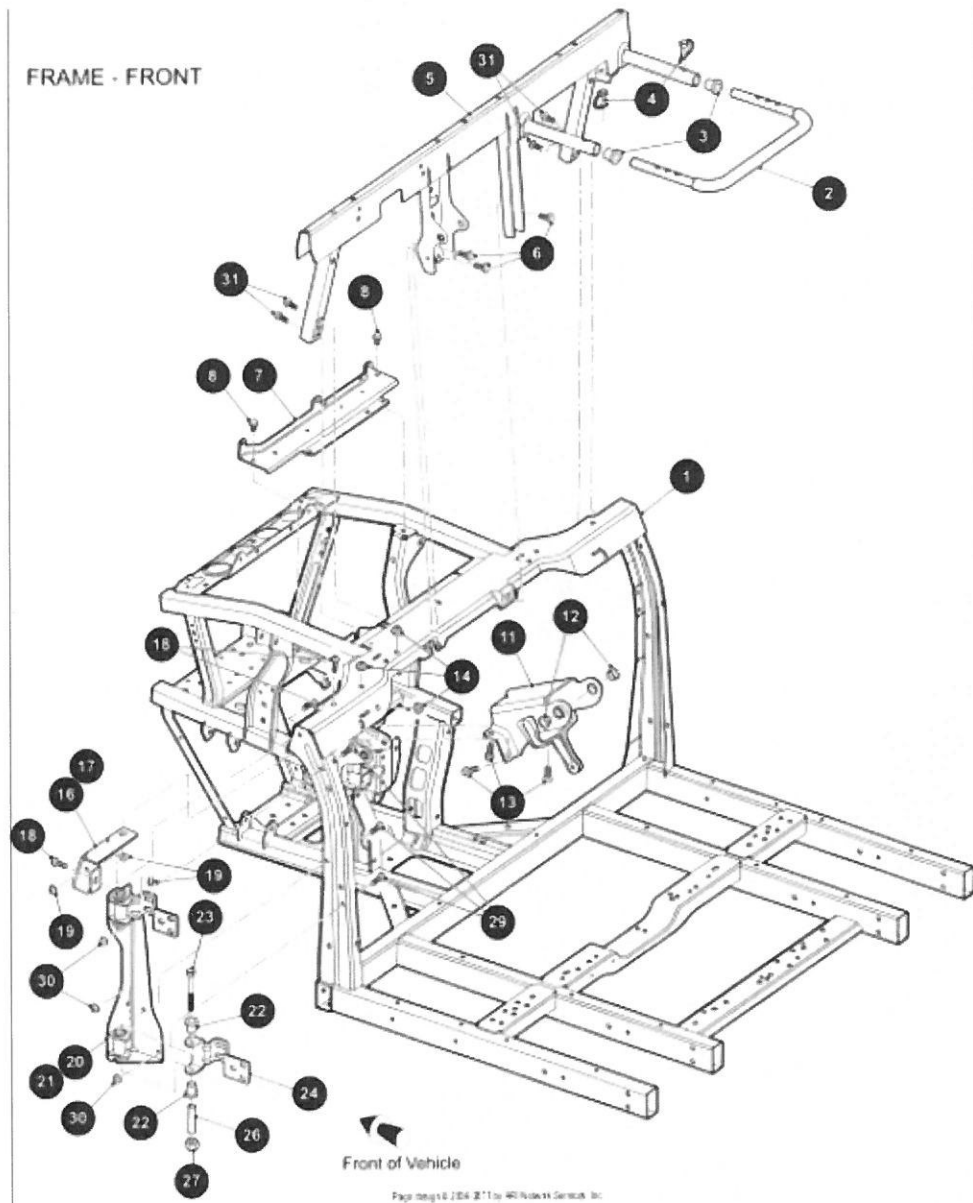
| Ref # | Part # | Description | Qty | Context | Note | ACE Cost | ACE MSRP |
|-------|-----------|--|-----|---------|------|----------|----------|
| 1 | 660711 | HEAT SHIELD,SEAT | 1 | | | | |
| 2 | 658517G01 | SEAT BELT ANCHOR COVER (DRIVER SIDE) | 1 | | | | |
| 3 | 658517G02 | SEAT BELT ANCHOR COVER (PASSENGER SIDE) | 1 | | | | |
| 4 | 606261 | BOLT, HXFL,M8-1.25 X 20 | 2 | | | | |
| 5 | 645956 | NUT,HXFL,PLS,LK,M8X1.25 | 2 | | | | |
| 6 | 601476 | LOCK NUT M6-1 | 1 | | | | |
| 7 | 606264 | BOLT, HXFL, M6-1 X 20 | 1 | | | | |

2018 STAMPEDE 4 BLACK [U2018SUW1SUSP] - EXHAUST HEAT SHIELDS [302464]



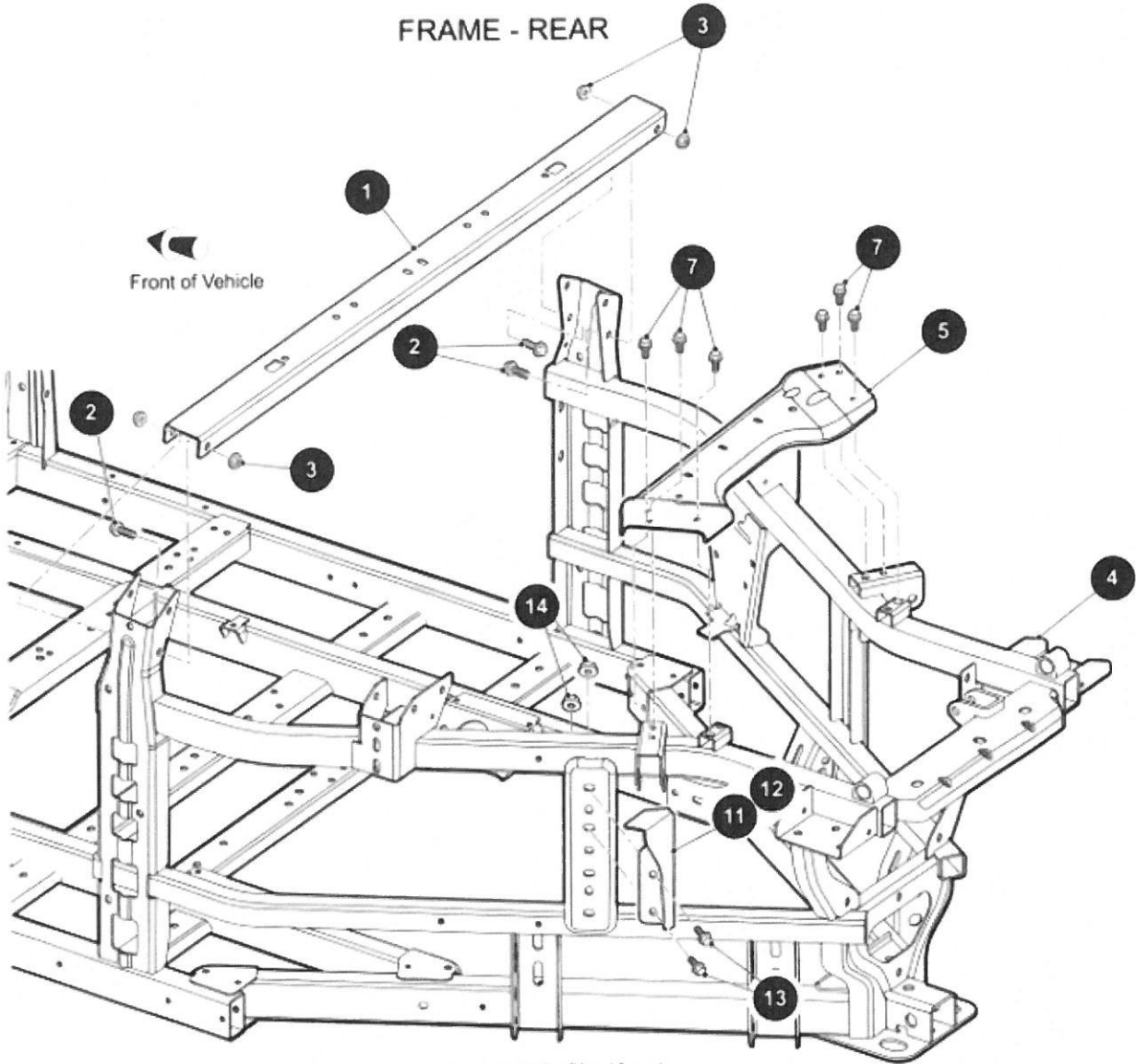
| Ref # | Part # | Description | Qty | Context | Note | ACE Cost | ACE MSRP |
|-------|---------|-------------------------------------|-----|---------|------|----------|----------|
| 1 | 646803 | BRKT, EXT CAB HEAT SHLD | 1 | | | | |
| 2 | 658252 | BRACKET,HEAT SHIELD,BED | 1 | | | | |
| 4 | 606264 | BOLT, HXFL, M6-1 X 20 | 4 | | | | |
| 5 | 601476 | LOCK NUT M6-1 | 4 | | | | |
| 7 | 649832 | HEAT SHIELD,BED | 1 | | | | |
| 8 | 646047 | SCREW, M6X2.14X20, PLASTITE,T30 | 10 | | | | |
| 9 | 00793G2 | WASHER-FL-B-REG-SS 1/4 | 10 | | | | |
| 10 | 653421 | HEAT SHIELD, BED, FRONT | 1 | | | | |
| 12 | 658439 | EXT.CAB HEATSHIELD | 1 | | | | |
| 13 | 653387 | EXT. CAB, TRAY, HEAT SHIELD | 1 | | | | |
| 14 | 649944 | EXT. CAB, TRAY OUTTER, HEAT SHIELD | 1 | | | | |
| 15 | 646047 | SCREW, M6X2.14X20, PLASTITE,T30 | 9 | | | | |
| 16 | 00793G2 | WASHER-FL-B-REG-SS 1/4 | 9 | | | | |
| 19 | 653268 | HEAT SHIELD,EXT.CAB, ACCESS PANEL | 1 | | | | |
| 20 | 653329 | HEAT SHIELD,EXT. CAB,STORAGE POCKET | 2 | | | | |

2018 STAMPEDE 4 BLACK [U2018SUW1SUSP] - FRAME - FRONT [302416]



| Ref # | Part # | Description | Qty | Context | Note | ACE | Cost | ACE | MSRP |
|-------|-------------|----------------------------------|-----|---------|------|-----|------|-----|------|
| 1 | 665555G03 | FRAME WELDMENT | 1 | | | | | | |
| 2 | 648464 | HANDLE, PASSENGER | 1 | | | | | | |
| 3 | 644356 | BUSHING,FLANGED,19.6MM ID | 2 | | | | | | |
| 4 | 646062 | LATCH PIN | 2 | | | | | | |
| 5 | 644068 | IP SUPPORT-WLD | 1 | | | | | | |
| 6 | 640723 | SCREW,SELF TAPPING,M8X1.25X20 | 3 | | | | | | |
| 7 | 643952 | BRACE,SHOCK TOWER,FRONT | 1 | | | | | | |
| 8 | 640723 | SCREW,SELF TAPPING,M8X1.25X20 | 2 | | | | | | |
| 11 | 644144G0390 | Steering Column Mount Weldment | 1 | | | | | | |
| 12 | 647352 | BUSHING, FLANGED, 5/8 SHAFT | 2 | | | | | | |
| 13 | 603799 | BOLT,HXFL,M10-1.5X25 | 3 | | | | | | |
| 14 | 600525 | NUT PLS LK M10-1.5 | 3 | | | | | | |
| 16 | 649370G01 | BRKT,BNB,A PILLAR CAP,LH- WLD | 1 | | | | | | |
| 17 | 649370G02 | BRKT,BNB,A PILLAR CAP,RH- WLD | 1 | | | | | | |
| 18 | 628635 | BOLT,PHD,MAT PT,M8-1.25 X 30 | 3 | | | | | | |
| 19 | 645956 | NUT,HXFL,PLS,LK,M8X1.25 | 3 | | | | | | |
| 20 | 644167G01 | BRKT,DOOR HINGE MTG,LH- WLD | 1 | | | | | | |
| 21 | 644167G02 | BRKT,DOOR HINGE MTG,RH- WLD | 1 | | | | | | |
| 22 | 637745 | BUSHING,LOWER CONTROL A-ARM | 4 | | | | | | |
| 23 | 00665G9 | SC-CAP-HEX-SS 3 1/2 | 2 | | | | | | |
| 24 | 643576 | HINGE,DOOR | 2 | | | | | | |
| 26 | 70289G02 | SPACER-SPLIT-MED/TXT (TEXT) | 2 | | | | | | |
| 27 | 11098G5 | NUT-LOCK-LIGHT-3/8-16 | 2 | | | | | | |
| 29 | 628635 | BOLT,PHD,MAT PT,M8-1.25 X 30 | 3 | | | | | | |
| 30 | 645956 | NUT,HXFL,PLS,LK,M8X1.25 | 3 | | | | | | |
| 31 | 640723 | SCREW,SELF TAPPING,M8X1.25X20 | 4 | | | | | | |

2018 STAMPEDE 4 BLACK [U2018SUW1SUSP] - FRAME - REAR [302470]

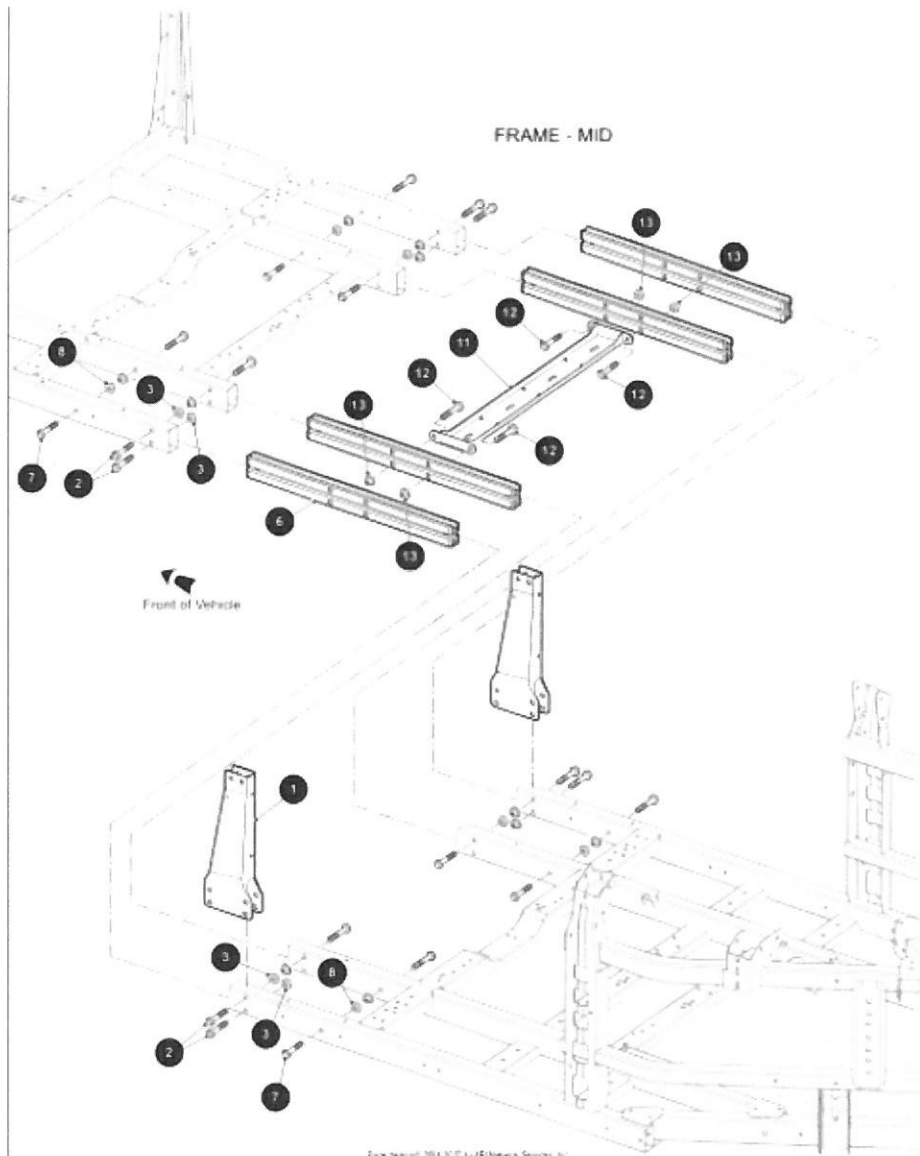


Page design © 2014-2017 by AH Network Services, Inc.

Arctic Cat Electronic Parts Catalogs

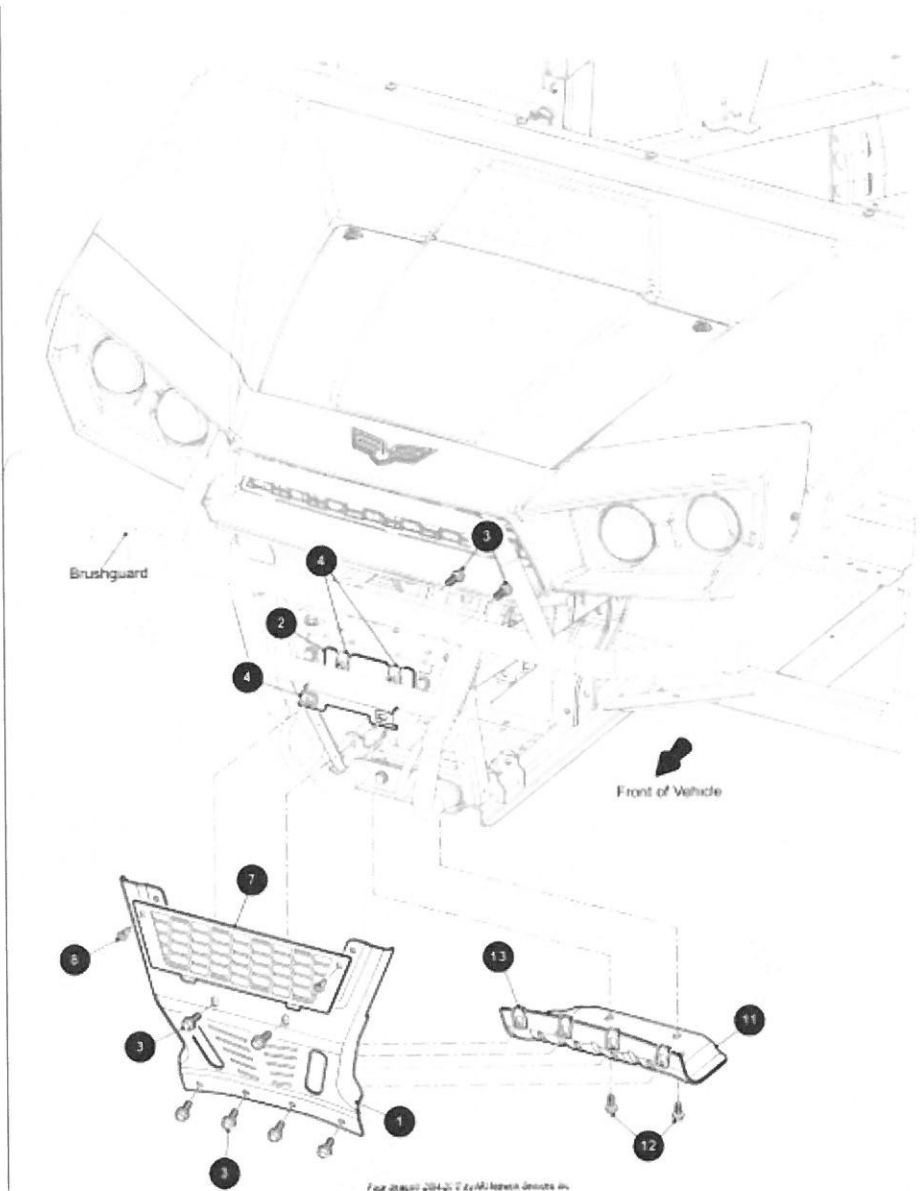
| Ref # | Part # | Description | Qty | Context | Note | ACE Cost | ACE MSRP |
|-------|-----------|----------------------------------|-----|---------|------|----------|----------|
| 1 | 642503 | CROSSMEMBER,B-PILLAR | 1 | | | | |
| 2 | 603799 | BOLT,HXFL,M10-1.5X25 | 4 | | | | |
| 3 | 600525 | NUT PLS LK M10-1.5 | 4 | | | | |
| 4 | 665566G03 | Rear Frame | 1 | | | | |
| 5 | 652653 | SHOCK TOWER BRACE, REAR | 1 | | | | |
| 7 | 640723 | SCREW,SELF TAPPING,M8X1.25X20 | 6 | | | | |
| 11 | 653159G01 | BRACKET,BED LATCH,LH | 1 | | | | |
| 12 | 653159G02 | BRACKET,BED LATCH,RH | 1 | | | | |
| 13 | 603799 | BOLT,HXFL,M10-1.5X25 | 2 | | | | |
| 14 | 600525 | NUT PLS LK M10-1.5 | 2 | | | | |

2018 STAMPEDE 4 BLACK [U2018SUW1SUSP] - FRAME - SEAT UPRIGHT [302469]



| Ref # | Part # | Description | Qty | Context | Note | ACE | Cost | ACE | MSRP |
|-------|--------|-----------------------------------|-----|---------|------|-----|------|-----|------|
| 1 | 648595 | B-PILLAR,SEAT UPRIGHT | 1 | | | | | | |
| 2 | 655641 | BOLT,HXFL,M10-1.5X60 | 4 | | | | | | |
| 3 | 600525 | NUT PLS LK M10-1.5 | 4 | | | | | | |
| 6 | 647792 | CONNECTOR,FRAME,EXTRUDED | 1 | | | | | | |
| 7 | 655641 | BOLT,HXFL,M10-1.5X60 | 2 | | | | | | |
| 8 | 600525 | NUT PLS LK M10-1.5 | 2 | | | | | | |
| 11 | 656099 | CROSSMEMBER,SKID GUARD MT- WLD | 1 | | | | | | |
| 12 | 655641 | BOLT,HXFL,M10-1.5X60 | 4 | | | | | | |
| 13 | 600525 | NUT PLS LK M10-1.5 | 4 | | | | | | |

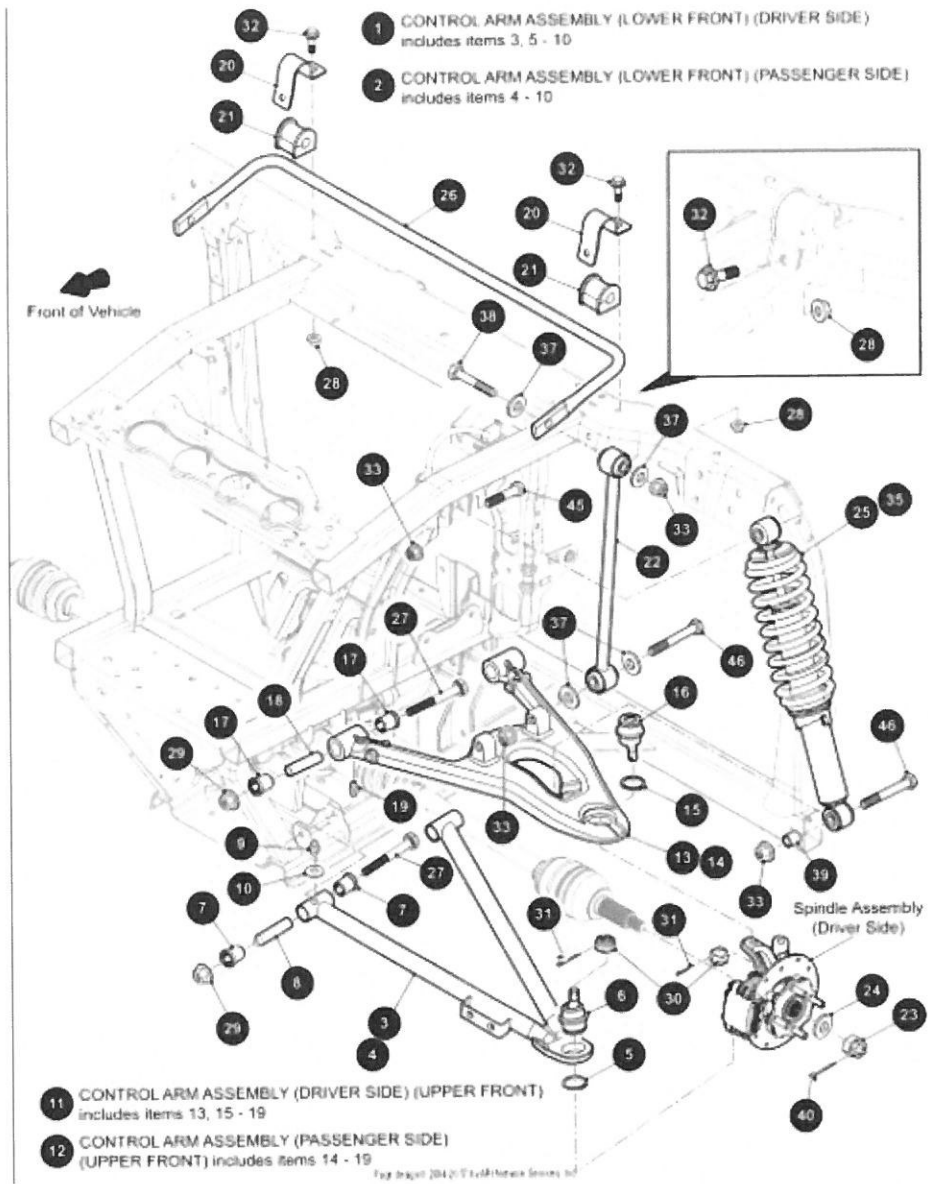
2018 STAMPEDE 4 BLACK [U2018SUW1SUSP] - FRAME SHIELD [302386]



Arctic Cat Electronic Parts Catalogs

| Ref # | Part # | Description | Qty | Context | Note | ACE Cost | ACE MSRP |
|-------|--------|------------------------------|-----|---------|------|----------|----------|
| 1 | 652651 | SHIELD,FRAME,FRT,UPR | 1 | | | | |
| 2 | 651894 | BRKT-SHIELD MOUNT | 1 | | | | |
| 3 | 603799 | BOLT,HXFL,M10-1.5X25 | 8 | | | | |
| 4 | 603818 | CLIP BARREL M10-1.5 | 4 | | | | |
| 7 | 650827 | CLOSEOUT, WINCH | 1 | | | | |
| 8 | 645637 | RIVET,REMOVABLE,.320,PLASTIC | 2 | | | | |
| 11 | 652652 | SHIELD,FRAME,FRT,LWR | 1 | | | | |
| 12 | 603799 | BOLT,HXFL,M10-1.5X25 | 2 | | | | |
| 13 | 603818 | CLIP BARREL M10-1.5 | 4 | | | | |

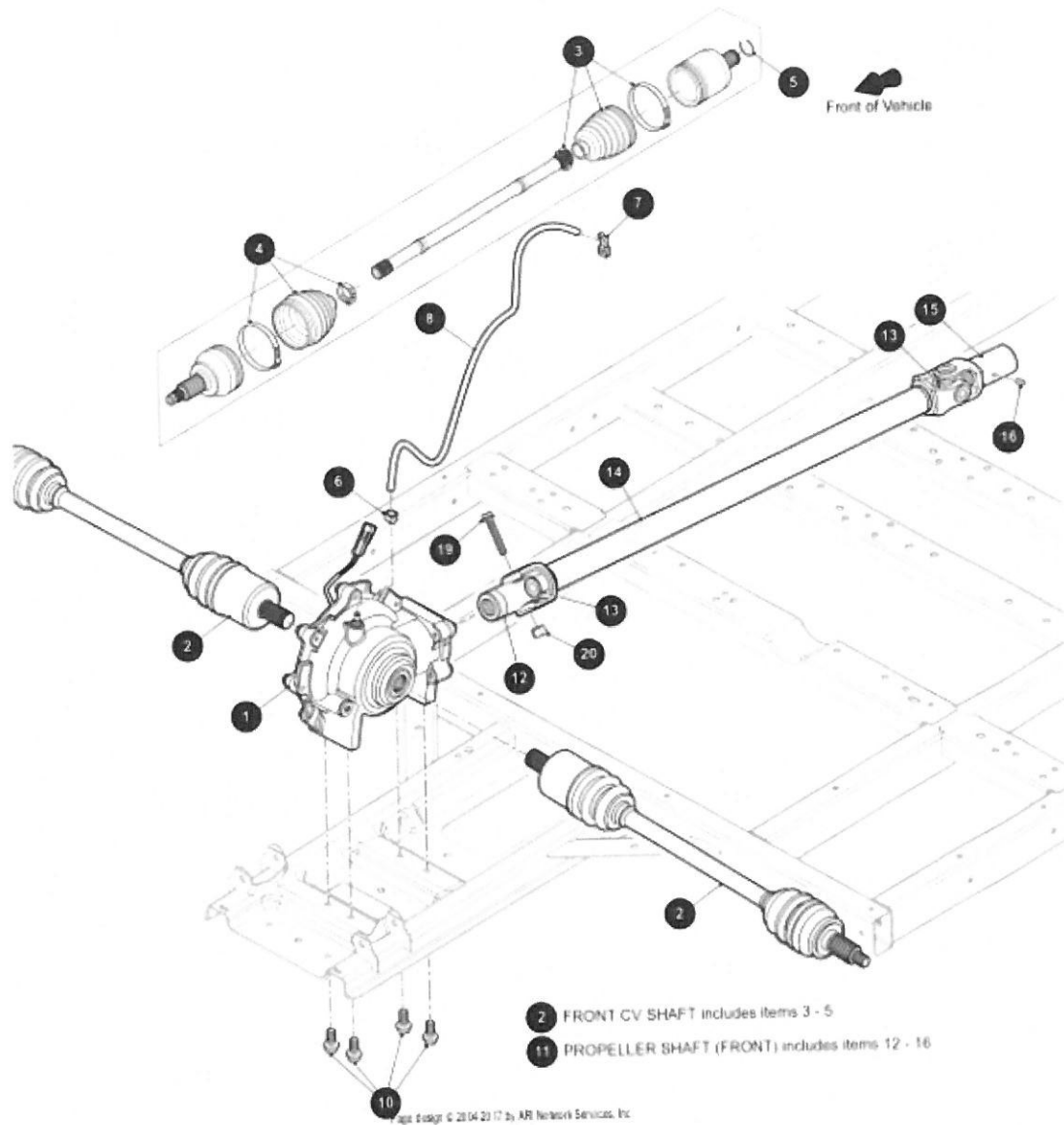
2018 STAMPEDE 4 BLACK [U2018SUW1SUSP] - FRONT CONTROL ARM ASSEMBLY [302471]



Arctic Cat Electronic Parts Catalogs

| Ref # | Part # | Description | Qty | Context Note | ACE Cost | ACE MSRP |
|-------|-----------|---------------------------------------|-----|---------------------|----------|----------|
| 1 | 639607G01 | A-ARM,FRT,LWR,LH-ASSY | 1 | (inc. 3 and 5-10) | | |
| 2 | 639607G02 | A-ARM,FRT,LWR,RH-ASSY | 1 | (inc. 4-10) | | |
| 3 | 633912G01 | A-ARM,FRNT,LWR,LH-WLD (Fabricated) | 1 | | | |
| 4 | 633912G02 | A-ARM,FRNT,LWR,RH-WLD (Fabricated) | 1 | | | |
| 5 | 634376 | SNAP RING,EXTERNAL,32 MM | 1 | | | |
| 6 | 635130 | BALL JOINT,M12x1.25 | 1 | | | |
| 7 | 647320 | BUSHING,FLANGED,15.875MM ID | 4 | | | |
| 8 | 647322G01 | TUBE,10.54MM,ID,X60.95 LONG | 2 | | | |
| 9 | 654868G01 | ZERK,STRAIGHT,1/4-28 THDFMG | 2 | | | |
| 10 | 655130 | WASHER,FLAT,M6,PER DIN 125A | 2 | | | |
| 11 | 639615G01 | A-ARM,FRONT,UPPER-ASSY | 1 | (inc. 13 and 15-19) | | |
| 12 | 639615G02 | A-ARM,FRONT,UPPER-ASSY | 1 | (inc. 14-19) | | |
| 13 | 643488G01 | A-ARM,FRONT,UPPER,LH | 1 | | | |
| 14 | 643488G02 | A-ARM,FRONT,UPPER,RH | 1 | | | |
| 15 | 634376 | SNAP RING,EXTERNAL,32 MM | 1 | | | |
| 16 | 635130 | BALL JOINT,M12x1.25 | 1 | | | |
| 17 | 647320 | BUSHING,FLANGED,15.875MM ID | 4 | | | |
| 18 | 647322G01 | TUBE,10.54MM,ID,X60.95 LONG | 2 | | | |
| 19 | 654868G01 | ZERK,STRAIGHT,1/4-28 THDFMG | 2 | | | |
| 20 | 648453 | BRACKET, SWAY BAR BUSHING, FRONT | 2 | | | |
| 21 | 647988 | BUSHING,SWAY BAR | 2 | | | |
| 22 | 634391 | LINK,FRNT STAB-BAR | 1 | | | |
| 23 | 653662 | NUT,CASTLE,M18X1.5MM,DIN935 | 1 | | | |
| 24 | 653546 | WASHER,HARDENED,M18,DIN 125 | 1 | | | |
| 25 | 652617 | SHOCK,50.8MM BODY,FRONT | 1 | | | |
| 26 | 633728 | STABILIZER BAR,FRONT | 1 | | | |
| 27 | 648282 | HHCS,M10X1.5X85MM | 4 | | | |
| 28 | 600525 | NUT PLS LK M10-1.5 | 4 | | | |
| 29 | 648753 | NUT,FLHD,PLSLK,M10 X 1.5,PC8 | 4 | | | |
| 30 | 608005 | CASTLE NUT M12-1.25 | 2 | | | |
| 31 | 10387G2 | PIN-COTTER-.094X1.00 | 2 | | | |
| 32 | 603799 | BOLT,HXFL,M10-1.5X25 | 4 | | | |
| 33 | 648198 | NUT, PLS, LK, M12-1.75 | 4 | | | |
| 35 | 667177 | SHOCK,50.8MM BODY,FRONT,WHT | 1 | | | |
| 37 | 603182 | WASH,FLAT,M12,13.5X32X3 | 4 | | | |
| 38 | 01066G05 | HHCS,M12 X 1.75 X 70MM | 1 | | | |
| 39 | 646314 | SPACER,SHOCK MTG | 1 | | | |
| 40 | 00798G8 | PIN-COTTER 5/32 X 1 3/4 | 1 | | | |
| 45 | 01066G04 | HHCS,M12X1.75X60MM | 1 | | | |
| 46 | 01066G06 | HHCS,M12 X 1.75 X 90MM | 2 | | | |

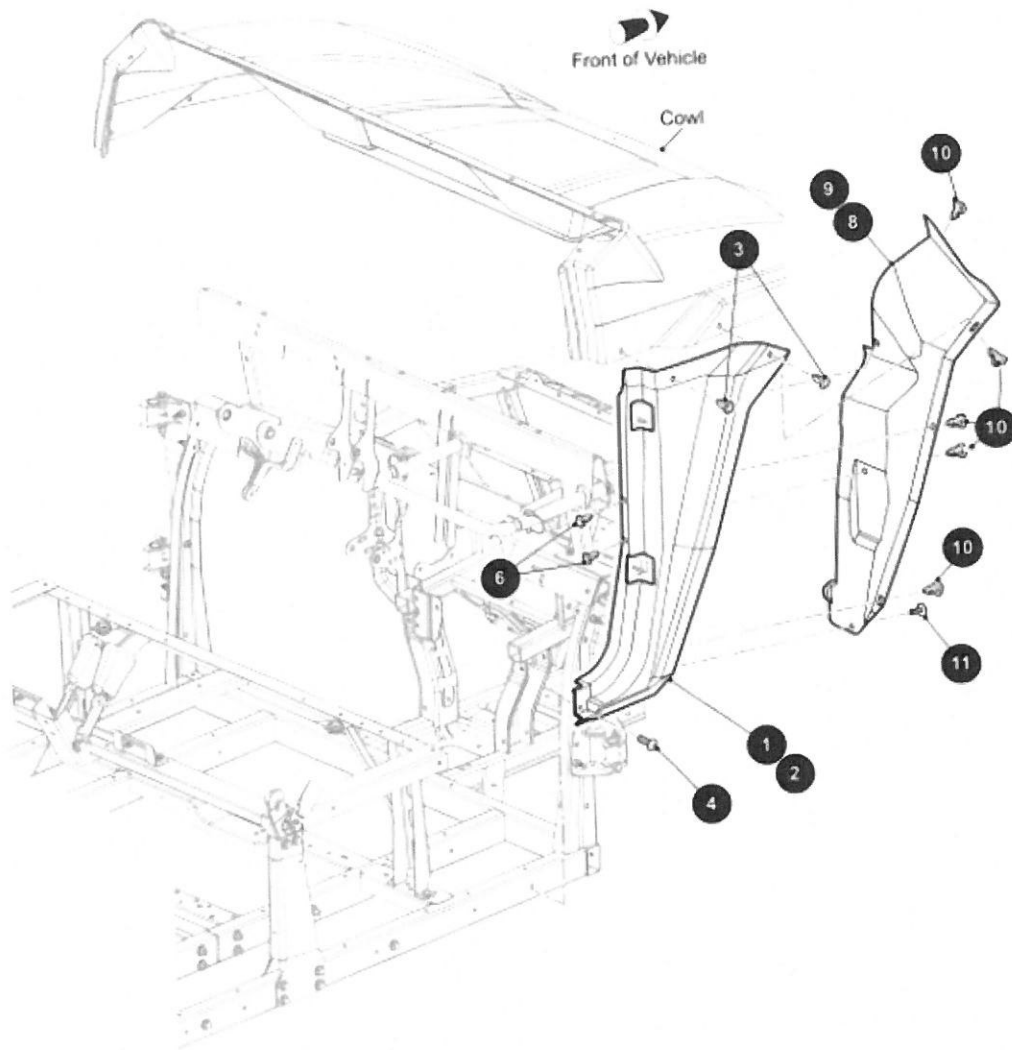
2018 STAMPEDE 4 BLACK [U2018SUW1SUSP] - FRONT DRIVE GEARCASE/AXLES [302397]



Arctic Cat Electronic Parts Catalogs

| Ref # | Part # | Description | Qty | Context Note | ACE Cost | ACE MSRP |
|-------|-----------|-----------------------------------|-----|----------------|----------|----------|
| 1 | 640519 | DIFF,FRONT,CTR CLOCKWISE | 1 | | | |
| 2 | 651685 | CV,FRONT | 1 | (inc. 3 - 5) | | |
| 3 | 654352 | SVC-KIT,BOOT,DOJ | 1 | | | |
| 4 | 656390 | SVC-KIT,BOOT,CV | 1 | | | |
| 5 | 654350 | SVC-CIRCLIP, FRONT DOJ | 1 | | | |
| 6 | 17618G1 | CLAMP - NYLON | 1 | | | |
| 7 | 646439 | CABLE TIE,EDGE CLIP,PARALLEL | 1 | | | |
| 8 | 644294 | HOSE,6.35MM ID,VENT,FRONT DIFF | 1 | | | |
| 10 | 641289 | BOLT,3/8-16 x 1.00FLG,HX,GR 8 | 4 | | | |
| 11 | 649320 | SHAFT, PROPELLAR, FRONT | 1 | (inc. 12 - 16) | | |
| 12 | 654354 | SVC-YOKE, PIN | 1 | | | |
| 13 | 654355 | SVC-KIT, CROSS & BEARING | 2 | | | |
| 15 | 654356 | SVC-YOKE, SLIP | 1 | | | |
| 14 | - | Shaft | 1 | | | |
| 16 | 654357 | SVC-FITTING, GREASE | 1 | | | |
| 19 | 630804G01 | SCREW,FLANGE,5/16-18X2 | 1 | | | |
| 20 | 11098G6 | NUT-LOCK-PLASTIC INSERT | 1 | | | |

2018 STAMPEDE 4 BLACK [U2018SUW1SUSP] - FRONT FENDER [302444]

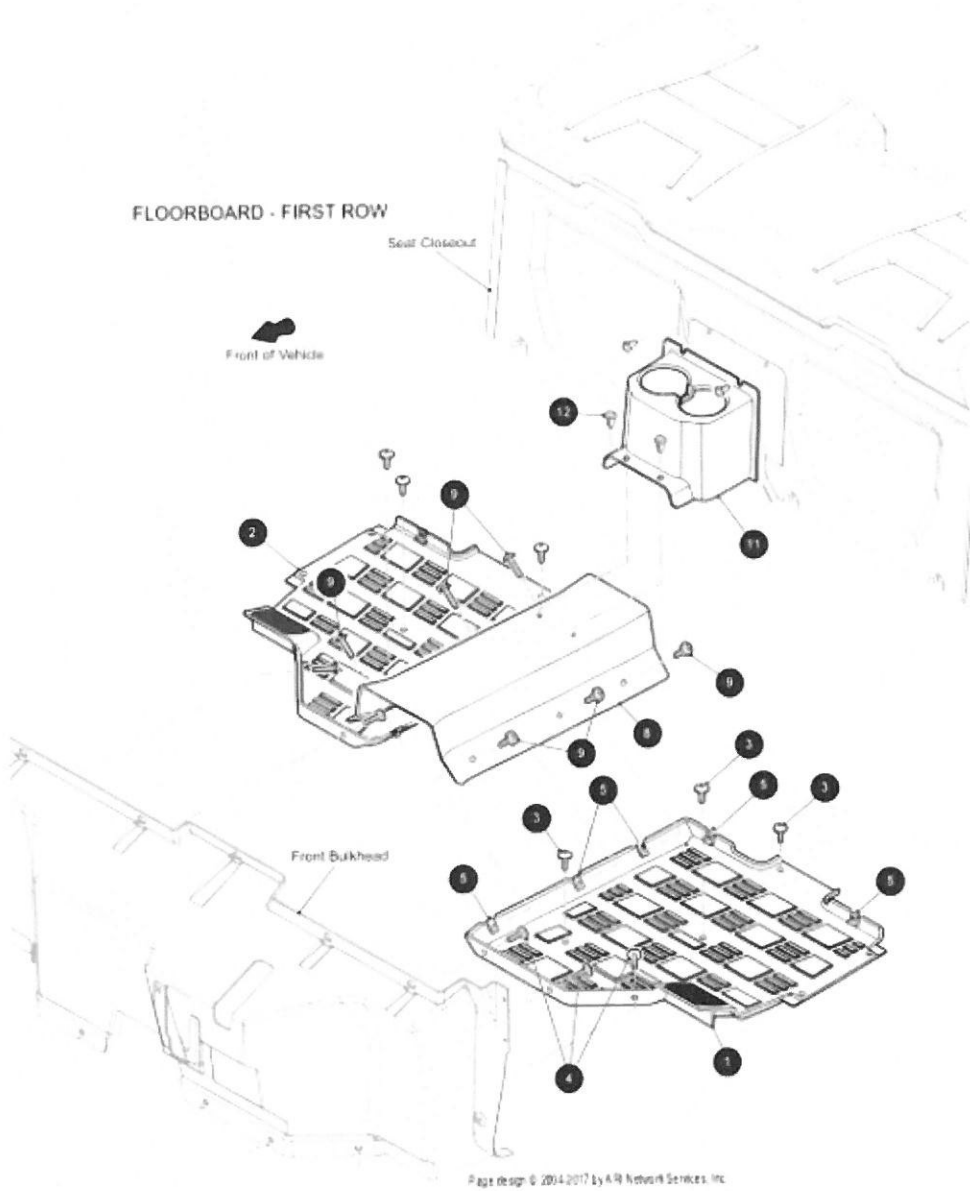


Page design © 2014-2017 by ARV Research Services, Inc.

Arctic Cat Electronic Parts Catalogs

| Ref # | Part # | Description | Qty | Context | Note | ACE Cost | ACE MSRP |
|-------|-----------|--|-----|---------|------|----------|----------|
| 1 | 641176G01 | FENDER,FRONT,LH | 1 | | | | |
| 2 | 641176G02 | FENDER,FRONT,RH | 1 | | | | |
| 3 | 645637 | RIVET,REMOVABLE, .320,PLASTIC | 2 | | | | |
| 4 | 644969 | SCREW,M6X1X20,PAN WSHR HD,SLF TAP,T30 | 1 | | | | |
| 6 | 667790 | REMOVABLE RIVET, 8.13MM DIA X 21MM LG | 2 | | | | |
| 8 | 646343G01 | FENDER LINER, DRIVER | 1 | | | | |
| 9 | 646343G02 | FENDER LINER,PASS | 1 | | | | |
| 10 | 667790 | REMOVABLE RIVET, 8.13MM DIA X 21MM LG | 5 | | | | |
| 11 | 644969 | SCREW,M6X1X20,PAN WSHR HD,SLF TAP,T30 | 1 | | | | |

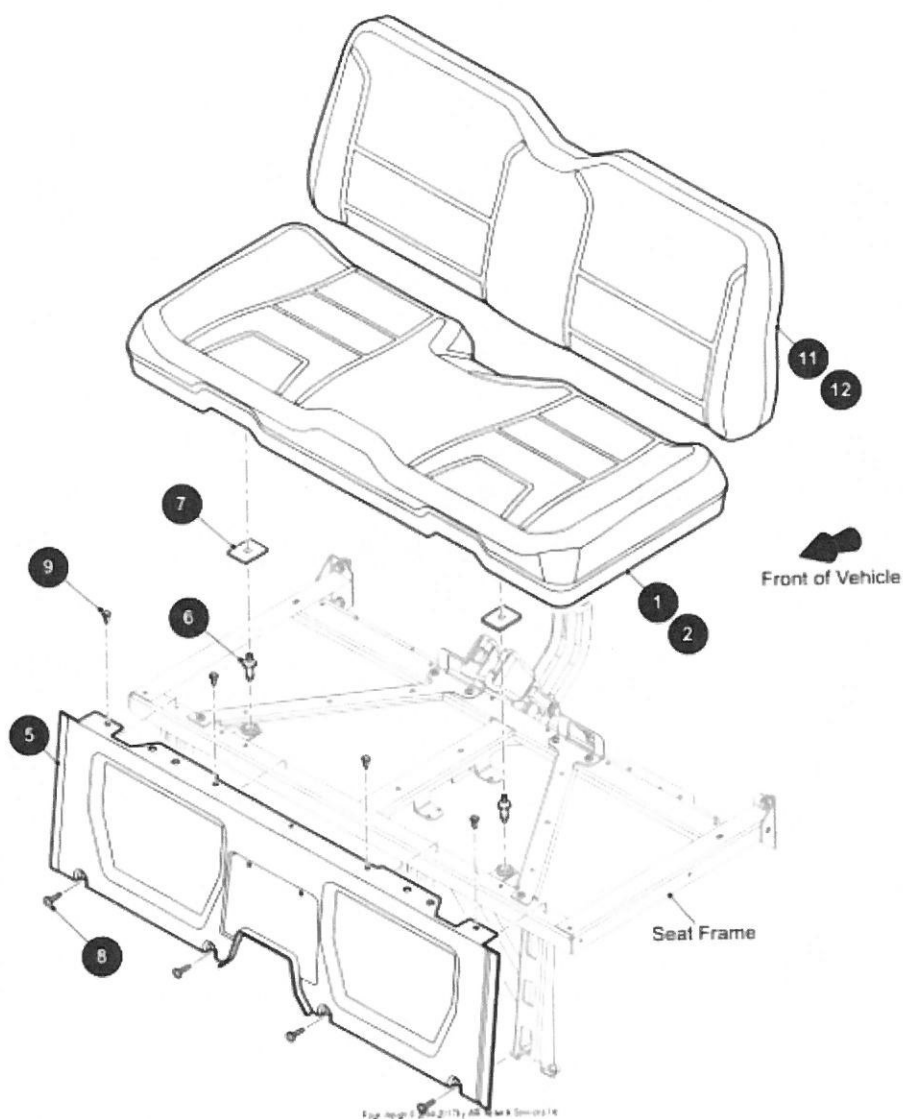
2018 STAMPEDE 4 BLACK [U2018SUW1SUSP] - FRONT FLOORBOARD [302449]



| Ref # | Part # | Description | Qty | Context Note | ACE Cost | ACE MSRP |
|-------|--------|--|-----|--------------|----------|----------|
| 1 | 641759 | FLOORBOARD-DS | 1 | | | |
| 2 | 641840 | FLOORBOARD-PS | 1 | | | |
| 3 | 644969 | SCREW,M6X1X20,PAN WSHR HD,SLF TAP,T30 | 3 | | | |
| 4 | 645323 | SCREW,M6X1,PAN WSHR HD,T30 TORX | 3 | | | |
| 5 | 602409 | CLIP BARREL M6-1 | 5 | | | |
| 8 | 641839 | FLOORBOARD-CENTER CHANNEL | 1 | | | |
| 9 | 645323 | SCREW,M6X1,PAN WSHR HD,T30 TORX | 6 | | | |
| 11 | 641662 | CUP HOLDER | 1 | | | |
| 12 | 667790 | REMOVABLE RIVET, 8.13MM DIA X 21MM LG | 4 | | | |

2018 STAMPEDE 4 BLACK [U2018SUW1SUSP] - FRONT SEAT ASSEMBLY [302474]

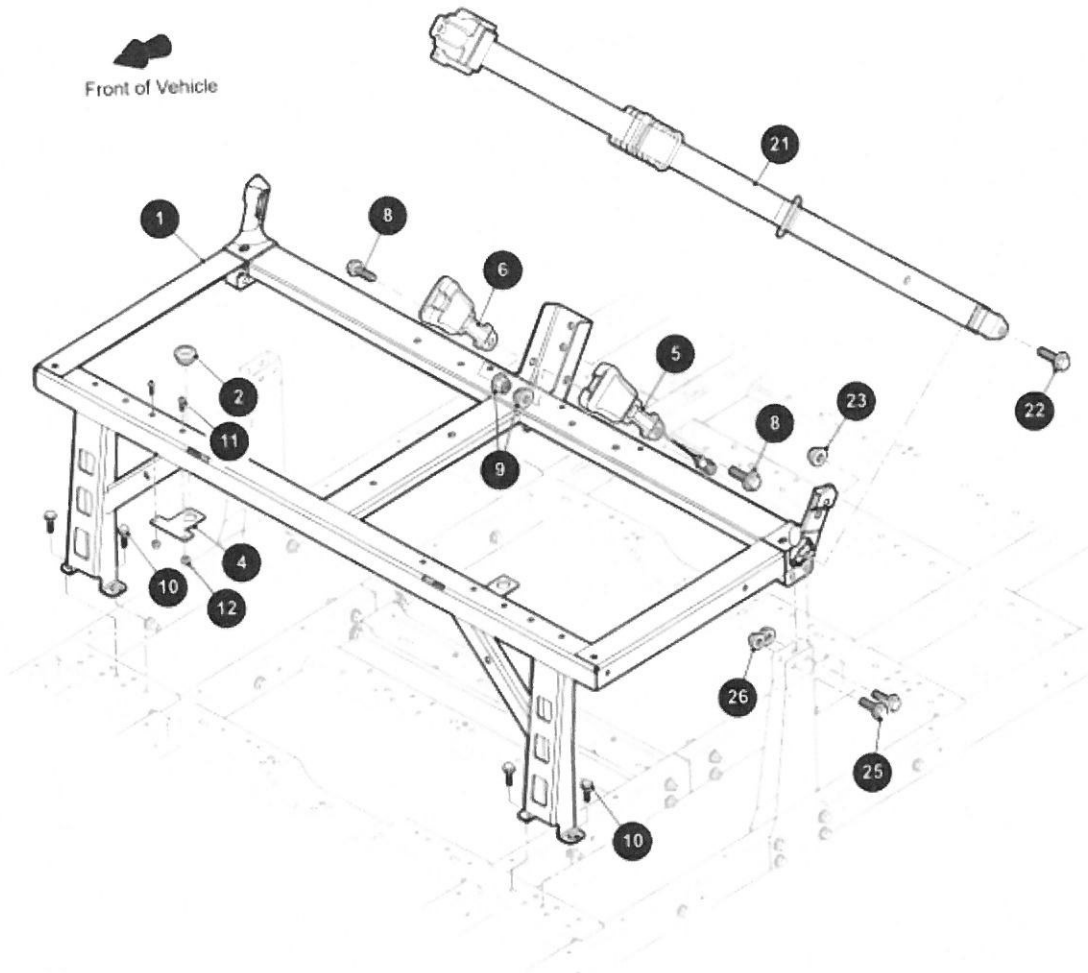
FRONT SEATING



| Ref # | Part # | Description | Qty | Context | Note | ACE Cost | ACE MSRP |
|-------|-----------|---|-----|---------|------|----------|----------|
| 1 | 645899G06 | SEAT BTM,BLACK-ASSY | 1 | | | | |
| 2 | 655916GXX | SEAT BOTTOM ASSEMBLY | 1 | | | | |
| 2 | 655916G20 | SEAT BTM,STITCHED,INFERNO RED-ASSY | | | | | |
| 2 | 55916G41 | Seat Bottom Assembly (For Stampede - 4X) - Electric Blue | | | | | |
| 5 | 641394 | SEAT, CLOSEOUT | 1 | | | | |
| 6 | 639904 | PIN,SEAT RETENTION | 2 | | | | |
| 7 | 646115 | PLATE,BACKING | 2 | | | | |
| 8 | 645323 | SCREW,M6X1,PAN WSHR HD,T30 TORX | 4 | | | | |
| 9 | 667790 | REMOVABLE RIVET, 8.13MM DIA X 21MM LG | 4 | | | | |
| 11 | 645900G06 | SEAT BACK,BLACK-ASSY | 1 | | | | |
| 12 | 655923GXX | SEAT BACK ASSEMBLY | 1 | | | | |
| 12 | 655923G20 | SEAT BACK,STITCHED,INFERNO RED-ASSY | | | | | |
| 12 | 655923G41 | SEAT BACK,STITCHED,ELECTRIC BLUE-ASSY | | | | | |

2018 STAMPEDE 4 BLACK [U2018SUW1SUSP] - FRONT SEAT FRAME [302476]

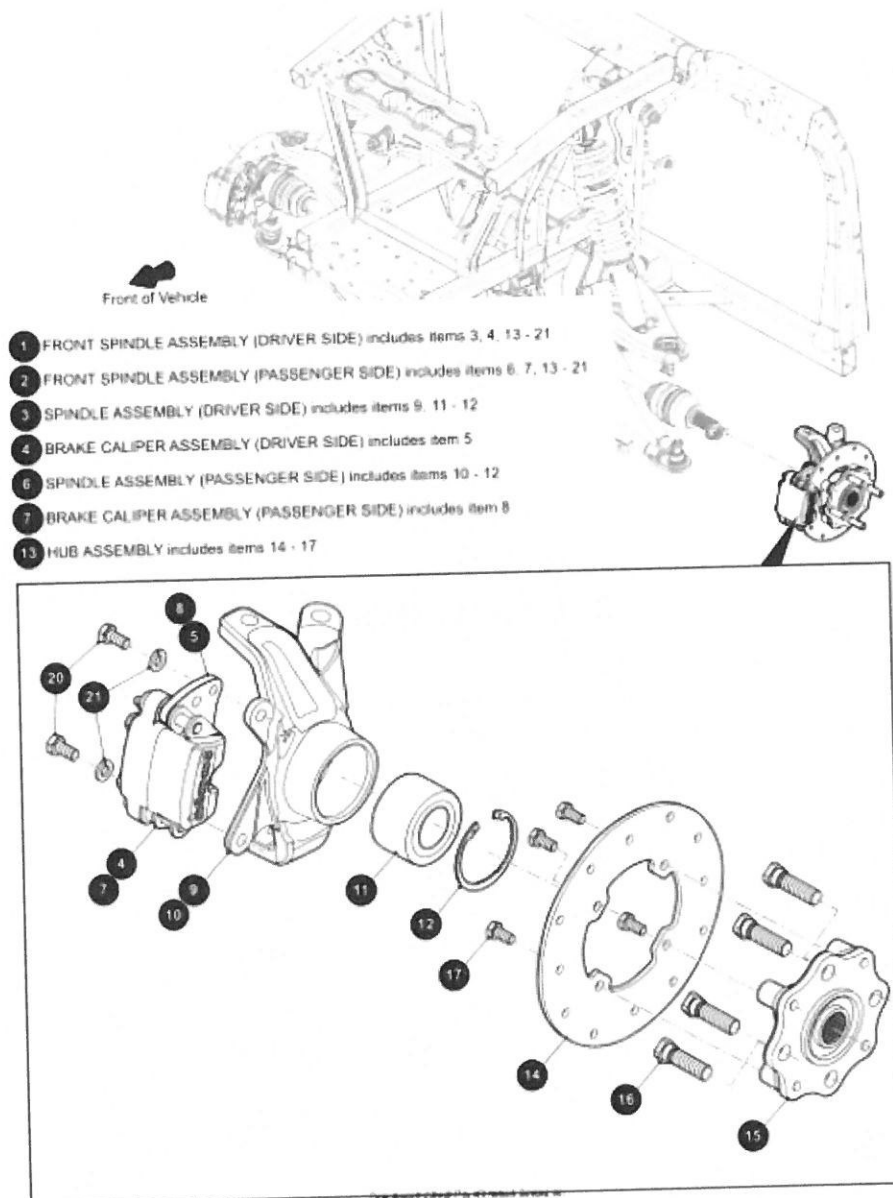
FRONT SEAT FRAME



Page design © 2014-2017 by AR1/Network Services, Inc.

| Ref # | Part # | Description | Qty | Context | Note | ACE | Cost | ACE | MSRP |
|-------|--------|---|-----|---------|------|-----|------|-----|------|
| 1 | 661872 | Needs Description | 1 | | | | | | |
| 2 | 638668 | GROMMET,SEAT RETENTION | 2 | | | | | | |
| 4 | 638697 | BRACKET,SEAT RETENTION | 2 | | | | | | |
| 5 | 643660 | SEAT BELT LATCH W/CONNECTOR | 1 | | | | | | |
| 6 | 648412 | SEATBELT LATCH W/O CONNECTOR | 1 | | | | | | |
| 8 | 649013 | BOLT, HXFL, M12-1.75X30 | 2 | | | | | | |
| 9 | 648198 | NUT, PLS, LK, M12-1.75 | 2 | | | | | | |
| 10 | 640723 | SCREW,SELF TAPPING,M8X1.25X20 | 4 | | | | | | |
| 11 | 612859 | MACH SCREW,M5-0.8X12 | 4 | | | | | | |
| 12 | 610683 | NUT,LK-M5-0.8 | 4 | | | | | | |
| 21 | 649870 | RETRACTOR, ANTI-CINCH, SEAT BELT,112 IN. | 1 | | | | | | |
| 22 | 652665 | BOLT,HXFL,M12X1.75X45 | 1 | | | | | | |
| 23 | 616971 | LOCK NUT, M12 - 1.75 | 1 | | | | | | |
| 25 | 603800 | BOLT HXFL M10-1.5X50 | 4 | | | | | | |
| 26 | 600525 | NUT PLS LK M10-1.5 | 4 | | | | | | |

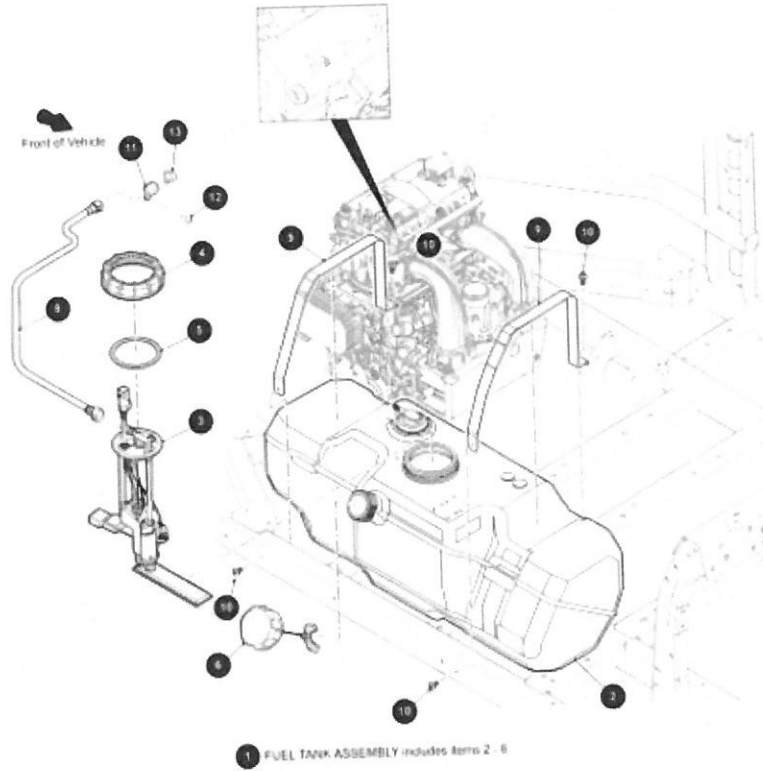
2018 STAMPEDE 4 BLACK [U2018SUW1SUSP] - FRONT SPINDLE ASSEMBLY [302424]



| Ref # | Part # | Description | Qty | Context Note | ACE Cost | ACE MSRP |
|-------|------------|--------------------------------------|-----|------------------------|----------|----------|
| 1 | 634030G01 | SPINDLE,FRONT,LH-ASSY | 1 | (inc. 3-4 and 13 - 21) | | |
| 2 | 634030G02 | SPINDLE,FRONT,RH-ASSY | 1 | (inc. 6-7 and 13 - 21) | | |
| 3 | 651647G01 | SPINDLE,FRONT,LH-ASSY | 1 | (inc. 9 and 11 - 12) | | |
| 4 | 633918G01 | BRAKE CALIPER-ASSY-DRVR SD | 1 | (inc. 5) | | |
| 5 | 649167 | TRUCK/SHUTTLE BRAKE PAD | 1 | | | |
| 6 | 651647G02 | SPINDLE,FRONT,RH-ASSY | 1 | (inc. 10 - 12) | | |
| 7 | 633918G02 | BRAKE CALIPER-ASSY-PASS SD | 1 | (inc. 8) | | |
| 8 | 649167 | TRUCK/SHUTTLE BRAKE PAD | 1 | | | |
| 9 | 650034G01 | SPINDLE,FRONT,LH | 1 | | | |
| 10 | 650034G02 | SPINDLE,FRONT,RH | 1 | | | |
| 11 | 650469 | BEARING,72MM OD,42MM ID | 1 | | | |
| 12 | 651145 | RETAINING RING,INTERNAL,72MM | 1 | | | |
| 13 | 650227G01 | HUB,4X137MM-ASSY | 1 | (inc. 14 - 17) | | |
| 14 | 650228 | ROTOR,CROSS DRILLED | 1 | | | |
| 15 | 650221G101 | HUB,MACH,INDPNDNT | 1 | | | |
| 16 | 19862G2 | BOLT, WHEEL | 4 | | | |
| 17 | 636096 | SCREW,HX HD, M8-1.25 X 20,CL 10.9 | 4 | | | |
| 20 | 00426G8 | SCREW-3/8-16X1-CAP-HEX-CP | 2 | | | |
| 21 | 00566G1 | WASHER-LOCK-SPRING TYPE,3/8 | 2 | | | |

2018 STAMPEDE 4 BLACK [U2018SUW1SUSP] - FUEL TANK ASSEMBLY [302419]

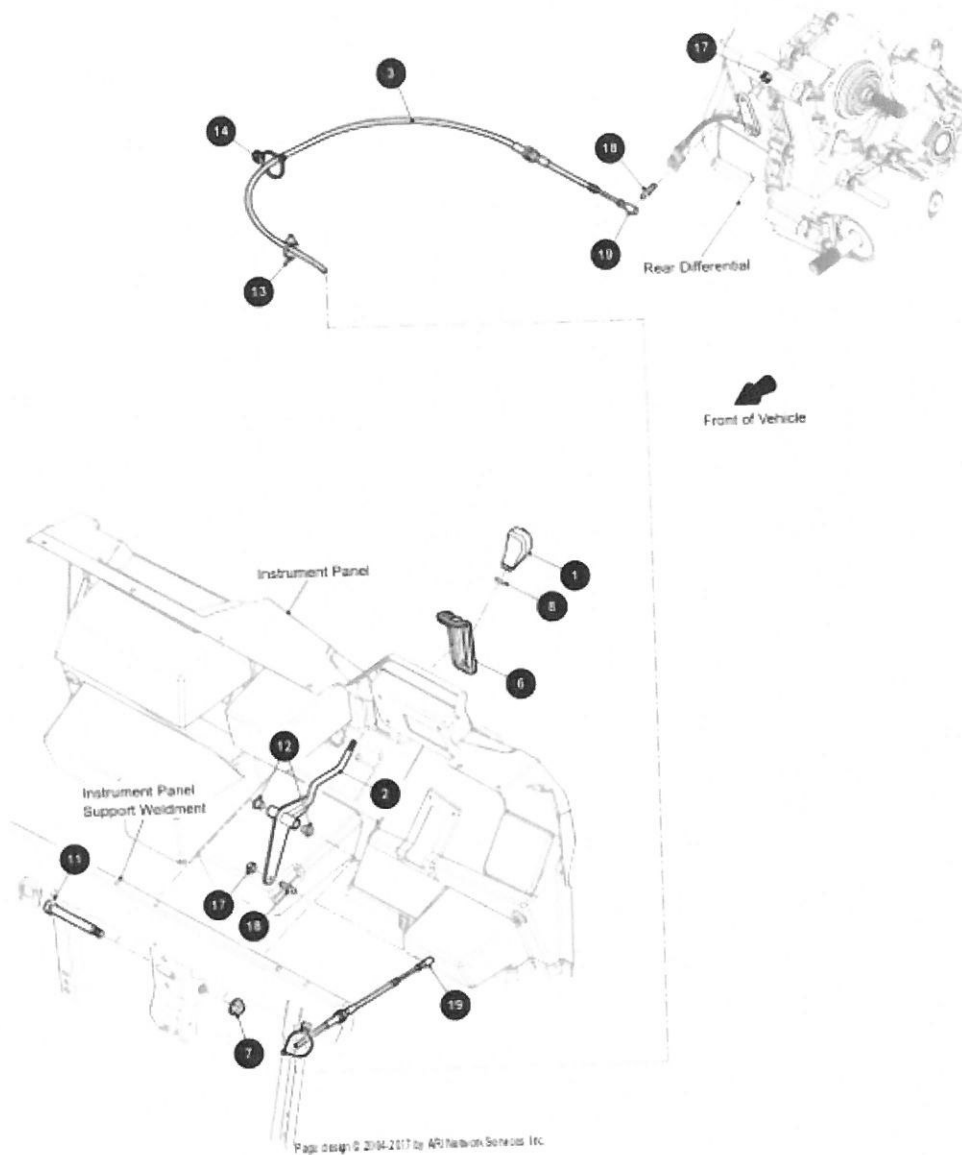
For STAMPEDE and STAMPEDE A CARB MODELS ONLY
For STAMPEDE 4 and STAMPEDE 4X - CARB MODELS ONLY



Page Image © 2017 by Arctic Cat Inc.

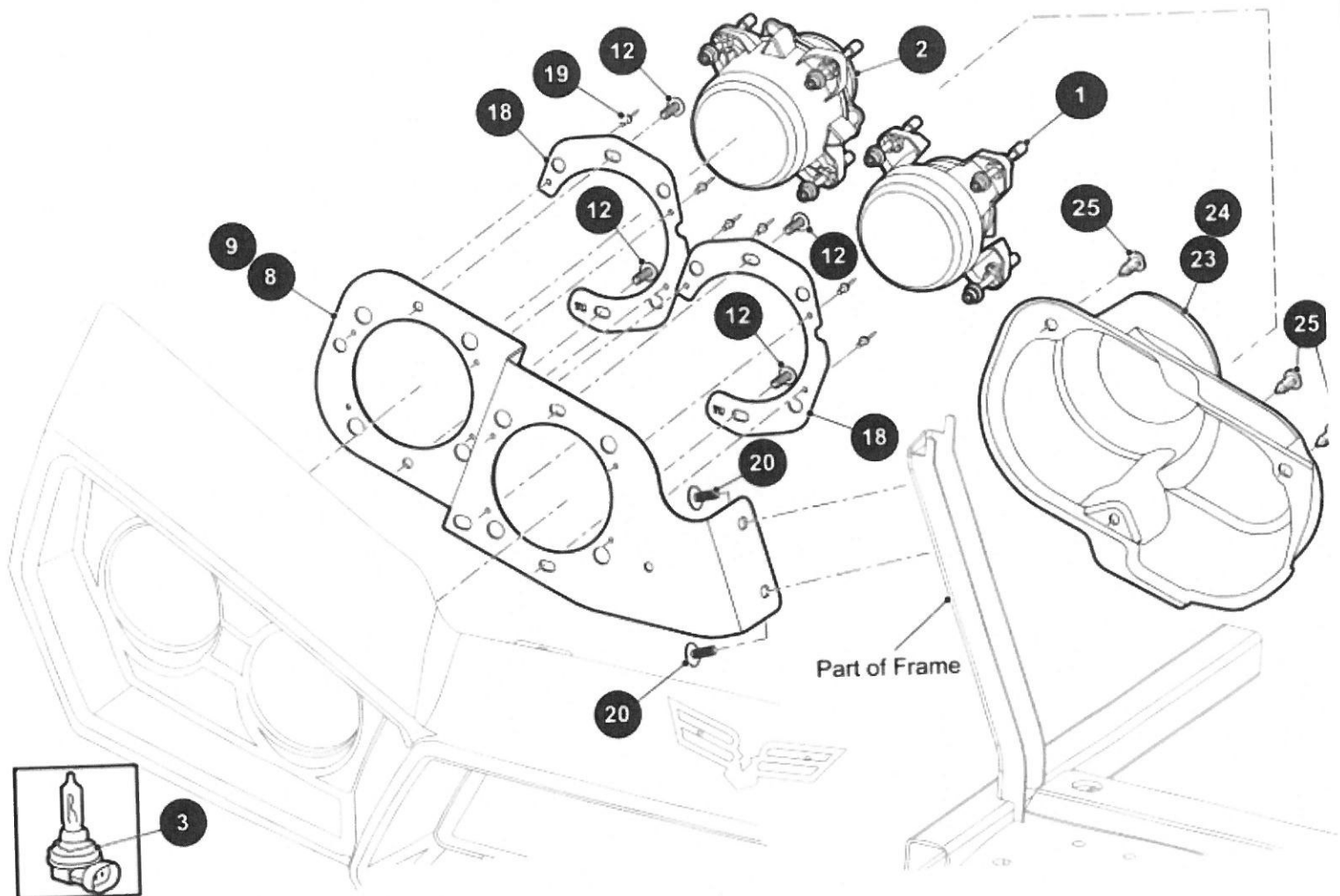
| Ref # | Part # | Description | Qty | Context Note | ACE Cost | ACE MSRP |
|-------|--------|--|-----|--------------|----------|----------|
| 1 | 659538 | FUEL TANK ASSEMBLY, 9 GAL. | 1 | (inc. 2 - 6) | | |
| 2 | 659536 | FUEL TANK | 1 | | | |
| 3 | 642827 | SVC_ASSY,FUEL PUMP,4 BAR | 1 | | | |
| 4 | 642858 | SVC_RING,FUEL PUMP,LOCKING | 1 | | | |
| 5 | 649707 | SVC_GASKET,PFA | 1 | | | |
| 6 | 635688 | CAP,FUEL,RATCHET GASKET KELCH | 1 | | | |
| 8 | 663560 | FUEL HOSE | 1 | | | |
| 9 | 652124 | STRAP,FUEL TANK | 2 | | | |
| 10 | 644969 | SCREW,M6X1X20,PAN WSHR HD,SLF TAP,T30 | 4 | | | |
| 11 | 404018 | TUBE HANGER CLAMP / RSGU 1. 17/15 W5 | 1 | | | |
| 12 | 645323 | SCREW,M6X1,PAN WSHR HD,T30 TORX | 1 | | | |
| 13 | 649481 | CLAMP,HOSE,013, 8-16MM | 1 | | | |

2018 STAMPEDE 4 BLACK [U2018SUW1SUSP] - GEAR SHIFTING ASSEMBLY [302452]



| Ref # | Part # | Description | Qty | Context | Note | ACE Cost | ACE MSRP |
|-------|-------------|-------------------------------------|-----|---------|------|----------|----------|
| 1 | 637993 | HANDLE,SHIFTER,PRNLH | 1 | | | | |
| 2 | 662788G0390 | SHIFTER | 1 | | | | |
| 3 | 657155G02 | CABLE,SHIFT MECHANISM,CREW | 1 | | | | |
| 6 | 643207 | SHIFTER BOOT | 1 | | | | |
| 7 | 600525 | NUT PLS LK M10-1.5 | 1 | | | | |
| 8 | 643494 | NUT,M8X1 RH,HEX JAM | 1 | | | | |
| 11 | 644182 | BOLT,SHOULDER,12X80,M10-1.50 | 1 | | | | |
| 12 | 644558 | BEARING,FLANGE,1214,12 | 2 | | | | |
| 13 | 645340 | CABLE TIE, FIR TREE | 1 | | | | |
| 14 | 646441 | CABLE TIE, EDGE CLIP, 90 DEGREES | 2 | | | | |
| 17 | 648378 | NUT, 1/4-28, HEX, CENTER LOCK | 2 | | | | |
| 18 | 73745G01 | BALL STUD .250 X 1/4-28 | 2 | | | | |
| 19 | 654394 | COUPLER,BALL JOINT | 2 | | | | |

2018 STAMPEDE 4 BLACK [U2018SUW1SUSP] - HEADLIGHTS [302459]

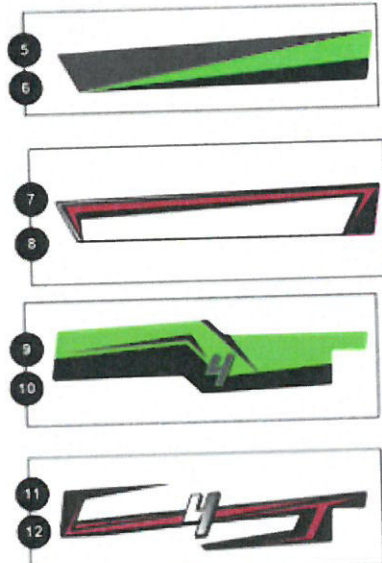
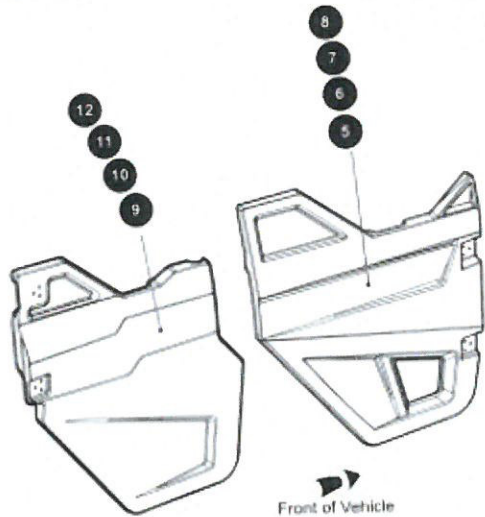
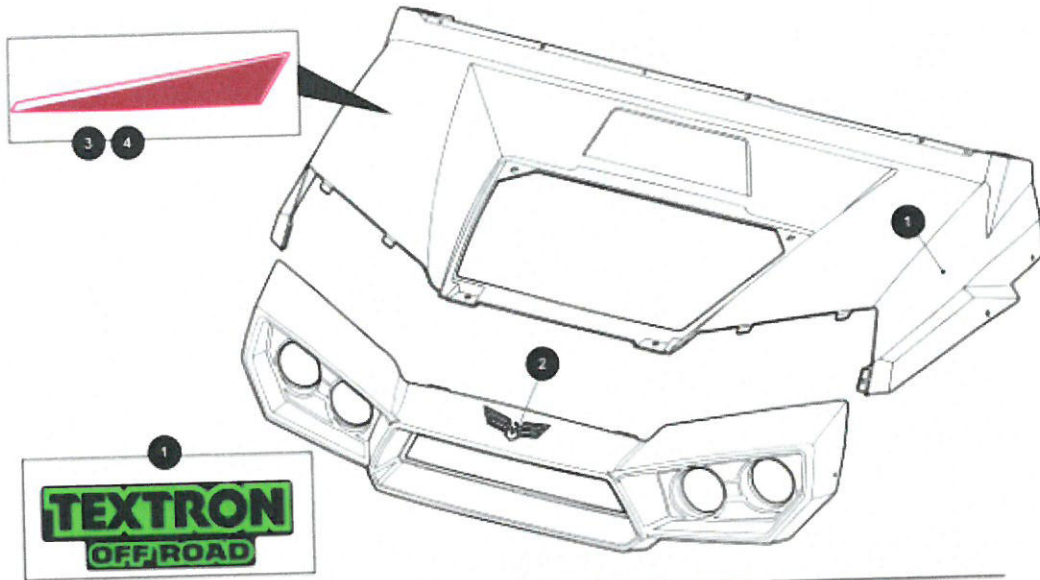


Front of Vehicle

Page design © 2014 2017 by AR Network Services, LLC

| Ref # | Part # | Description | Qty | Context | Note | ACE | Cost | ACE | MS |
|-------|-----------|--|-----|---------|------|-----|------|-----|----|
| 1 | 650932 | SVC-HEADLIGHT,90MM,HIGH,H9,SAE | 1 | | | | | | |
| 2 | 650934 | SVC-HEADLIGHT,90MM,LOW,H9,SAE | 1 | | | | | | |
| 3 | 654324 | SVC-BULB,HALOGEN,H9 | 1 | | | | | | |
| 8 | 643300G01 | BRKT,HEADLIGHT,DUAL 90MM,LH | 1 | | | | | | |
| 9 | 643300G02 | BRKT,HEADLIGHT,DUAL 90MM,RH | 1 | | | | | | |
| 12 | 646047 | SCREW, M6X2.14X20, PLASTITE, T30 | 4 | | | | | | |
| 18 | 647304 | BRKT,HEADLIGHT,HALOGEN,RIVETED | 2 | | | | | | |
| 19 | 647586 | RIVET, 1/8, DOMED, BLIND | 6 | | | | | | |
| 20 | 644969 | SCREW,M6X1X20,PAN WSHR HD,SLF TAP,T30 | 2 | | | | | | |
| 23 | 655275G01 | COVER,HEADLIGHT,LH | 1 | | | | | | |
| 24 | 655275G02 | COVER,HEADLIGHT,RH | 1 | | | | | | |
| 25 | 667790 | REMOVABLE RIVET, 8.13MM DIA X 21MM LG | 6 | | | | | | |

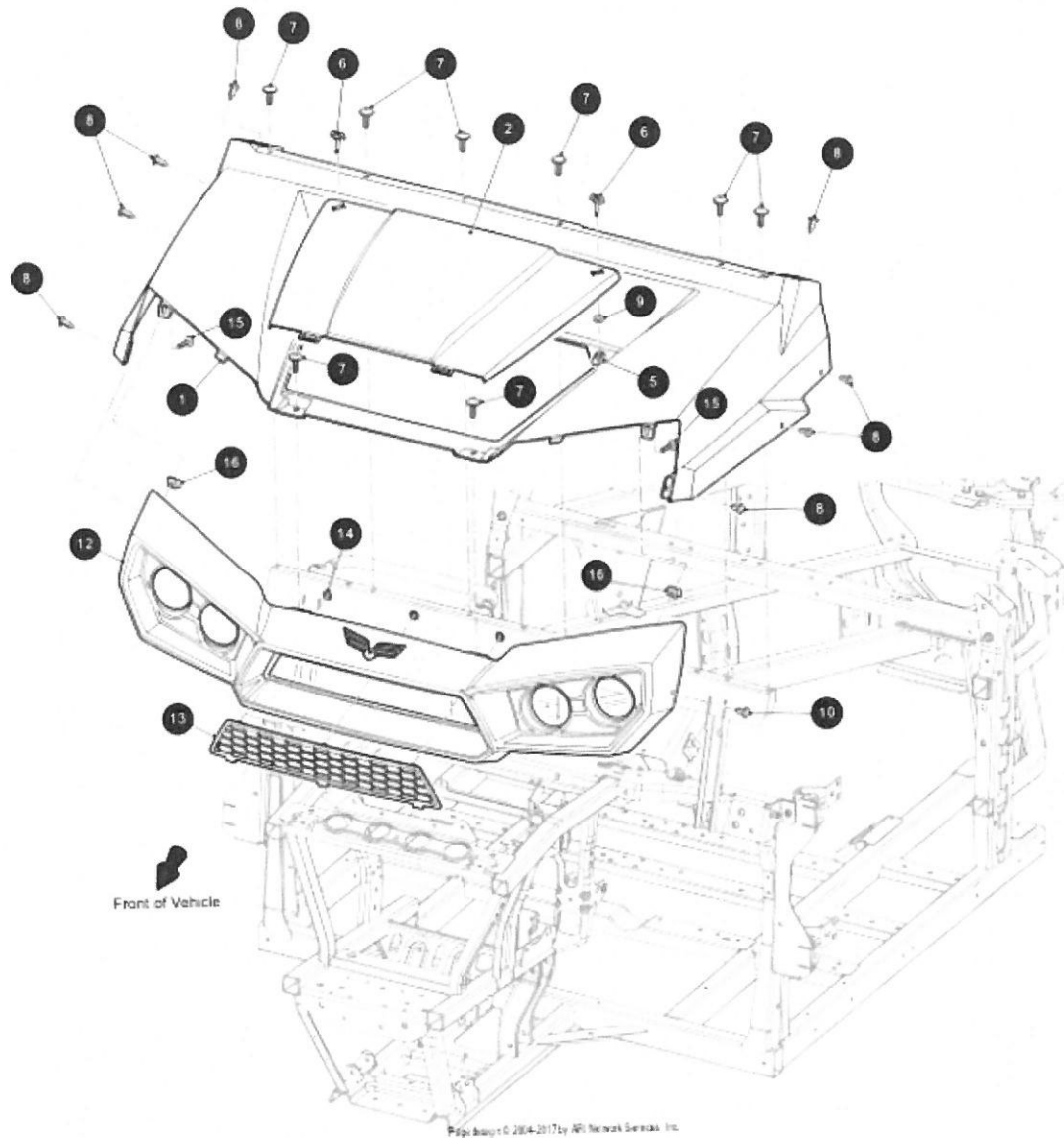
2018 STAMPEDE 4 BLACK [U2018SUW1SUSP] - HOOD/DOOR DECALS [302479]



Page Design ©2014-2017 by ARS Network Services, Inc.

| Ref # | Part # | Description | Qty | Context | Note | ACE Cost | ACE MSRP |
|-------|-------------|--|-----|---------|------|----------|----------|
| 1 | 668014G1XXX | TEXTRON OFF ROAD COWL DECAL (DRIVER SIDE) | 2 | | | | |
| 2 | 650008 | BADGE, BAD BOY LOGO | 1 | | | | |
| 3 | 667080G1XXX | COWL DECAL TOP (DRIVER SIDE) | 1 | | | | |
| 4 | 667080G2XXX | COWL DECAL TOP (PASSENGER SIDE) | 1 | | | | |
| 5 | 668016G1XXX | DOOR DECAL (DRIVER SIDE) | 1 | | | | |
| 6 | 668016G2XXX | DOOR DECAL (PASSENGER SIDE) | 1 | | | | |
| 7 | 667100G1XXX | DOOR DECAL (DRIVER SIDE) | 1 | | | | |
| 8 | 667100G2XXX | DOOR DECAL (PASSENGER SIDE) | 1 | | | | |
| 9 | 668021G1XXX | Needs Description | 1 | | | | |
| 10 | 668021G2XXX | Needs Description | 1 | | | | |
| 11 | 667201G1XXX | Needs Description | 1 | | | | |
| 12 | 667201G2XXX | Needs Description | 1 | | | | |

2018 STAMPEDE 4 BLACK [U2018SUW1SUSP] - HOOD/GRILLE [302442]



| Ref # | Part # | Description | Qty | Context Note | ACE Cost | ACE MSRP |
|-------|-------------|--|-----|--|----------|----------|
| 1 | 663088G00XX | COWL | 1 | (See Color Code In How To Use Section) | | |
| 2 | 641259G00XX | COWL ACCESS PANEL | 1 | (See Color Code In How To Use Section) | | |
| 5 | 654333 | BASE,RETAINER,QTR TURN | 2 | | | |
| 6 | 653127 | FASTENER,QUARTER TURN, 17.78 | 2 | | | |
| 7 | 644969 | SCREW,M6X1X20,PAN WSHR HD,SLF TAP,T30 | 8 | | | |
| 8 | 667790 | REMOVABLE RIVET, 8.13MM DIA X 21MM LG | 8 | | | |
| 9 | 618255 | RETAINER RING | 2 | | | |
| 10 | 667790 | REMOVABLE RIVET, 8.13MM DIA X 21MM LG | 2 | | | |
| 12 | 663105 | FRONT FASCIA | 1 | | | |
| 13 | 641408 | GRILLE,INSERT | 1 | | | |
| 14 | 71597G01 | SELF THREADING NUT 5x10x15mm | 3 | | | |
| 15 | 645323 | SCREW,M6X1,PAN WSHR HD,T30 TORX | 2 | | | |
| 16 | 602409 | CLIP BARREL M6-1 | 2 | | | |

2018 STAMPEDE 4 BLACK [U2018SUW1SUSP] - HOOD/STEERING DECALS [302480]

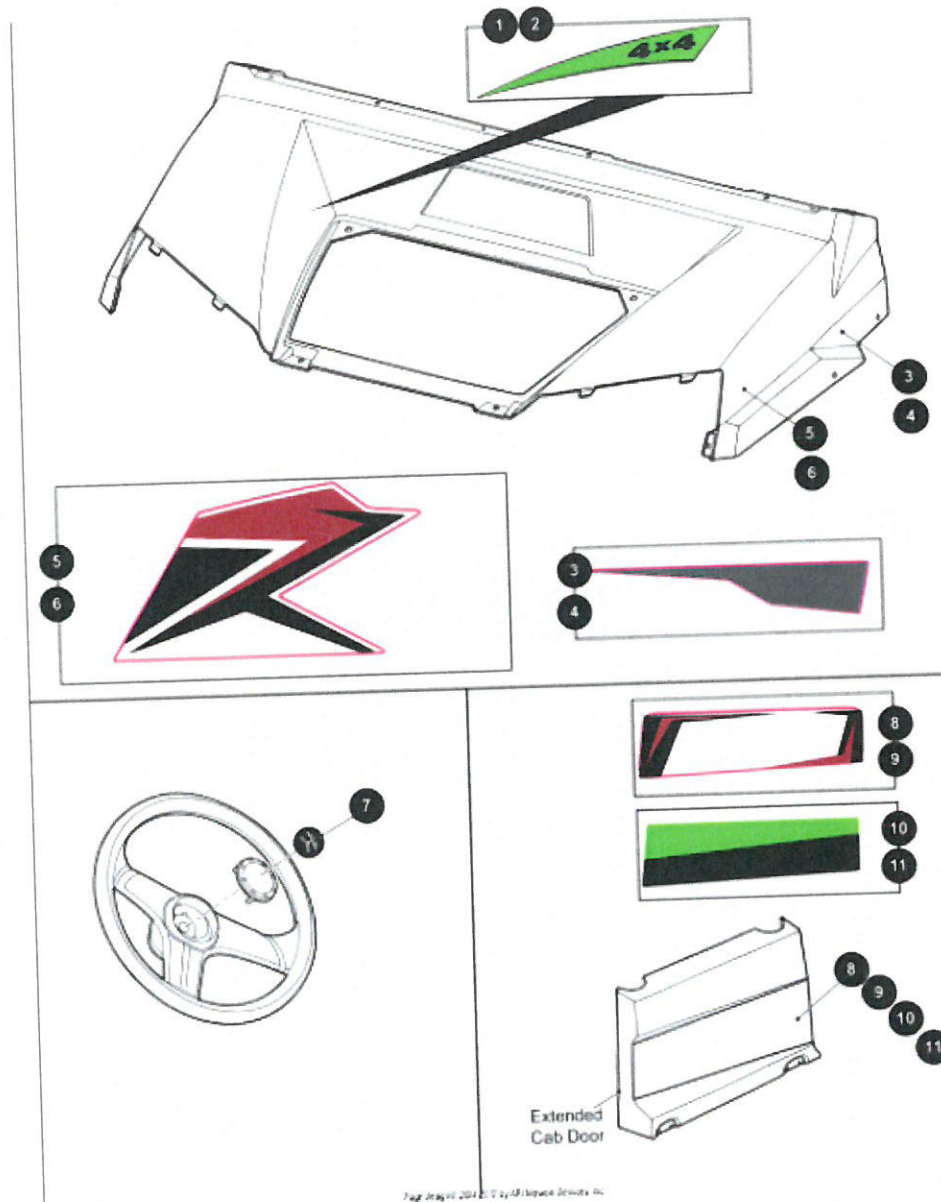
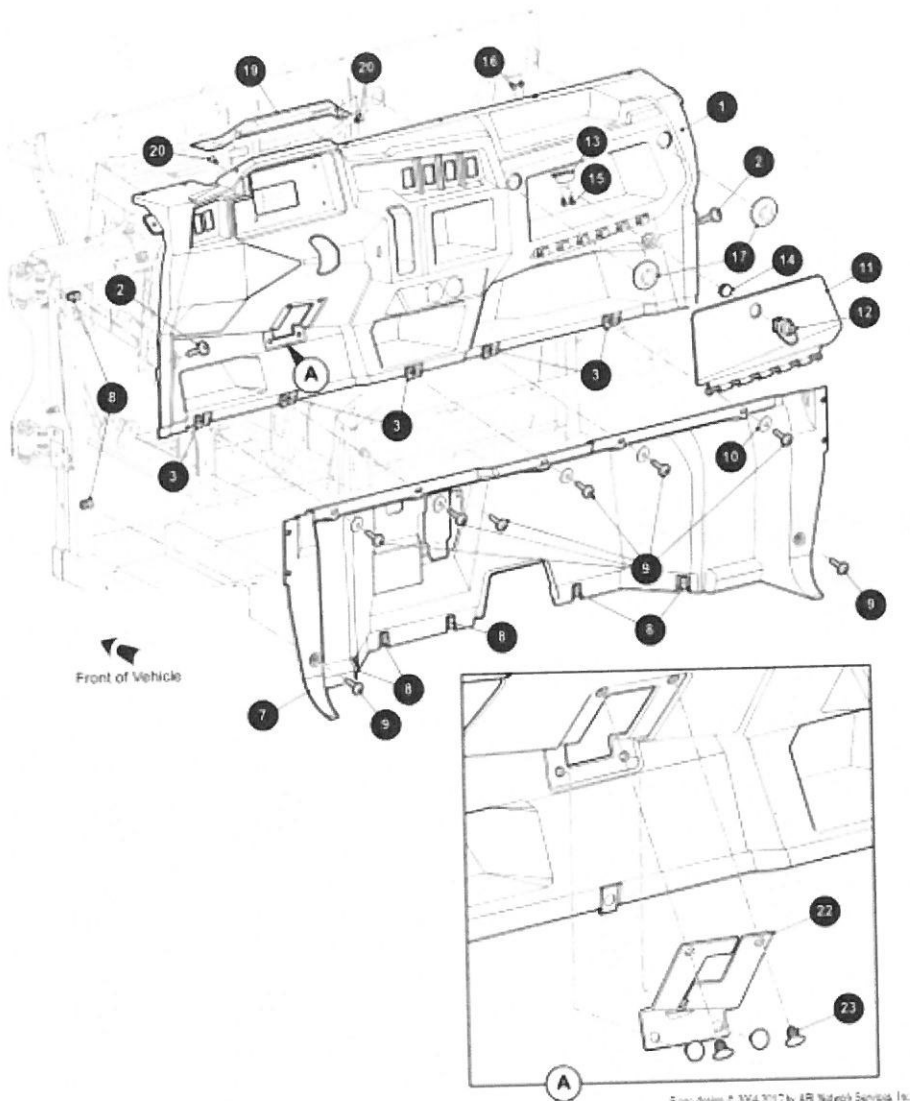


Fig. 302480 2018 © 2018 Arctic Cat Inc.

| Ref # | Part # | Description | Qty | Context | Note | ACE Cost | ACE MSRP |
|-------|-------------|--|-----|---------|------|----------|----------|
| 1 | 668013G1XXX | INNER COWL DECAL (DRIVER SIDE) | 1 | | | | |
| 2 | 668013G2XXX | INNER COWL DECAL (PASSENGER SIDE) | 1 | | | | |
| 3 | 668015G01 | OUTER COWL DECAL(DRIVER SIDE) | 1 | | | | |
| 4 | 668015G02 | OUTER COWL DECAL (PASSENGER SIDE) | 1 | | | | |
| 5 | 667101G1XXX | COWL SIDE DECAL (DRIVER SIDE) | 1 | | | | |
| 6 | 667101G2XXX | COWL SIDE DECAL (PASSENGER SIDE) | 1 | | | | |
| 7 | 663498 | DECAL,STEERING WHEEL | 1 | | | | |
| 8 | 668017G1XXX | EXTENDED CAB DOOR DECAL (DRIVER SIDE) | 1 | | | | |
| 9 | 668017G2XXX | EXTENDED CAB DOOR DECAL (PASSENGER SIDE) | 1 | | | | |
| 10 | 667099G1XXX | EXTENDED CAB DOOR DECAL (DRIVER SIDE) | 1 | | | | |
| 11 | 667099G2XXX | EXTENDED CAB DOOR DECAL (PASSENGER SIDE) | 1 | | | | |

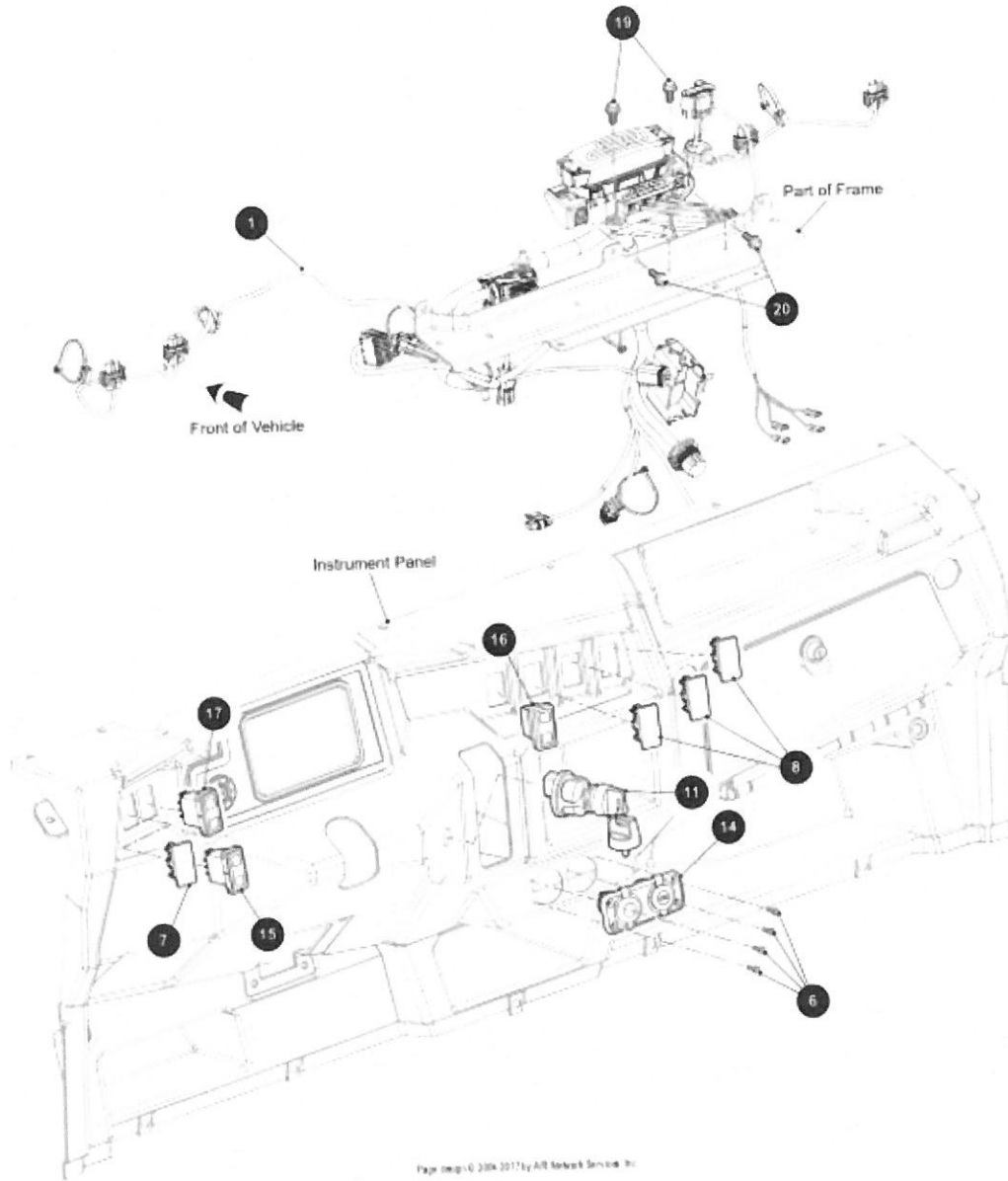
2018 STAMPEDE 4 BLACK [U2018SUW1SUSP] - INSTRUMENT PANEL [302392]



Page design © 2014-2017 by ARl Network Services, Inc.

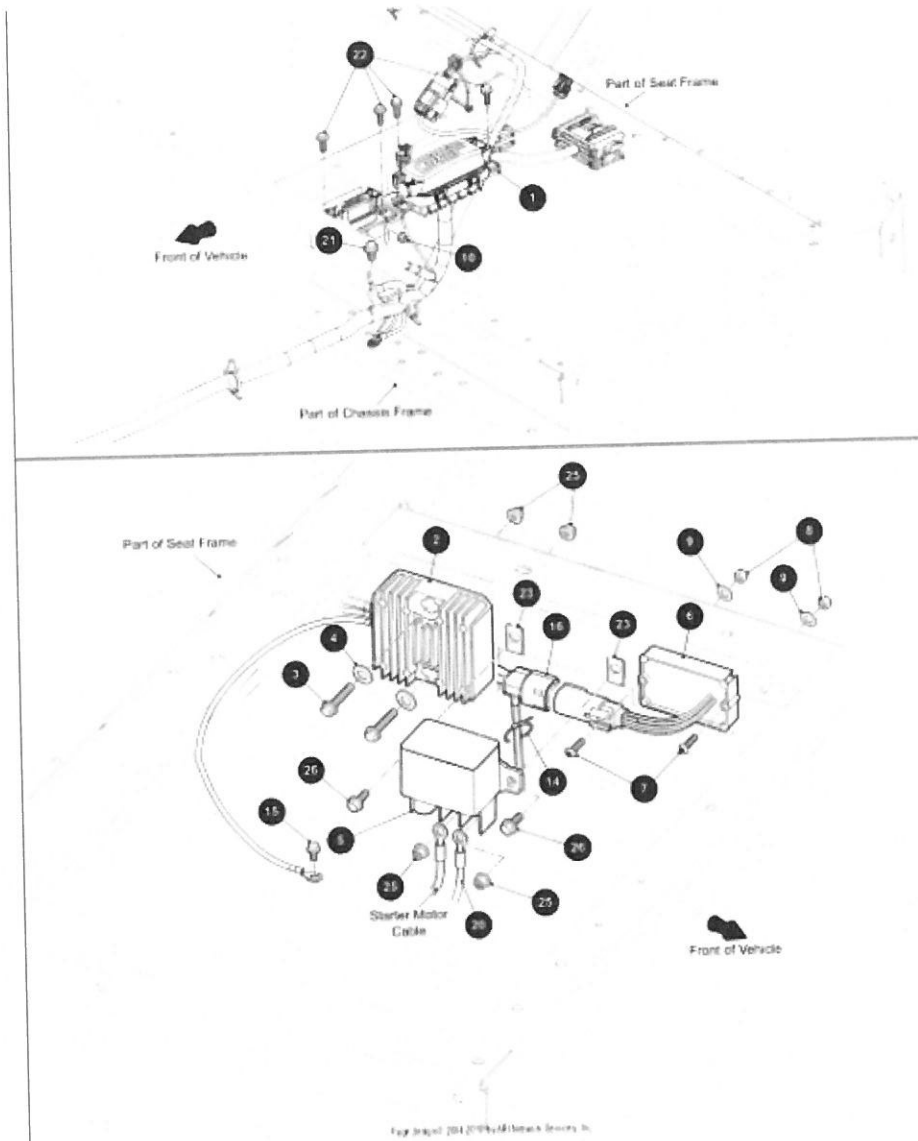
| Ref # | Part # | Description | Qty | Context | Note | ACE Cost | ACE MSRP |
|-------|-----------|---------------------------------------|-----|---------|------|----------|----------|
| 1 | 641398G01 | PANEL,INSTRUMENT,UPPER,W/O CHARGER | 1 | | | | |
| 2 | 645323 | SCREW,M6X1,PAN WSHR HD,T30 TORX | 2 | | | | |
| 3 | 602409 | CLIP BARREL M6-1 | 5 | | | | |
| 7 | 641393 | FRONT BULKHEAD | 1 | | | | |
| 8 | 602409 | CLIP BARREL M6-1 | 10 | | | | |
| 9 | 645323 | SCREW,M6X1,PAN WSHR HD,T30 TORX | 8 | | | | |
| 10 | 608747 | WASHER, FLAT M6 X 1.5 | 5 | | | | |
| 11 | 651762 | DOOR, GLOVEBOX-ASSY | 1 | | | | |
| 12 | 00525G5 | NUT-HEX-M-CP-#6-32 | 2 | | | | |
| 13 | 00645G5 | SC-M-PP-ZP (#6-32 X 5/8) * | 2 | | | | |
| 14 | 612516 | LOCK ASSY, TRUNKLID | 1 | | | | |
| 15 | - | Plate | 1 | | | | |
| 16 | - | Nut | 1 | | | | |
| 17 | 648556 | CLOSEOUT, GRAB BAR | 2 | | | | |
| 19 | 643939 | IP,HOOD | 1 | | | | |
| 20 | 16816G1 | RIVET,RATCHET, .25X.680 | 2 | | | | |
| 22 | 646121 | IP CLOSEOUT, STEERING BRACKET | 1 | | | | |
| 23 | 16816G1 | RIVET,RATCHET, .25X.680 | 4 | | | | |

2018 STAMPEDE 4 BLACK [U2018SUW1SUSP] - MAIN HARNESS FRONT [302461]



| Ref # | Part # | Description | Qty | Context | Note | ACE | Cost | ACE | MSRP |
|-------|----------|---------------------------------------|-----|---------|------|-----|------|-----|------|
| 1 | 656555 | HARNESS,UTV,MAIN,FRONT | 1 | | | | | | |
| 6 | 71425G01 | SCREW-TAPPING-#8-18-.75 | 4 | | | | | | |
| 8 | 627035 | PLUG,PANEL,CARLING SWITCH | 3 | | | | | | |
| 11 | 640923 | KEYSWITCH W/INDV KEY | 1 | | | | | | |
| 14 | 654608 | PORT,USB W/ 12V,12V INPUT | 1 | | | | | | |
| 15 | 644522 | SWITCH,2POS,SPDT,DIFF LOCK,ILLUM | 1 | | | | | | |
| 16 | 638267 | SWITCH,3POS,DPDT,HI LOW BEAM,ILLUM | 1 | | | | | | |
| 17 | 644523 | SWITCH,2POS,SPDT,4WD,ILLUM | 1 | | | | | | |
| 19 | 452695 | SCRW, M6-1.00 X 20 TAPTITE | 2 | | | | | | |
| 20 | 606264 | BOLT, HXFL, M6-1 X 20 | 2 | | | | | | |

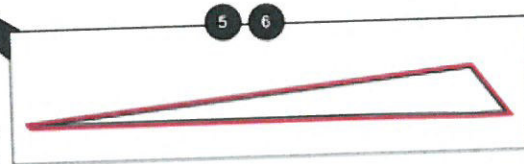
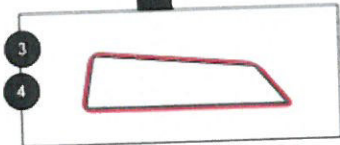
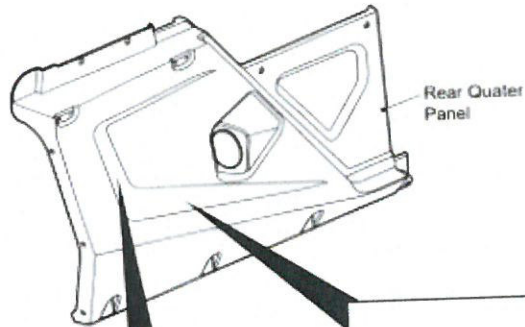
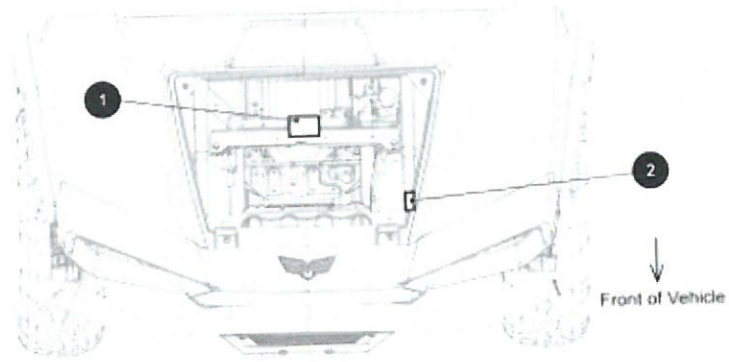
2018 STAMPEDE 4 BLACK [U2018SUW1SUSP] - MAIN HARNESS REAR [302462]



Arctic Cat Electronic Parts Catalogs

| Ref # | Part # | Description | Qty | Context | Note | ACE | Cost | ACE | MSRP |
|-------|----------|--|-----|---------|------|-----|------|-----|------|
| 1 | 659446 | HARNESS,XTR,MAIN,REAR | 1 | | | | | | |
| 2 | 407227 | VOLTAGE REGULATOR / V002 | 1 | | | | | | |
| 3 | 643471 | BOLT,HXFL,M6-1X35 | 2 | | | | | | |
| 4 | 308090 | WSHR, FLAT .25 .62 .05 YS | 2 | | | | | | |
| 5 | 405225 | HIGH CURRENT RELAY / TYCO 1416010-1 | 1 | | | | | | |
| 6 | 639456 | SOL CONTROLLER,PWM,REAR DIFF | 1 | | | | | | |
| 7 | 00379G2 | SCREW-MACHINE PAN HEAD- PHILLIPS | 2 | | | | | | |
| 8 | 14390G10 | NUT-LK PLAS INS 10-24 UNC-2B | 2 | | | | | | |
| 9 | 00559G5 | WASHER, FLAT TYPE A | 2 | | | | | | |
| 10 | 601476 | LOCK NUT M6-1 | 1 | | | | | | |
| 13 | 646441 | CABLE TIE, EDGE CLIP, 90 DEGREES | 1 | | | | | | |
| 14 | 31539G1 | CLAMP-NYLON-15.5 | 5 | | | | | | |
| 15 | 452695 | SCRW, M6-1.00 X 20 TAPTITE | 1 | | | | | | |
| 16 | 657215 | HARNESS,UTV,ELEC REAR DIFF | 1 | | | | | | |
| 20 | 641523 | CABLE,6 AWG,333 MM,RLY,FUSE | 1 | | | | | | |
| 21 | 640723 | SCREW,SELF TAPPING,M8X1.25X20 | 1 | | | | | | |
| 22 | 606264 | BOLT, HXFL, M6-1 X 20 | 4 | | | | | | |
| 23 | 602409 | CLIP BARREL M6-1 | 2 | | | | | | |
| 25 | 601476 | LOCK NUT M6-1 | 4 | | | | | | |
| 26 | 606264 | BOLT, HXFL, M6-1 X 20 | 2 | | | | | | |

2018 STAMPEDE 4 BLACK [U2018SUW1SUSP] - MAINTENANCE LABEL [302441]



| Ref # | Part # | Description | Qty | Context | Note | ACE | Cost | ACE | MSRP |
|-------|-------------|--------------------|-----|---------|------|-----|------|-----|------|
| 1 | 643605 | LABEL, MAINTENANCE | 1 | | | | | | |
| 2 | 608823 | DECAL,HOT,CE | 3 | | | | | | |
| 3 | 667092G1XXX | Needs Description | 1 | | | | | | |
| 4 | 667092G2XXX | Needs Description | 1 | | | | | | |
| 5 | 667093G1XXX | Needs Description | 1 | | | | | | |
| 6 | 667093G2XXX | Needs Description | 1 | | | | | | |

2018 STAMPEDE 4 BLACK [U2018SUW1SUSP] - MUFFLER [302463]

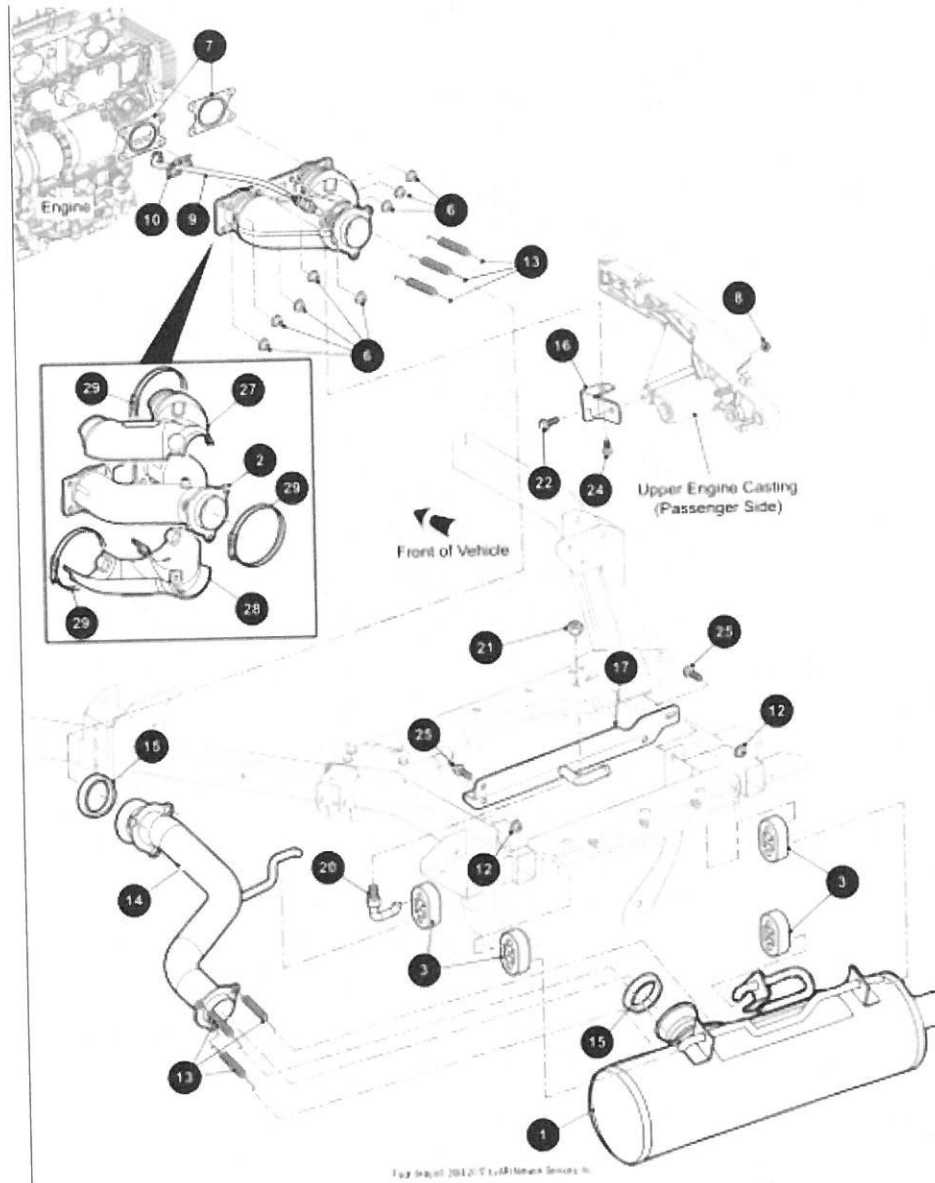
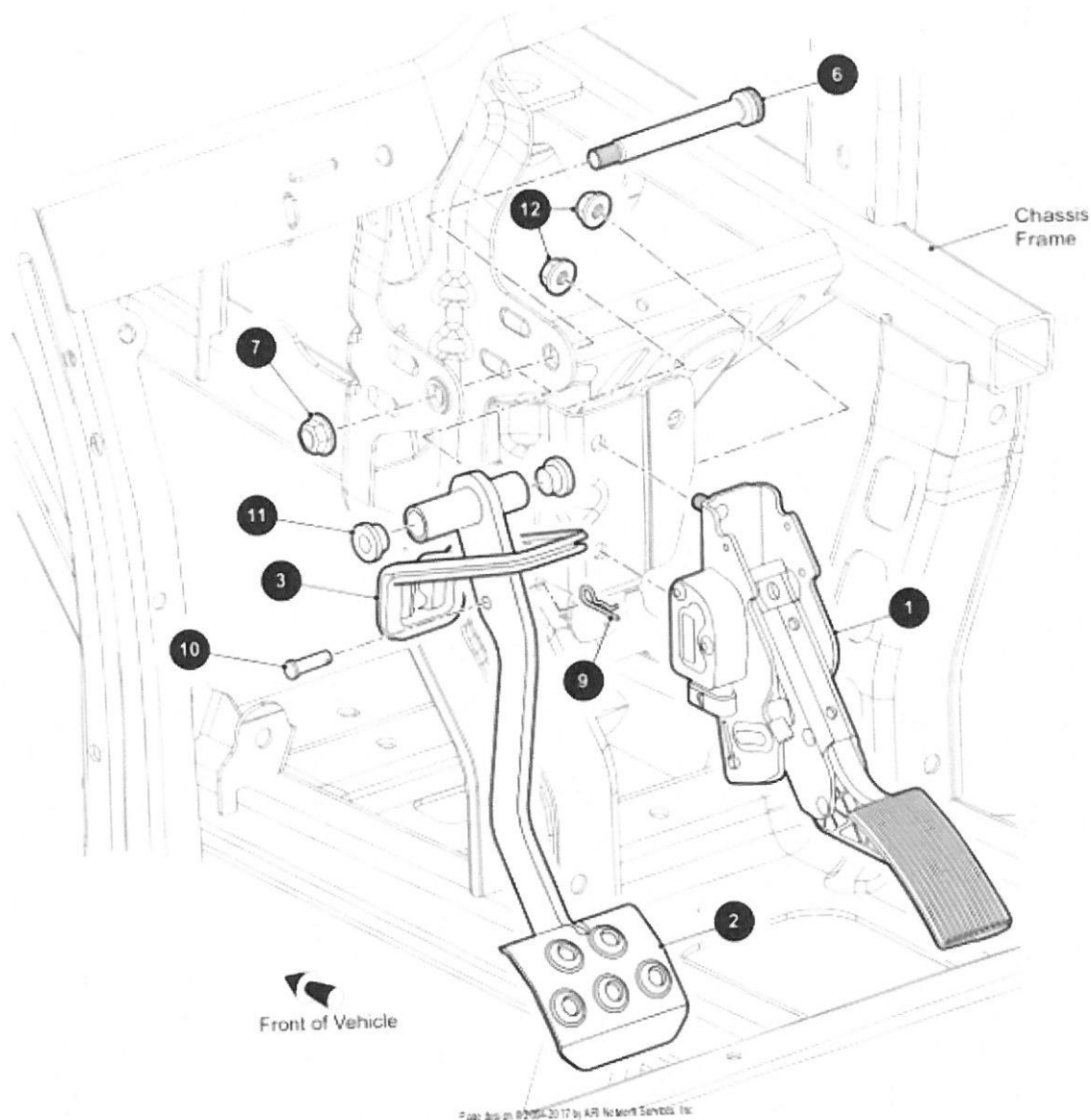


Fig. 30463 2012 © 2011 Arctic Cat Inc.

| Ref # | Part # | Description | Qty | Context | Note | ACE Cost | ACE MSRP |
|-------|----------|---------------------------------------|-----|---------|------|----------|----------|
| 1 | 657638 | MUFFLER,STAMPEDE | 1 | | | | |
| 2 | 649120 | HEADER PIPE,ACTIVE_EXHAUST | 1 | | | | |
| 3 | 652412 | ISOLATOR, EXHAUST | 4 | | | | |
| 6 | 100737 | NUT M8 FLANGE COPPER COATED WO12MM | 8 | | | | |
| 7 | 101446 | GASKET EXHAUST SERIES 1.4310 | 2 | | | | |
| 8 | 26830G01 | NUT, SELF LOCK M8 X 1.25 | 1 | | | | |
| 9 | 406241 | SENSOR LAMBDA NTK ZFAS | 1 | | | | |
| 10 | 17618G1 | CLAMP - NYLON | 1 | | | | |
| 12 | 645956 | NUT,HXFL,PLS,LK,M8X1.25 | 2 | | | | |
| 13 | 649713 | SPRING, EXHAUST | 6 | | | | |
| 14 | 649715 | INTERMEDIATE PIPE,ACTIVE_EXHAUST | 1 | | | | |
| 15 | 649733 | GASKET, EXHAUST | 2 | | | | |
| 16 | 650340 | SUPPORT,HEADER,EXHAUST | 1 | | | | |
| 17 | 658229 | MUFFLER SUPPORT BRACKET | 1 | | | | |
| 20 | 650862 | HANGER,BOLT AND NUT,EXHAUST | 1 | | | | |
| 21 | 14390G6 | NUT-LOCK-1/2-13-NYLON INSERT | 1 | | | | |
| 22 | 602330 | BOLT HXFL M8-1.25X30 | 1 | | | | |
| 24 | 651085 | BOLT,HEX,FLANGED,M8X1.25X10MM | 1 | | | | |
| 25 | 606261 | BOLT, HXFL,M8-1.25 X 20 | 2 | | | | |
| 27 | 654380 | MANIFOLD, HEAT SHIELD, UPPER | 1 | | | | |
| 28 | 654381 | MANIFOLD, HEAT SHIELD, LOWER | 1 | | | | |
| 29 | 654557 | CLAMP, BANDIT, 2IN | 3 | | | | |

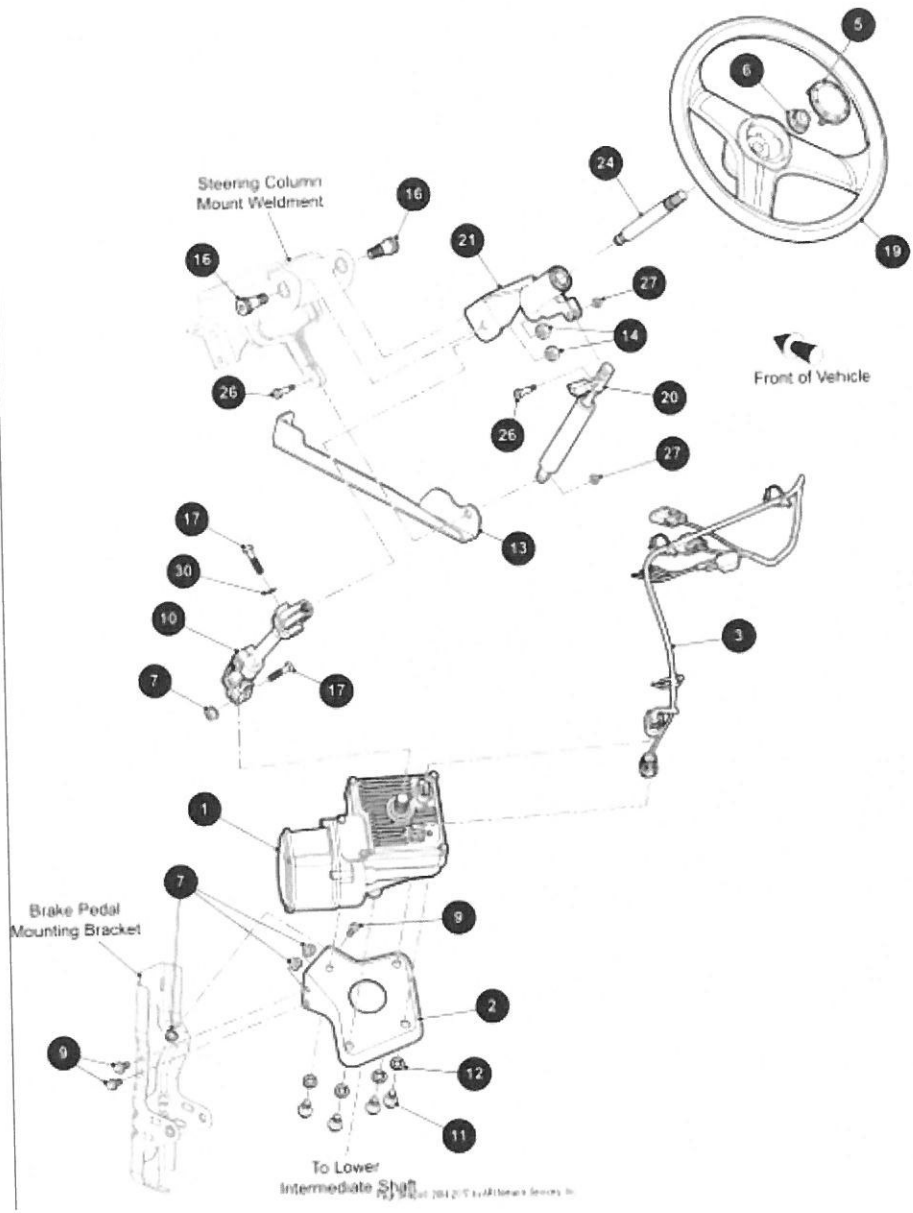
2018 STAMPEDE 4 BLACK [U2018SUW1SUSP] - PEDALS [302395]



Page description ©2018-2017 by Arctic Cat Services, Inc.

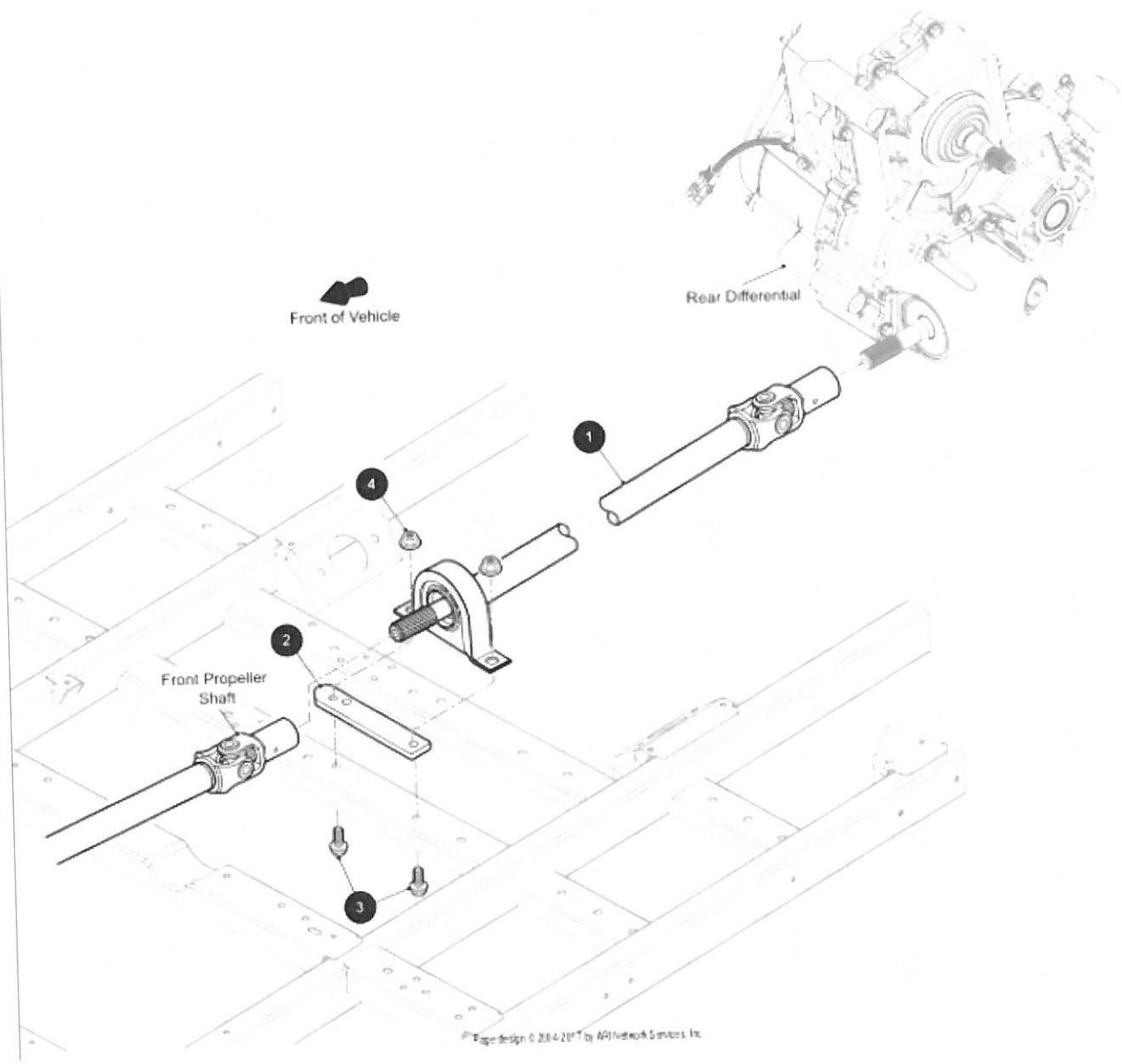
| Ref # | Part # | Description | Qty | Context | Note | ACE | Cost | ACE | MSRP |
|-------|----------|------------------------------|-----|---------|------|-----|------|-----|------|
| 1 | 641295 | ACCEL PEDAL,SINGLE SENSOR | 1 | | | | | | |
| 2 | 638227 | BRAKE PEDAL-WLD | 1 | | | | | | |
| 3 | 643207 | SHIFTER BOOT | 1 | | | | | | |
| 6 | 644182 | BOLT,SHOULDER,12X80,M10-1.50 | 1 | | | | | | |
| 7 | 600525 | NUT PLS LK M10-1.5 | 1 | | | | | | |
| 9 | 01076G01 | HAIR PIN COTTER* | 1 | | | | | | |
| 10 | 10386G2 | PIN-CLEVIS | 1 | | | | | | |
| 11 | 644558 | BEARING,FLANGE,1214,12 | 2 | | | | | | |
| 12 | 645956 | NUT,HXFL,PLS,LK,M8X1.25 | 2 | | | | | | |

2018 STAMPEDE 4 BLACK [U2018SUW1SUSP] - POWER STEERING [302422]



| Ref # | Part # | Description | Qty | Context | Note | ACE | Cost | ACE | MSRP |
|-------|---------|---|-----|---------|------|-----|------|-----|------|
| 1 | 663274 | SVC-EPAS,12V,FERRITE | 1 | | | | | | |
| 2 | 643649 | BRKT,ELECTRIC STRG MTG | 1 | | | | | | |
| 3 | 645173 | HARNESS,UTV,EPS UNIT | 1 | | | | | | |
| 5 | 639439 | COVER,STEERING WHEEL,VIPER | 1 | | | | | | |
| 6 | 601709 | NUT PLS LK M16-2 | 1 | | | | | | |
| 7 | 645956 | NUT,HXFL,PLS,LK,M8X1.25 | 4 | | | | | | |
| 9 | 606261 | BOLT, HXFL,M8-1.25 X 20 | 3 | | | | | | |
| 10 | 644978 | UPPER,INT,SHAFT | 1 | | | | | | |
| 11 | 606256 | BOLT, HXFL,M10-1.25X25 | 4 | | | | | | |
| 12 | 00566G2 | WASHER-LOCK-SPRING TYPE (3/8 TO | 4 | | | | | | |
| 13 | 654736 | BRACKET,STEERING STIFFENER- WLD | 1 | | | | | | |
| 14 | 00551G1 | NUT-LOCK-1/2-13-I-HEX-CP | 2 | | | | | | |
| 16 | 643928 | BOLT,SHLDR,.63 DIA X .75 LG X 1/2-13 THD | 2 | | | | | | |
| 17 | 625878 | SCREW,M8-1.25 X 35 MM | 2 | | | | | | |
| 19 | 639437 | WHEEL,STEERING,VIPER | 1 | | | | | | |
| 20 | 643923 | DAMPENER,STEERING,TILT | 1 | | | | | | |
| 21 | 633649 | COLUMN,STEERING-ASSY | 1 | | | | | | |
| 24 | 634517 | SHAFT,STEERING | 1 | | | | | | |
| 26 | 646035 | SCREW,SHOULDER,M6X1X31 | 2 | | | | | | |
| 27 | 601476 | LOCK NUT M6-1 | 2 | | | | | | |
| 30 | 606272 | WASHER, 8MM, SPLK | 1 | | | | | | |

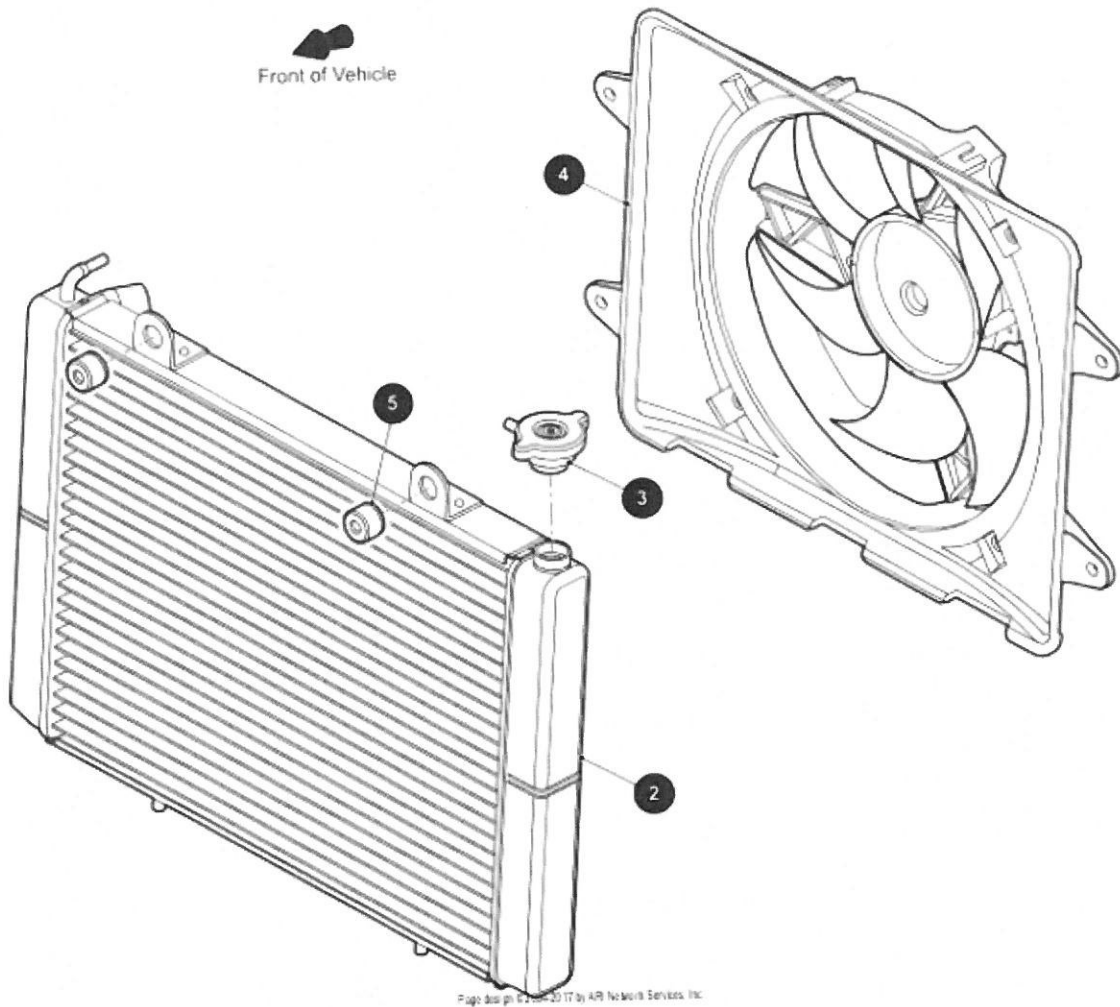
2018 STAMPEDE 4 BLACK [U2018SUW1SUSP] - PROPELLER SHAFT [302453]



| Ref # | Part # | Description | Qty | Context Note | ACE Cost | ACE MSRP |
|-------|--------|---------------------------------|-----|--------------|----------|----------|
| 1 | 649368 | SHAFT,PROPELLAR,REAR,LONG | 1 | | | |
| 2 | 658782 | Needs Description | 1 | | | |
| 3 | 648684 | BOLT,HXFL,M10 X 1.5 X 35,PC10.9 | 2 | | | |
| 4 | 648753 | NUT,FLHD,PLSLK,M10 X 1.5,PC8 | 2 | | | |

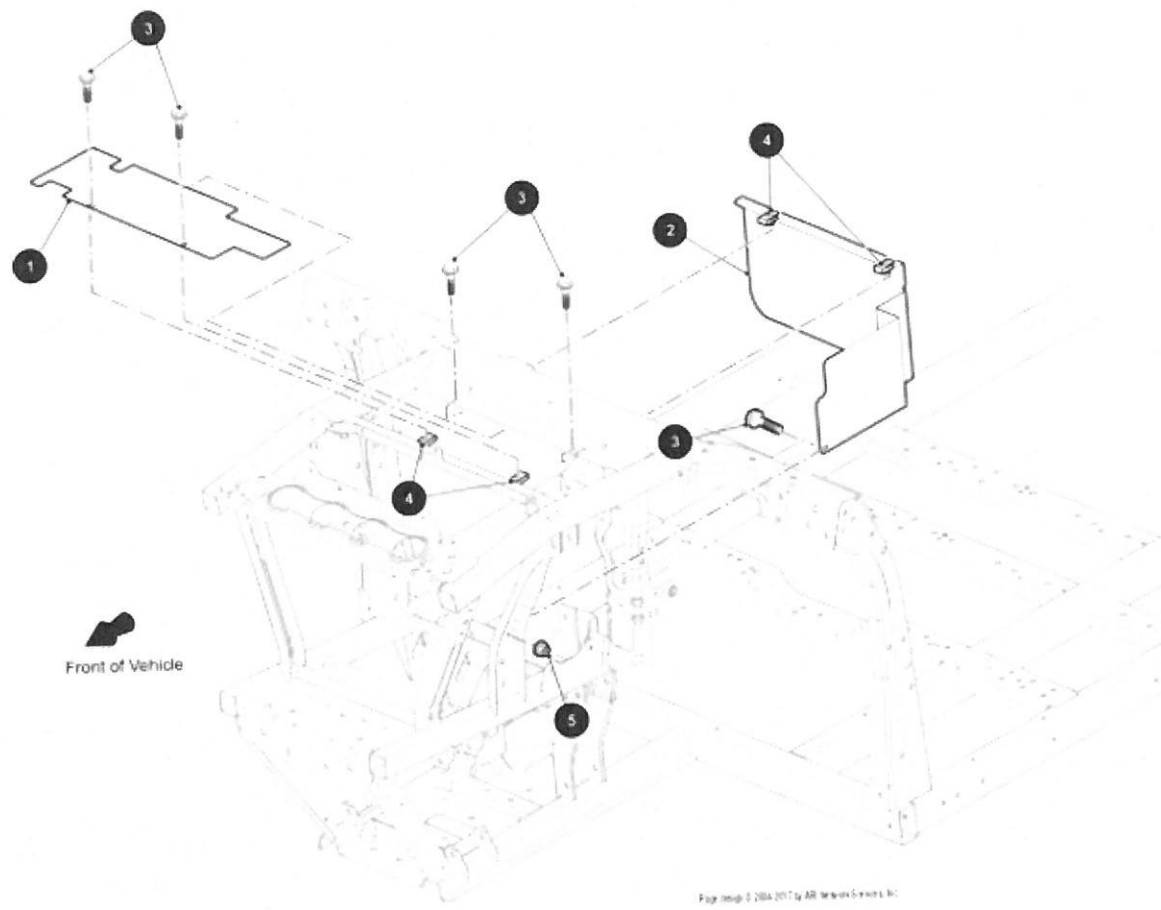
2018 STAMPEDE 4 BLACK [U2018SUW1SUSP] - RADIATOR [302404]

1 RADIATOR ASSEMBLY includes items 2 - 5



| Ref # | Part # | Description | Qty | Context | Note | ACE | Cost | ACE | MSRP |
|-------|--------|-----------------------------|-----|--------------|------|-----|------|-----|------|
| 1 | 654950 | RADIATOR ASSEMBLY | 1 | (inc. 2 - 5) | | | | | |
| 2 | 622322 | RADIATOR | 1 | | | | | | |
| 3 | 653685 | SVC-RADIATOR COVER ASSY | 1 | | | | | | |
| 4 | 653688 | SVC-ASM - RADIATOR FAN | 1 | | | | | | |
| 5 | 653686 | SVC-HEAT PROOF LAGGING ASSY | 2 | | | | | | |

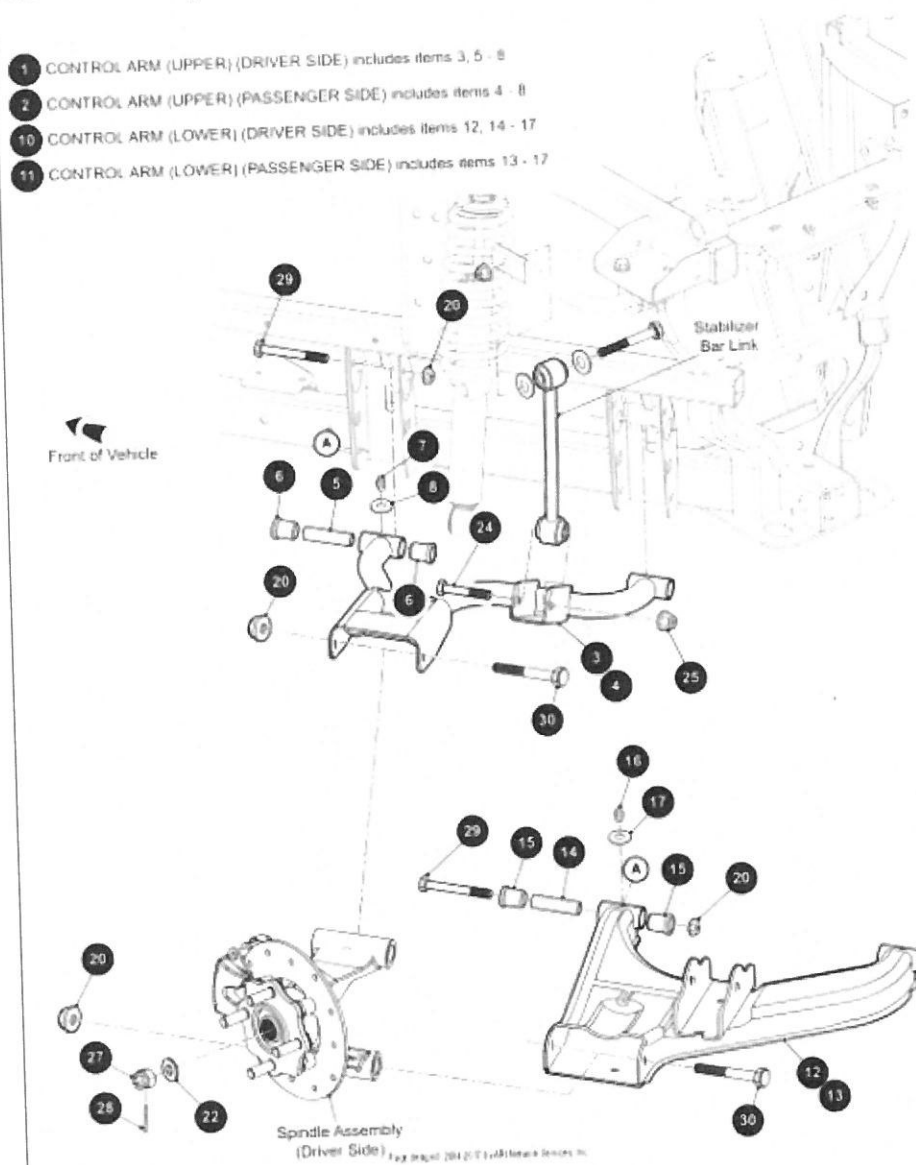
2018 STAMPEDE 4 BLACK [U2018SUW1SUSP] - RADIATOR HEAT SHIELDS [302458]



Page Image © 2018 Arctic Cat Inc.

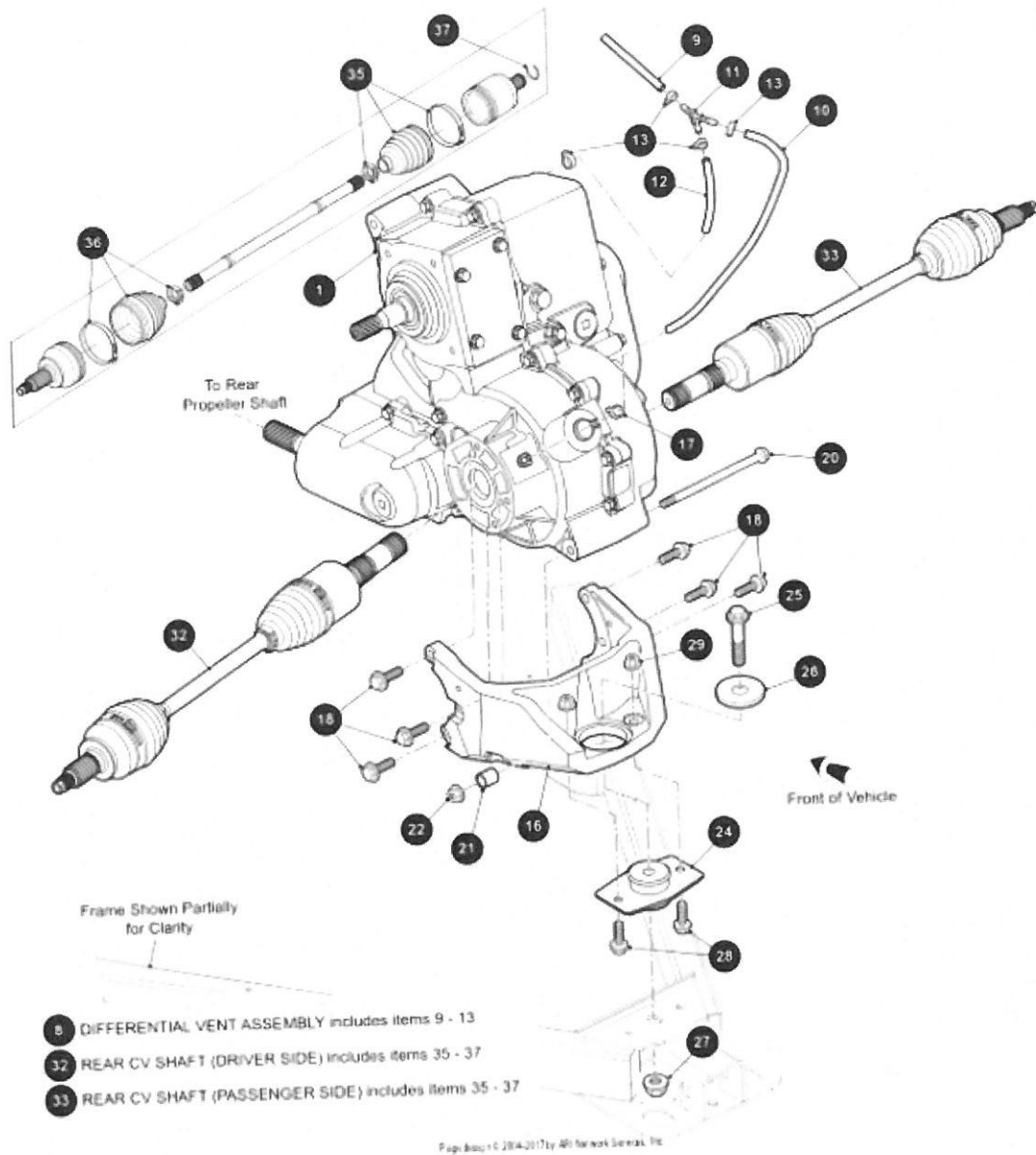
| Ref # | Part # | Description | Qty | Context | Note | ACE | Cost | ACE | MSRP |
|-------|--------|-------------------------|-----|---------|------|-----|------|-----|------|
| 1 | 663934 | RADIATOR CLOSEOUT,UPPER | 1 | | | | | | |
| 2 | 660015 | HEAT SHIELD,CAB,LOWER | 1 | | | | | | |
| 3 | 606264 | BOLT, HXFL, M6-1 X 20 | 5 | | | | | | |
| 4 | 602409 | CLIP BARREL M6-1 | 4 | | | | | | |
| 5 | 601476 | LOCK NUT M6-1 | 1 | | | | | | |

2018 STAMPEDE 4 BLACK [U2018SUW1SUSP] - REAR CONTROL ARM ASSEMBLY [302473]



| Ref # | Part # | Description | Qty | Context Note | ACE Cost | ACE MSRP |
|-------|------------|-------------------------------|-----|---------------------|----------|----------|
| 1 | 656599G01 | A-ARM,REAR,UPPER,LH,ASSY | 1 | (inc. 3 and 5-8) | | |
| 2 | 656599G02 | A-ARM,REAR,UPPER,RH,ASSY | 1 | (inc. 4-8) | | |
| 3 | 652006G01 | A-ARM,REAR,UPPER,LH-WLD | 1 | | | |
| 4 | 652006G02 | A-ARM,REAR,UPPER,RH-WLD | 1 | | | |
| 5 | 647322G01 | TUBE,10.54MM,ID,X60.95 LONG | 2 | | | |
| 6 | 647320 | BUSHING,FLANGED,15.875MM ID | 4 | | | |
| 7 | 654868G01 | ZERK,STRAIGHT,1/4-28 THDFMG | 2 | | | |
| 8 | 655130 | WASHER,FLAT,M6,PER DIN 125A | 2 | | | |
| 10 | 656598G01 | A-ARM,REAR,LOWER,LH,ASSY | 1 | (inc. 12 and 14-17) | | |
| 11 | 656598G02 | A-ARM,REAR,LOWER,RH,ASSY | 1 | (inc. 13-17) | | |
| 12 | 653386G103 | A-ARM,REAR,LWR,LH,POWDER COAT | 1 | | | |
| 13 | 653386G203 | A-ARM,REAR,LWR,RH,POWDER COAT | 1 | | | |
| 14 | 647322G01 | TUBE,10.54MM,ID,X60.95 LONG | 2 | | | |
| 15 | 647320 | BUSHING,FLANGED,15.875MM ID | 4 | | | |
| 16 | 654868G01 | ZERK,STRAIGHT,1/4-28 THDFMG | 2 | | | |
| 17 | 655130 | WASHER,FLAT,M6,PER DIN 125A | 2 | | | |
| 20 | 648753 | NUT,FLHD,PLSLK,M10 X 1.5,PC8 | 6 | | | |
| 22 | 653546 | WASHER,HARDENED,M18,DIN 125 | 1 | | | |
| 24 | 01066G05 | HHCS,M12 X 1.75 X 70MM | 1 | | | |
| 25 | 648198 | NUT, PLS, LK, M12-1.75 | 1 | | | |
| 27 | 653662 | NUT,CASTLE,M18X1.5MM,DIN935 | 1 | | | |
| 28 | 00798G8 | PIN-COTTER 5/32 X 1 3/4 | 1 | | | |
| 29 | 648282 | HHCS,M10X1.5X85MM | 4 | | | |
| 30 | 648283 | HHCS,M10X1.5X140MM | 2 | | | |

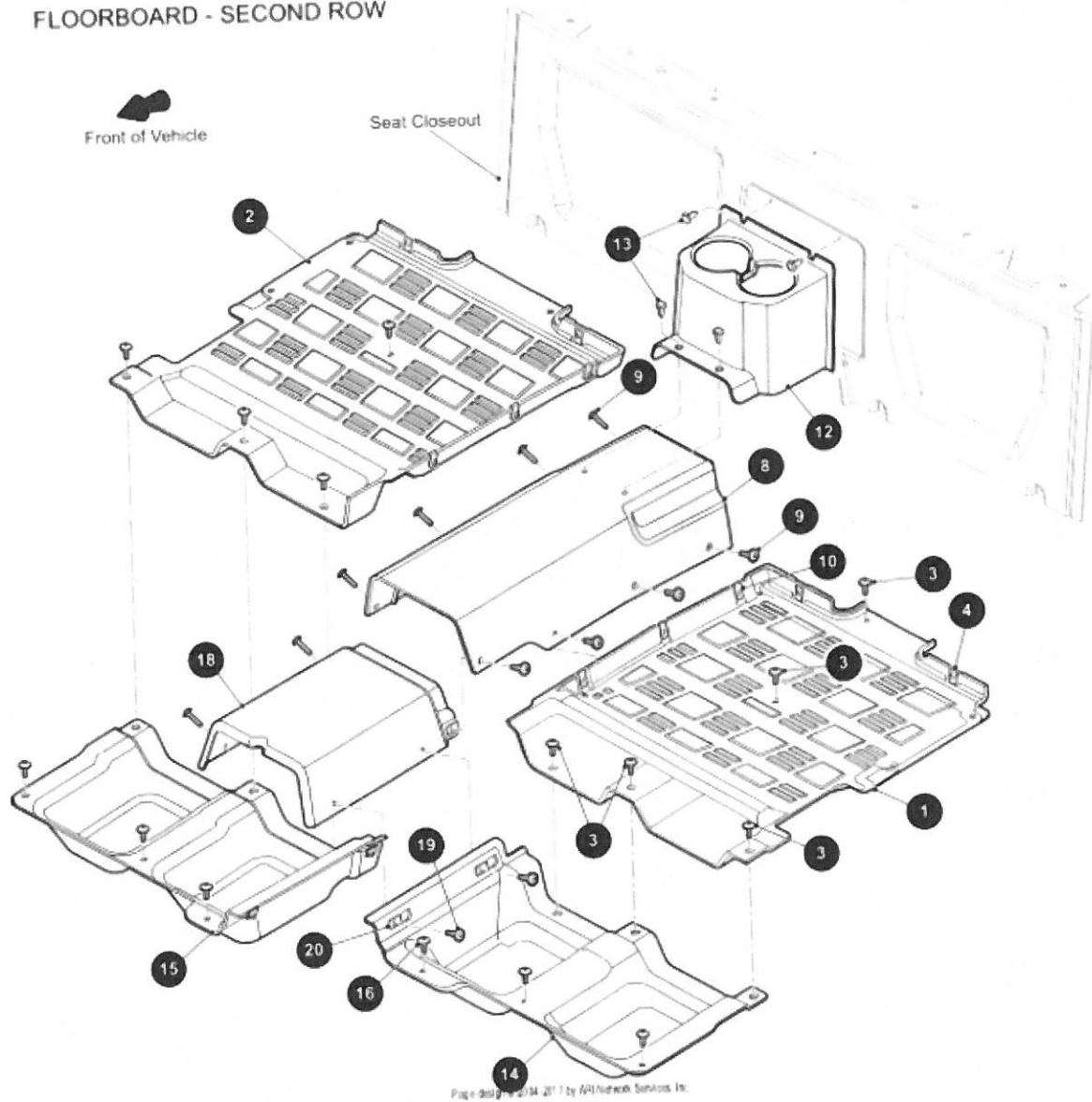
2018 STAMPEDE 4 BLACK [U2018SUW1SUSP] - REAR DRIVE GEARCASE/AXLES [302455]



| Ref # | Part # | Description | Qty | Context Note | ACE Cost | ACE MSRP |
|-------|-----------|------------------------------------|-----|--------------|----------|----------|
| 1 | 633701G16 | DIFF,REAR,4WD,12.54,E LOCKER | 1 | | | |
| - | 645340 | CABLE TIE, FIR TREE | 3 | | | |
| 8 | 643514 | DIFF,VENT ASSY | 1 | (inc. 9-13) | | |
| 9 | 642175 | VENT TUBE,6.35MM ID,TO AMBIENT | 1 | | | |
| 10 | 642173 | VENT TUBE, LOWER | 1 | | | |
| 11 | 642174 | ADAPTER,Y,VENT TUBE | 1 | | | |
| 12 | 642172 | VENT TUBE, UPPER | 1 | | | |
| 13 | 17618G1 | CLAMP - NYLON | 4 | | | |
| 16 | 649422 | CASTING,AXLE | 1 | | | |
| 17 | 17618G1 | CLAMP - NYLON | 1 | | | |
| 18 | 648684 | BOLT,HXFL,M10 X 1.5 X 35,PC10.9 | 6 | | | |
| 20 | 649129 | BOLT,HXFL,M10 X 1.5 X 150,PC10.9 | 1 | | | |
| 21 | 646314 | SPACER,SHOCK MTG | 1 | | | |
| 22 | 648753 | NUT,FLHD,PLSLK,M10 X 1.5,PC8 | 1 | | | |
| 24 | 645396 | ISOLATOR, CENTER-BONDED | 1 | | | |
| 25 | 648681 | BOLT, HXFL M12-1.75 X 70--CLS 10.9 | 1 | | | |
| 26 | 645622 | WASHER, 13.5 ID X 60.5 OD, 3.2 THK | 1 | | | |
| 27 | 648751 | NUT,FLHD,PLSLK,M12 X 1.75,PC10 | 1 | | | |
| 28 | 648684 | BOLT,HXFL,M10 X 1.5 X 35,PC10.9 | 2 | | | |
| 29 | 648753 | NUT,FLHD,PLSLK,M10 X 1.5,PC8 | 2 | | | |
| 32 | 651684 | CV,REAR,27&29 TOOTH | 1 | (inc. 35-37) | | |
| 33 | 651683 | CV,REAR,27 TOOTH | 1 | (inc. 35-37) | | |
| 35 | 654352 | SVC-KIT,BOOT,DOJ | 1 | | | |
| 36 | 656390 | SVC-KIT,BOOT,CV | 1 | | | |
| 37 | 654353 | SVC-CIRCLIP,REAR DOJ | 1 | | | |

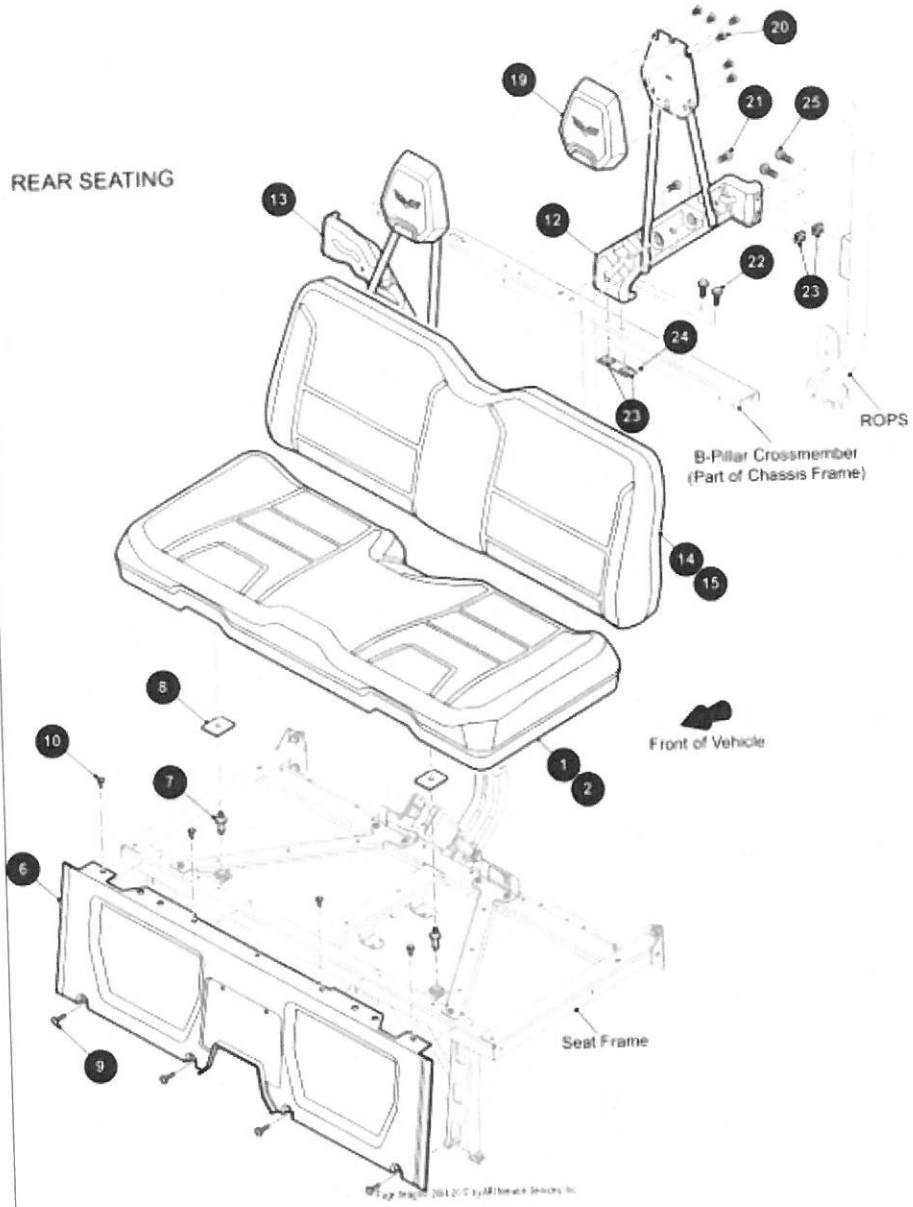
2018 STAMPEDE 4 BLACK [U2018SUW1SUSP] - REAR FLOORBOARD [302450]

FLOORBOARD - SECOND ROW



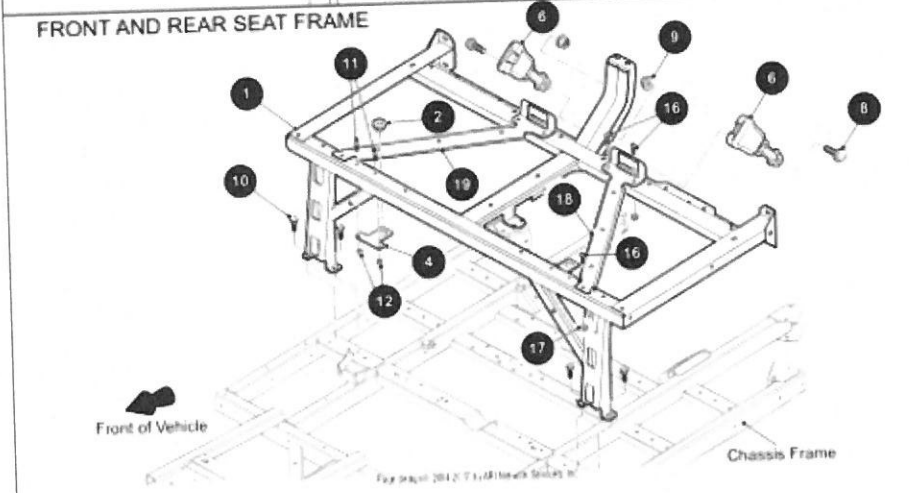
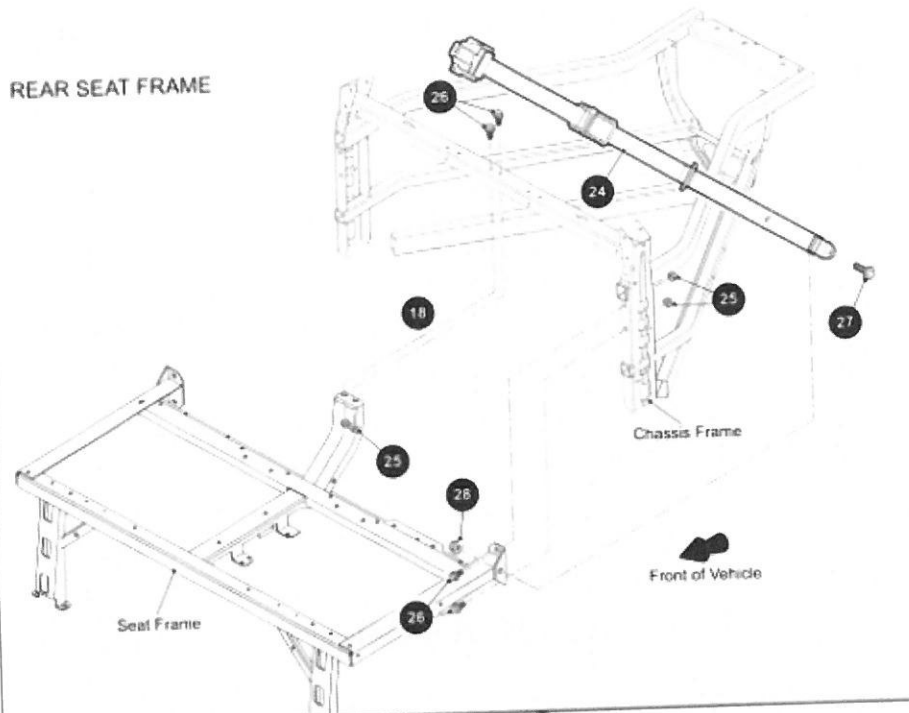
| Ref # | Part # | Description | Qty | Context | Note | ACE | Cost | ACE | MSRP |
|-------|--------|--|-----|---------|------|-----|------|-----|------|
| 1 | 654507 | FLOORBOARD, REAR - LH | 1 | | | | | | |
| 2 | 655102 | FLOORBOARD, REAR - RH | 1 | | | | | | |
| 3 | 644969 | SCREW,M6X1X20,PAN WSHR HD,SLF TAP,T30 | 5 | | | | | | |
| 4 | 602409 | CLIP BARREL M6-1 | 2 | | | | | | |
| 8 | 654582 | FLOORBOARD, CENTER CHANNEL | 1 | | | | | | |
| 9 | 645323 | SCREW,M6X1,PAN WSHR HD,T30 TORX | 8 | | | | | | |
| 10 | 602409 | CLIP BARREL M6-1 | 8 | | | | | | |
| 12 | 641662 | CUP HOLDER | 1 | | | | | | |
| 13 | 667790 | REMOVABLE RIVET, 8.13MM DIA X 21MM LG | 4 | | | | | | |
| 14 | 655020 | TRAY, UNDER SEAT STORAGE, LH | 1 | | | | | | |
| 15 | 655103 | TRAY, UNDER SEAT STORAGE, RH | 1 | | | | | | |
| 16 | 644969 | SCREW,M6X1X20,PAN WSHR HD,SLF TAP,T30 | 3 | | | | | | |
| 18 | 654469 | TUNNEL, UNDER SEAT STORAGE | 1 | | | | | | |
| 19 | 645323 | SCREW,M6X1,PAN WSHR HD,T30 TORX | 4 | | | | | | |
| 20 | 602409 | CLIP BARREL M6-1 | 4 | | | | | | |

2018 STAMPEDE 4 BLACK [U2018SUW1SUSP] - REAR SEAT ASSEMBLY [302475]



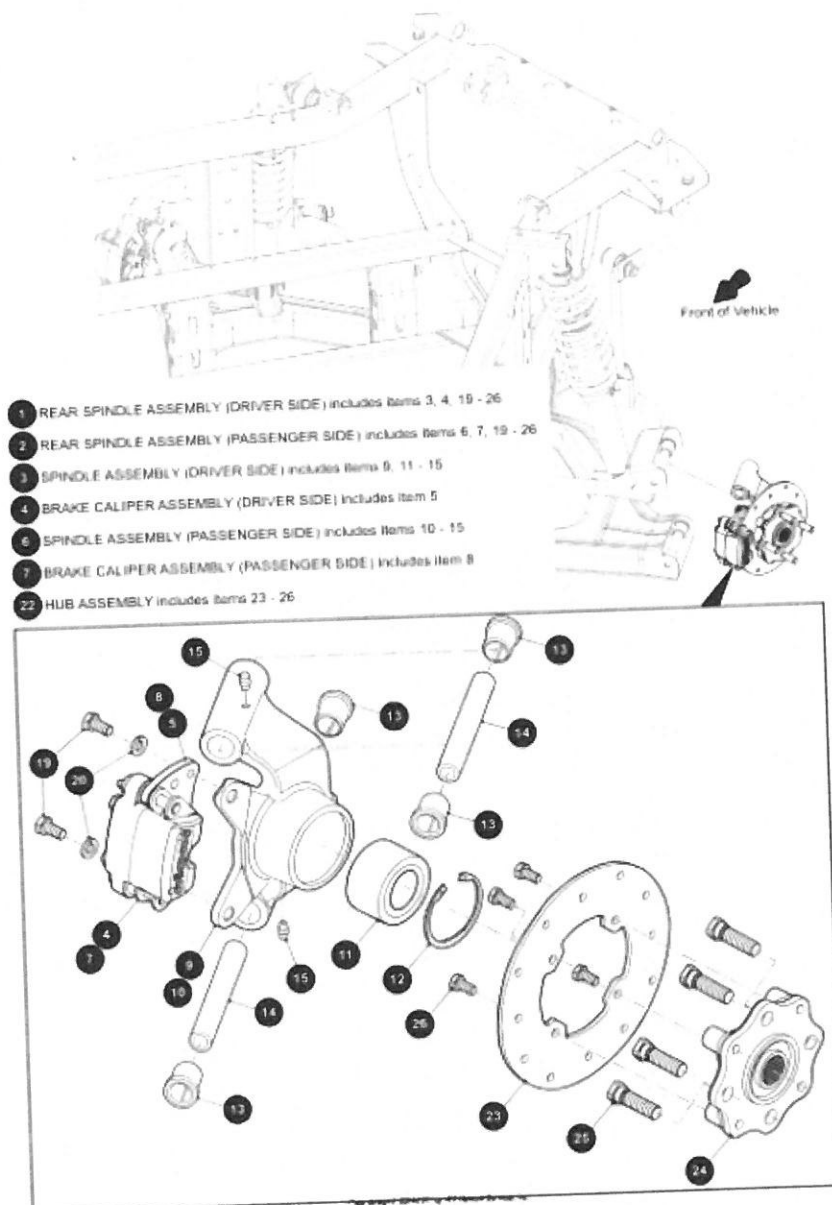
| Ref # | Part # | Description | Qty | Context | Note | ACE | Cost | ACE | MSRP |
|-------|------------|--|-----|---------|------|-----|------|-----|------|
| 1 | 645899G06 | SEAT BTM,BLACK-ASSY | 1 | | | | | | |
| 2 | 655916GXX | SEAT BOTTOM ASSEMBLY | 1 | | | | | | |
| 2 | 655916G20 | SEAT BTM,STITCHED,INFERNO RED-ASSY | | | | | | | |
| 2 | 655916G41 | SEAT BTM,STITCHED,ELECTRIC BLUE-ASSY | | | | | | | |
| 6 | 649952 | SEAT CLOSEOUT PANEL, CREW | 1 | | | | | | |
| 7 | 639904 | PIN,SEAT RETENTION | 2 | | | | | | |
| 8 | 646115 | PLATE,BACKING | 2 | | | | | | |
| 9 | 645323 | SCREW,M6X1,PAN WSHR HD,T30 TORX | 4 | | | | | | |
| 10 | 667790 | REMOVABLE RIVET, 8.13MM DIA X 21MM LG | 4 | | | | | | |
| 12 | 644918G103 | SUPPORT,SEATBACK, (PAINTED),LH-WLD | 1 | | | | | | |
| 13 | 644918G203 | SUPPORT,SEATBACK, (PAINTED),RH-WLD | 1 | | | | | | |
| 14 | 645900G06 | SEAT BACK,BLACK-ASSY | 1 | | | | | | |
| 15 | 655923GXX | SEAT BACK ASSEMBLY | 1 | | | | | | |
| 15 | 655923G20 | SEAT BACK,STITCHED,INFERNO RED-ASSY | | | | | | | |
| 15 | 655923G41 | SEAT BACK,STITCHED,ELECTRIC BLUE-ASSY | | | | | | | |
| 19 | 641663 | HEADREST,POWERSPORT | 1 | | | | | | |
| 20 | 16816G2 | RIVET,RATCHET,.25X.887 | 6 | | | | | | |
| 21 | 600530 | BOLT BHD TORX+ M10-1.5X25, SOKT 45IP | 2 | | | | | | |
| 22 | 603799 | BOLT,HXFL,M10-1.5X25 | 4 | | | | | | |
| 23 | 603818 | CLIP BARREL M10-1.5 | 4 | | | | | | |
| 24 | 654348 | PL,BARREL CLIP MTG,REAR | 1 | | | | | | |
| 25 | 646561 | BOLT,HXFL,M10-1.5X20 | 2 | | | | | | |

2018 STAMPEDE 4 BLACK [U2018SUW1SUSP] - REAR SEAT FRAME [302477]



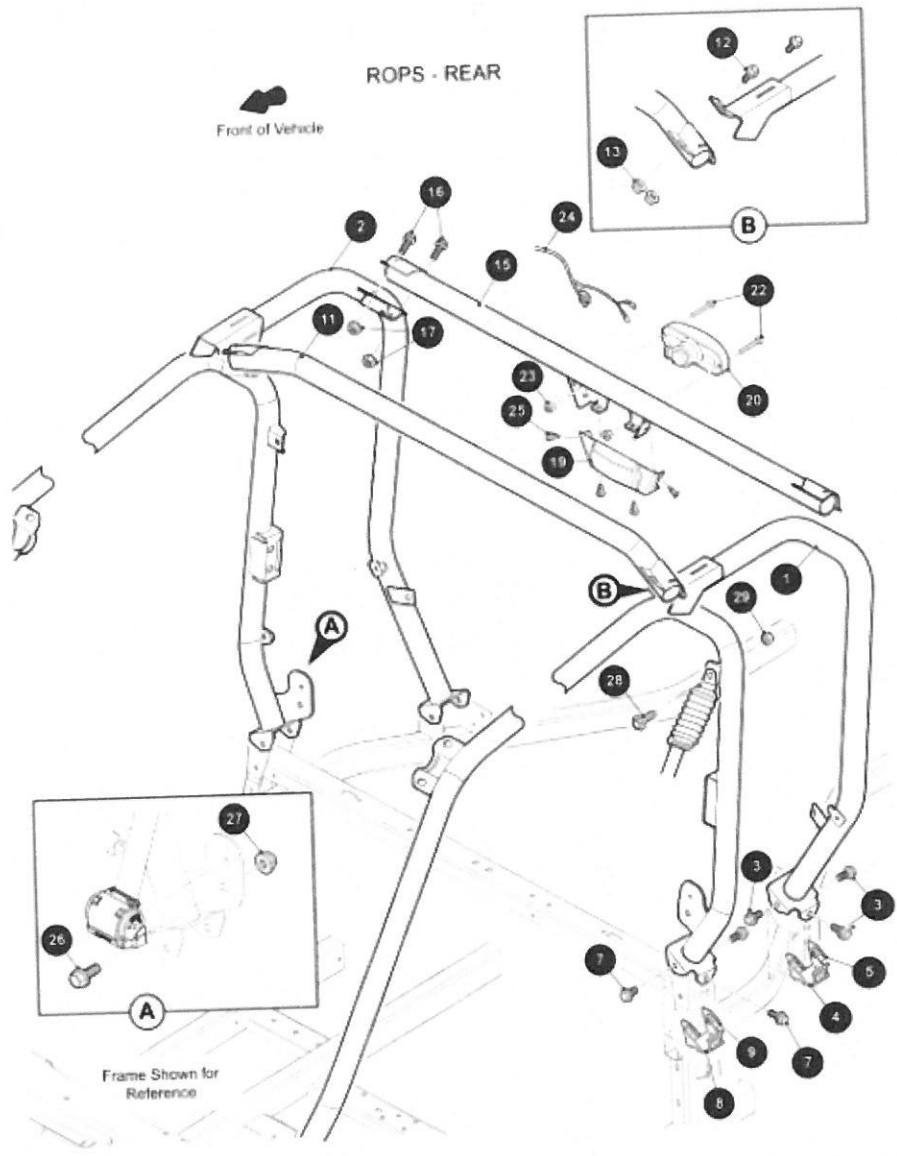
| Ref # | Part # | Description | Qty | Context | Note | ACE Cost | ACE MSRP |
|-------|-----------|---|-----|---------|------|----------|----------|
| 1 | 643943 | SEAT FRAME-WLD | 1 | | | | |
| 2 | 638668 | GROMMET,SEAT RETENTION | 2 | | | | |
| 4 | 638697 | BRACKET,SEAT RETENTION | 2 | | | | |
| 6 | 648412 | SEATBELT LATCH W/O CONNECTOR | 2 | | | | |
| 8 | 649013 | BOLT, HXFL, M12-1.75X30 | 2 | | | | |
| 9 | 648198 | NUT, PLS, LK, M12-1.75 | 2 | | | | |
| 10 | 640723 | SCREW,SELF TAPPING,M8X1.25X20 | 4 | | | | |
| 11 | 612859 | MACH SCREW,M5-0.8X12 | 4 | | | | |
| 12 | 610683 | NUT,LK-M5-0.8 | 4 | | | | |
| 16 | 646371 | BOLT,PHD,MAT PT,M8-1.25 X 20 | 3 | | | | |
| 17 | 645956 | NUT,HXFL,PLS,LK,M8X1.25 | 3 | | | | |
| 18 | 645357G01 | SUPPORT CROSSMEMBER,SEAT FRAME,LH | 1 | | | | |
| 19 | 645357G02 | SUPPORT CROSSMEMBER,SEAT FRAME,RH | 1 | | | | |
| 24 | 649870 | RETRACTOR, ANTI-CINCH, SEAT BELT,112 IN. | 1 | | | | |
| 25 | 600525 | NUT PLS LK M10-1.5 | 6 | | | | |
| 26 | 603799 | BOLT,HXFL,M10-1.5X25 | 6 | | | | |
| 27 | 649013 | BOLT, HXFL, M12-1.75X30 | 1 | | | | |
| 28 | 648198 | NUT, PLS, LK, M12-1.75 | 1 | | | | |

2018 STAMPEDE 4 BLACK [U2018SUW1SUSP] - REAR SPINDLE ASSEMBLY [302426]



| Ref # | Part # | Description | Qty | Context Note | ACE Cost | ACE MSRP |
|-------|------------|--------------------------------------|-----|---------------------------|----------|----------|
| 1 | 634031G01 | SPINDLE,REAR,LH-ASSY | 1 | (inc. 3-4 and 19 - 26) | | |
| 2 | 634031G02 | SPINDLE,REAR,RH-ASSY | 1 | (inc. 6-7 and 19 - 26) | | |
| 3 | 651605G01 | SPINDLE,REAR,LH-ASSY | 1 | (inc. 9 and 11 - 15) | | |
| 4 | 633918G01 | BRAKE CALIPER-ASSY-DRVR SD | 1 | (inc. 5) | | |
| 5 | 649167 | TRUCK/SHUTTLE BRAKE PAD | 1 | | | |
| 6 | 651605G02 | SPINDLE,REAR,RH-ASSY | 1 | (inc. 10 - 15) | | |
| 7 | 633918G02 | BRAKE CALIPER-ASSY-PASS SD | 1 | (inc. 8) | | |
| 8 | 649167 | TRUCK/SHUTTLE BRAKE PAD | 1 | | | |
| 9 | 650297G01 | SPINDLE,REAR,LH | 1 | | | |
| 10 | 650297G02 | SPINDLE,REAR,RH | 1 | | | |
| 11 | 650469 | BEARING,72MM OD,42MM ID | 1 | | | |
| 12 | 651145 | RETAINING RING,INTERNAL,72MM | 1 | | | |
| 13 | 647320 | BUSHING,FLANGED,15.875MM ID | 4 | | | |
| 14 | 647322G02 | TUBE,10.54MM,ID,X108.96 LONG | 2 | | | |
| 15 | 654868G01 | ZERK,STRAIGHT,1/4-28 THDFMG | 2 | | | |
| 19 | 00426G8 | SCREW-3/8-16X1-CAP-HEX-CP | 2 | | | |
| 20 | 00566G1 | WASHER-LOCK-SPRING TYPE,3/8 | 2 | | | |
| 22 | 650227G01 | HUB,4X137MM-ASSY | 1 | (inc. 23 - 26) | | |
| 23 | 650228 | ROTOR,CROSS DRILLED | 1 | | | |
| 24 | 650221G101 | HUB,MACH,INDPNDNT | 1 | | | |
| 25 | 19862G2 | BOLT, WHEEL | 4 | | | |
| 26 | 636096 | SCREW,HX HD, M8-1.25 X 20,CL 10.9 | 4 | | | |

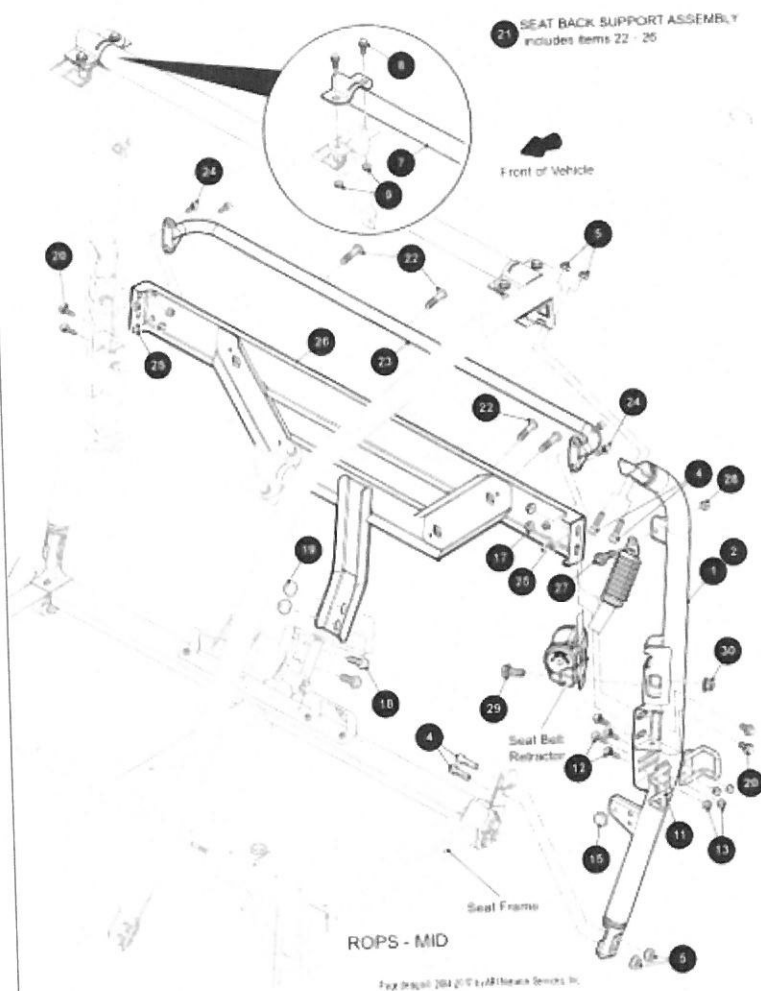
2018 STAMPEDE 4 BLACK [U2018SUW1SUSP] - ROPS - EXTENDED CAB WELDMENT [302468]



Page design © 2018 2017 by AR Network Services Inc.

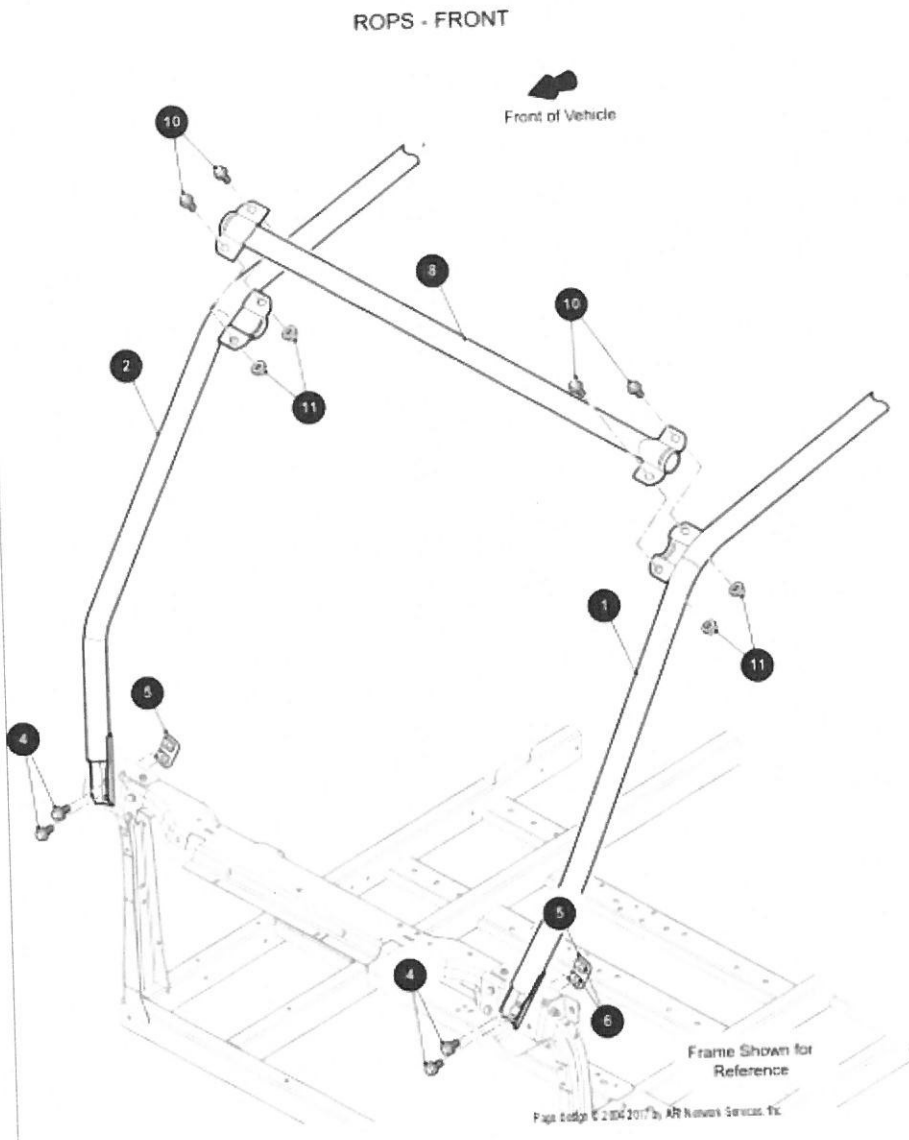
| Ref # | Part # | Description | Qty | Context | Note | ACE Cost | ACE MSRF |
|-------|-------------|---|-----|---------|------|----------|----------|
| 1 | 664661G13XX | EXTENDED CAB WELDMENT (DRIVER SIDE) | 1 | | | | |
| 2 | 664661G23XX | EXTENDED CAB WELDMENT (PASSENGER SIDE) | 1 | | | | |
| 3 | 603799 | BOLT,HXFL,M10-1.5X25 | 3 | | | | |
| 4 | 654109 | BRKT,BARREL CLIP MTG | 1 | | | | |
| 5 | 603818 | CLIP BARREL M10-1.5 | 3 | | | | |
| 7 | 603799 | BOLT,HXFL,M10-1.5X25 | 3 | | | | |
| 8 | 654109 | BRKT,BARREL CLIP MTG | 1 | | | | |
| 9 | 603818 | CLIP BARREL M10-1.5 | 3 | | | | |
| 11 | 664652G3XX | Needs Description | 1 | | | | |
| 12 | 603799 | BOLT,HXFL,M10-1.5X25 | 4 | | | | |
| 13 | 600525 | NUT PLS LK M10-1.5 | 4 | | | | |
| 15 | 664664G3XX | Needs Description | 1 | | | | |
| 16 | 603799 | BOLT,HXFL,M10-1.5X25 | 4 | | | | |
| 17 | 600525 | NUT PLS LK M10-1.5 | 4 | | | | |
| 19 | 649127 | CLOSEOUT,CHMSL | 1 | | | | |
| 20 | 646704 | CHMSL,HALOGEN | 1 | | | | |
| 22 | 647961 | SCREW,M5X0.8X30,CHEESE HEAD | 2 | | | | |
| 23 | 610683 | NUT,LK-M5-0.8 | 2 | | | | |
| 24 | 657288 | HARNESS,CHMSL,HALOGEN W/ ACC | 1 | | | | |
| 25 | 645637 | RIVET,REMOVABLE,,320,PLASTIC | 4 | | | | |
| 26 | 649013 | BOLT, HXFL, M12-1.75X30 | 2 | | | | |
| 27 | 648198 | NUT, PLS, LK, M12-1.75 | 2 | | | | |
| 28 | 609569 | BOLT, 7/16-20, SEAT BELT | 2 | | | | |
| 29 | 00734G3 | NUT-LOCK-7/16-20 | 2 | | | | |

2018 STAMPEDE 4 BLACK [U2018SUW1SUSP] - ROPS - SIDE VERTICAL BAR [302467]



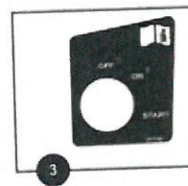
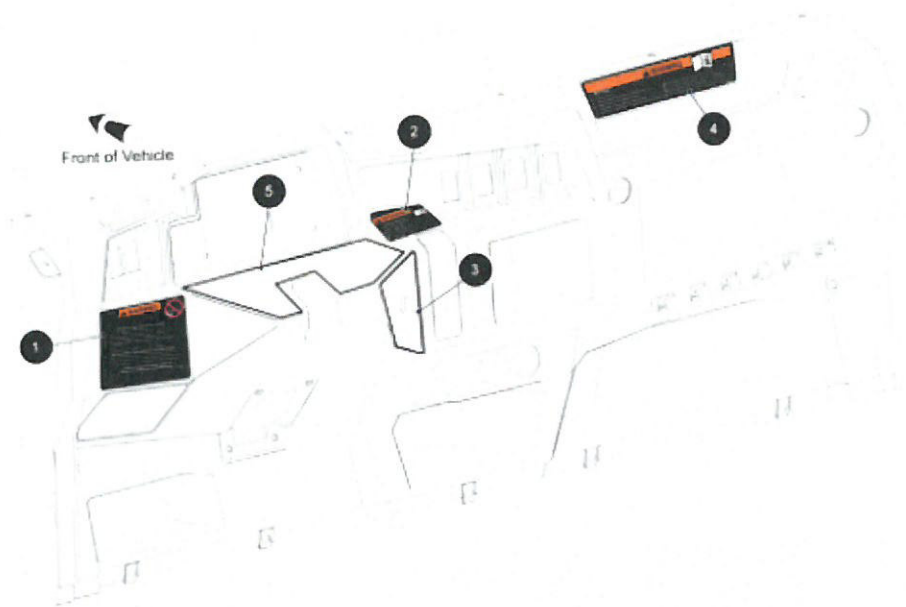
| Ref # | Part # | Description | Qty | Context Note | ACE Cost | ACE MSRP |
|-------|-------------|---|-----|--------------|----------|----------|
| 1 | 665090G23XX | SIDE VERTICAL BAR (PASSENGER SIDE) | 1 | | | |
| 2 | 665090G13XX | SIDE VERTICAL BAR (DRIVER SIDE) | 1 | | | |
| 4 | 608653 | SCREW-SOCKET HEAD, M10X1.5X35 | 4 | | | |
| 5 | 616675 | LOCK NUT M10-1.5,BLACK | 4 | | | |
| 7 | 664650G3XX | CROSS TUBE | 1 | | | |
| 8 | 603799 | BOLT,HXFL,M10-1.5X25 | 4 | | | |
| 9 | 600525 | NUT PLS LK M10-1.5 | 4 | | | |
| 11 | 654731 | STRIKER,ADJUSTABLE-WLD | 2 | | | |
| 12 | 651122 | BOLT,HEX FLANGED,M8-1.25,25MM | 4 | | | |
| 13 | 645956 | NUT,HXFL,PLS,LK,M8X1.25 | 4 | | | |
| 15 | 810149 | BUMPER, RUBBER | 1 | | | |
| 17 | 600525 | NUT PLS LK M10-1.5 | 4 | | | |
| 18 | 603799 | BOLT,HXFL,M10-1.5X25 | 2 | | | |
| 19 | 600525 | NUT PLS LK M10-1.5 | 2 | | | |
| 20 | 646561 | BOLT,HXFL,M10-1.5X20 | 4 | | | |
| 21 | 656947 | SUPPORT,SEATBACK, ASSY | 1 | (inc. 22-26) | | |
| 22 | 600530 | BOLT BHD TORX+ M10-1.5X25, SOKT 45IP | 4 | | | |
| 23 | 654964 | GRAB BAR,BOLT-IN-WLD | 1 | | | |
| 24 | 606261 | BOLT, HXFL,M8-1.25 X 20 | 4 | | | |
| 25 | 645956 | NUT,HXFL,PLS,LK,M8X1.25 | 4 | | | |
| 26 | 648608 | GRAB BAR AND SEAT BACK SUPPORT-WLD | 1 | | | |
| 27 | 609569 | BOLT, 7/16-20, SEAT BELT | 1 | | | |
| 28 | 00734G3 | NUT-LOCK-7/16-20 | 1 | | | |
| 29 | 649013 | BOLT, HXFL, M12-1.75X30 | 1 | | | |
| 30 | 648198 | NUT, PLS, LK, M12-1.75 | 1 | | | |

2018 STAMPEDE 4 BLACK [U2018SUW1SUSP] - ROPS - SIDE WELDMENT [302466]



| Ref # | Part # | Description | Qty | Context | Note | ACE | Cost | ACE | MSRP |
|-------|-------------|----------------------------|-----|---------|------|-----|------|-----|------|
| 1 | 665092G13XX | Needs Description | 1 | | | | | | |
| 2 | 665092G23XX | Needs Description | 1 | | | | | | |
| 4 | 649879 | BOLT, HXFL, M10-1.5X30 | 2 | | | | | | |
| 5 | 654391 | PL, BARREL CLIP MTG, FRONT | 1 | | | | | | |
| 6 | 603818 | CLIP BARREL M10-1.5 | 2 | | | | | | |
| 8 | 664650G3XX | CROSS TUBE | 1 | | | | | | |
| 10 | 603799 | BOLT, HXFL, M10-1.5X25 | 4 | | | | | | |
| 11 | 600525 | NUT PLS LK M10-1.5 | 4 | | | | | | |

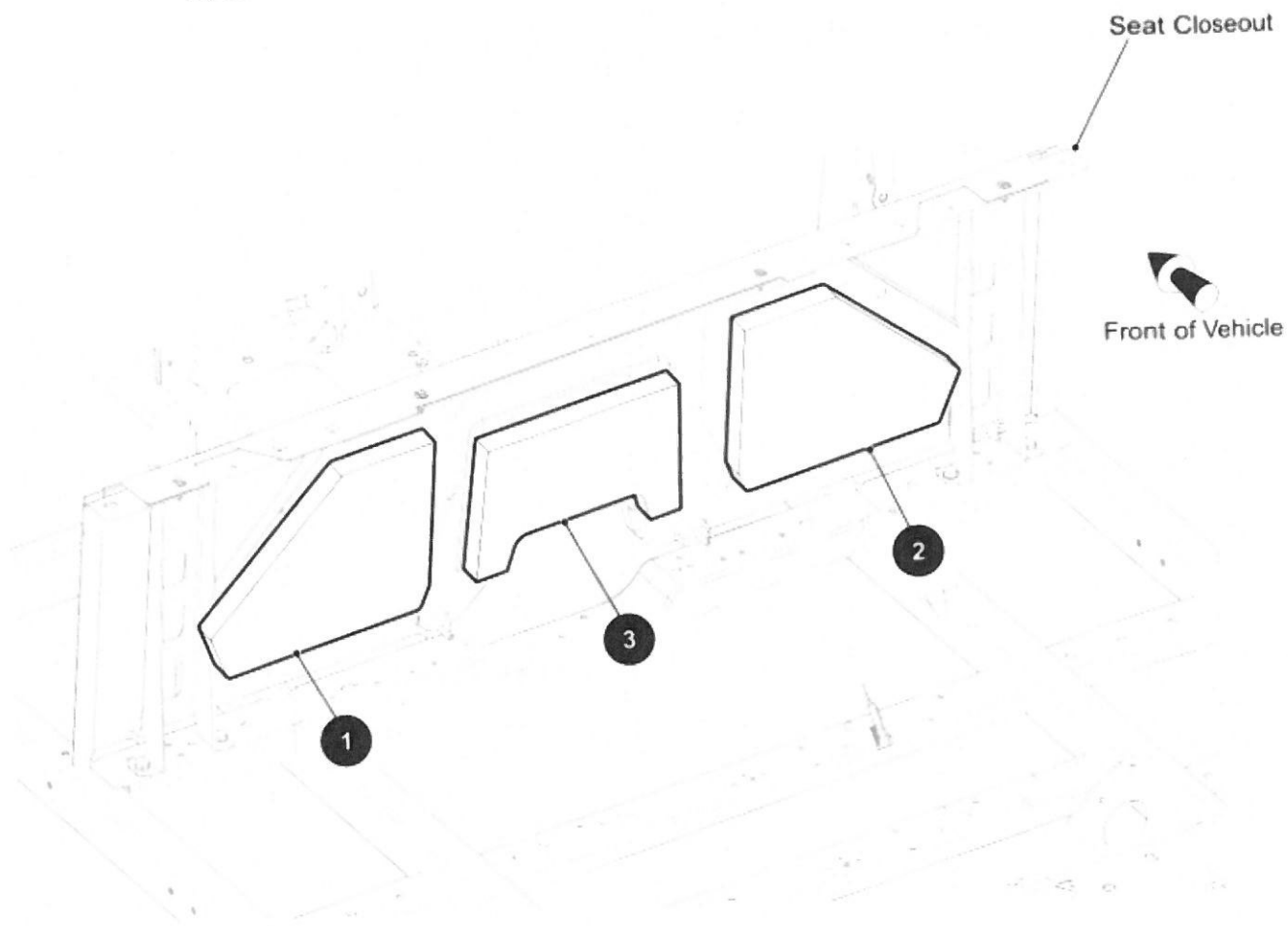
2018 STAMPEDE 4 BLACK [U2018SUW1SUSP] - SAFETY LABELS [302436]



Page 84 of 91 © 2014-2017 by ARV Network Services, Inc.

| Ref # | Part # | Description | Qty | Context | Note | ACE | Cost | ACE | M |
|-------|--------|---------------------------------------|-----|---------|------|-----|------|-----|---|
| 1 | 642600 | LABEL, WARNING, SAFETY | 1 | | | | | | |
| 2 | 643602 | LABEL, WARNING, SHIFTING/TRANSMISSION | 1 | | | | | | |
| 3 | 645327 | DECAL, KEYSWITCH POSITION | 1 | | | | | | |
| 4 | 645330 | WARNING, LABEL PASSENGER | 1 | | | | | | |
| 5 | 642599 | WARNING, LABEL, OPERATOR | 1 | | | | | | |

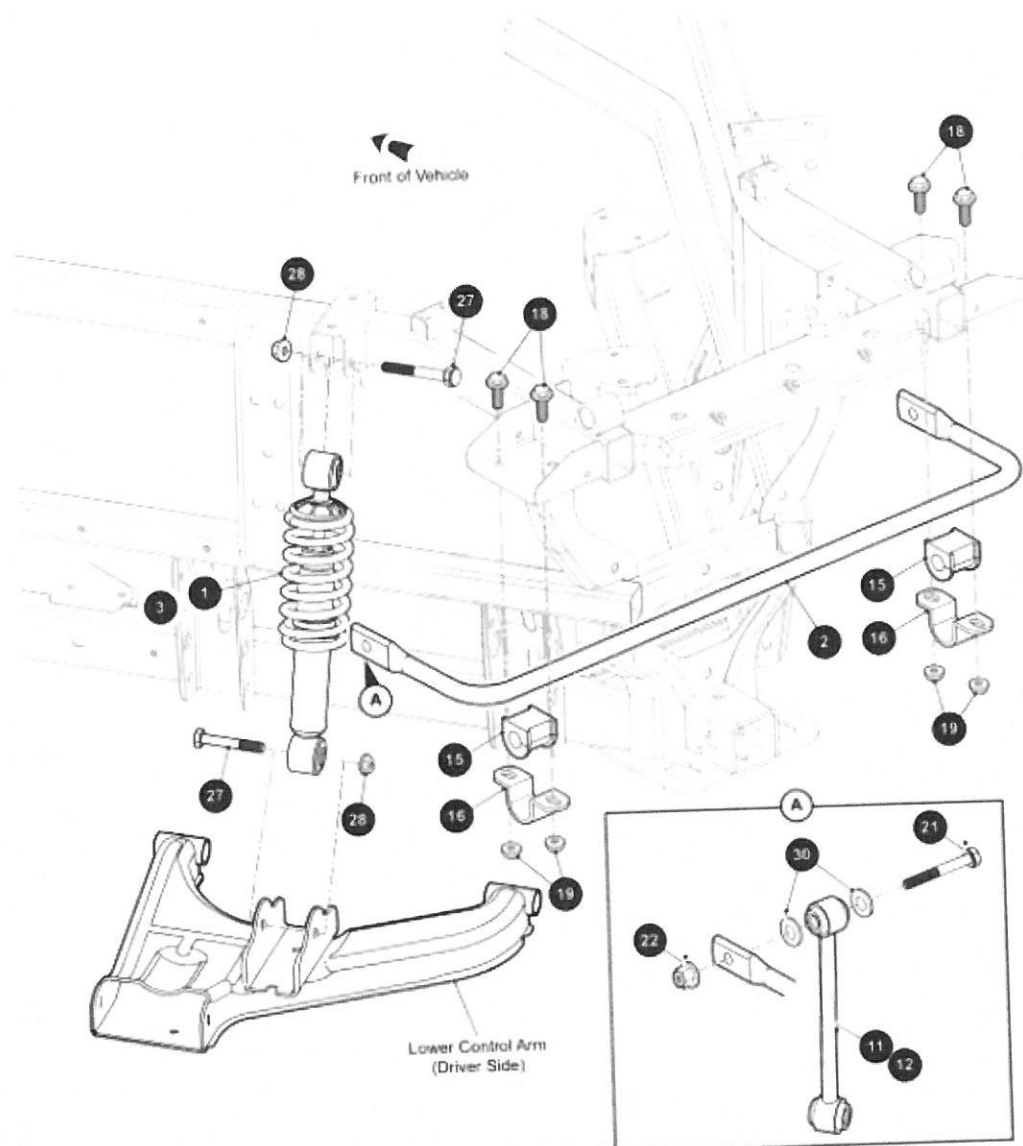
2018 STAMPEDE 4 BLACK [U2018SUW1SUSP] - SEAT FOAM [302393]



Page design © 2016-2017 by ARI Network Services, Inc.

| Ref # | Part # | Description | Qty | Context | Note | ACE Cost | ACE MSRP |
|-------|--------|---------------------------|-----|---------|------|----------|----------|
| 1 | 662620 | FOAM,SEAT CLOSEOUT,LH | 1 | | | | |
| 2 | 662621 | FOAM,SEAT CLOSEOUT,RH | 1 | | | | |
| 3 | 662619 | FOAM,SEAT CLOSEOUT,CENTER | 1 | | | | |

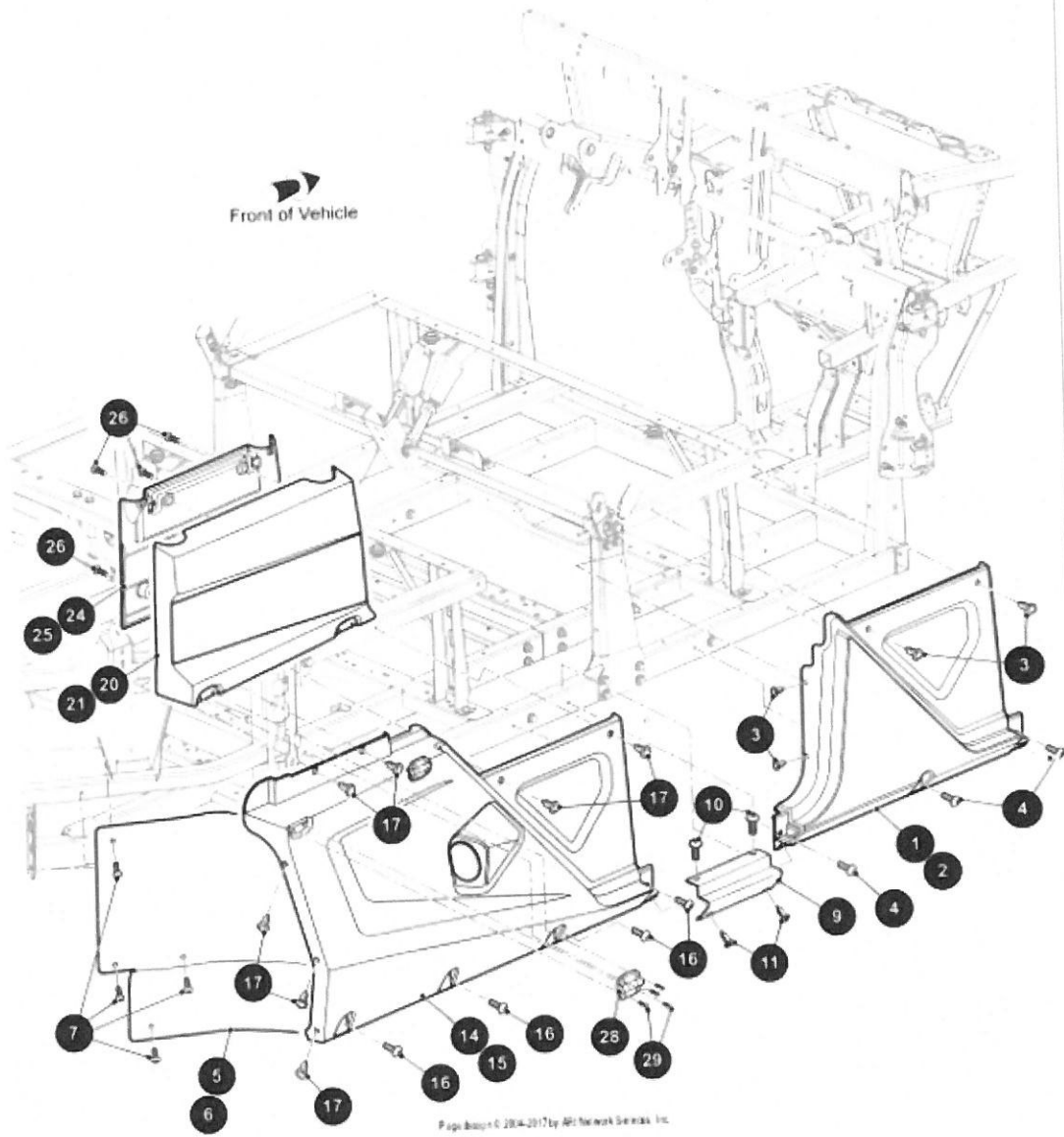
2018 STAMPEDE 4 BLACK [U2018SUW1SUSP] - SHOCK ABSORBERS [302472]



Page design © 2014-2017 by ARS Network S.p.A.

| Ref # | Part # | Description | Qty | Context | Note | ACE | Cost | ACE | MSRP |
|-------|-----------|--|-----|---------|------|-----|------|-----|------|
| 1 | 651912 | SHOCK,50.8MM BODY,REAR | 1 | | | | | | |
| 2 | 633724 | STABILIZER BAR,REAR | 1 | | | | | | |
| 3 | 667176 | Needs Description | 1 | | | | | | |
| 11 | 634396G01 | LINK,STAB-BAR LH REAR | 1 | | | | | | |
| 12 | 634396G02 | LINK,STAB-BAR RH REAR | 1 | | | | | | |
| 15 | 633953 | BUSHING,SWAY BAR | 2 | | | | | | |
| 16 | 657873 | BRACKET,SWAY BAR BUSHING | 2 | | | | | | |
| 18 | 603799 | BOLT,HXFL,M10-1.5X25 | 4 | | | | | | |
| 19 | 600525 | NUT PLS LK M10-1.5 | 4 | | | | | | |
| 21 | 01066G05 | HHCS,M12 X 1.75 X 70MM | 1 | | | | | | |
| 22 | 648198 | NUT, PLS, LK, M12-1.75 | 1 | | | | | | |
| 27 | 01066G08 | HEX HEAD BOLT, M12 - 1.75 X 60MM LG | 2 | | | | | | |
| 28 | 648198 | NUT, PLS, LK, M12-1.75 | 2 | | | | | | |
| 30 | 603182 | WASH,FLAT,M12,13.5X32X3 | 2 | | | | | | |

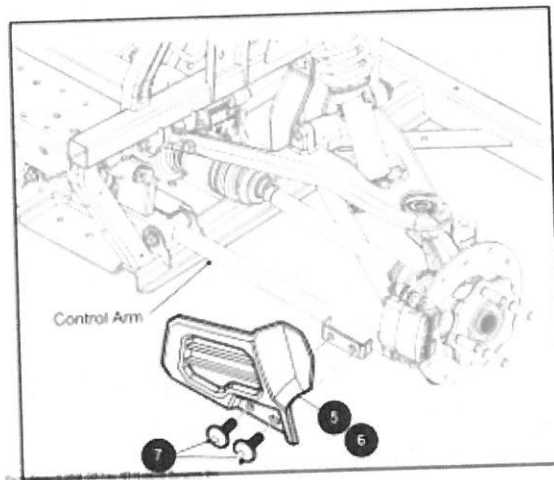
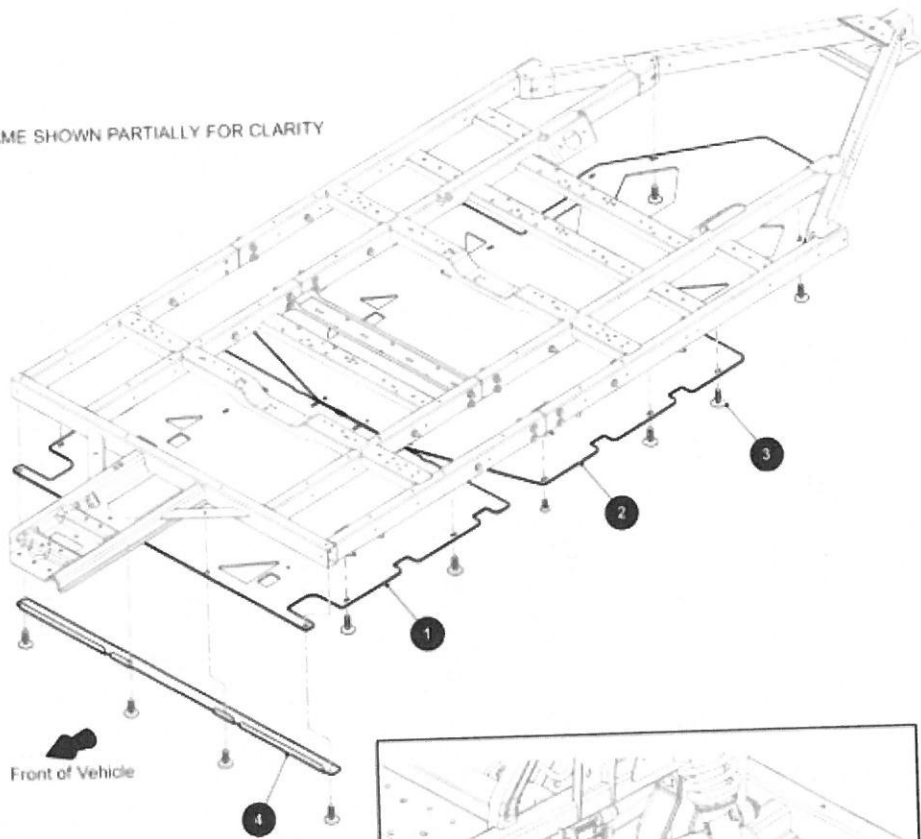
2018 STAMPEDE 4 BLACK [U2018SUW1SUSP] - SIDE PANEL [302445]



| Ref # | Part # | Description | Qty | Context | Note | ACE | Cost | ACE | MSRP |
|-------|-----------|--|-----|---------|------|-----|------|-----|------|
| 1 | 644843G01 | BODY PANEL, MIDDLE - LH | 1 | | | | | | |
| 2 | 644843G02 | BODY PANEL, MIDDLE, RH | 1 | | | | | | |
| 3 | 667790 | REMOVABLE RIVET, 8.13MM DIA X 21MM LG | 4 | | | | | | |
| 4 | 644969 | SCREW, M6X1X20, PAN WSHR HD, SLF TAP, T30 | 3 | | | | | | |
| 5 | 642510G01 | REAR WHEEL WELL, LH | 1 | | | | | | |
| 6 | 642510G02 | REAR WHEEL WELL, RH | 1 | | | | | | |
| 7 | 644969 | SCREW, M6X1X20, PAN WSHR HD, SLF TAP, T30 | 4 | | | | | | |
| 9 | 641395 | ROCKER, FLOOR | 1 | | | | | | |
| 10 | 644969 | SCREW, M6X1X20, PAN WSHR HD, SLF TAP, T30 | 2 | | | | | | |
| 11 | 667790 | REMOVABLE RIVET, 8.13MM DIA X 21MM LG | 2 | | | | | | |
| 14 | 641177G01 | PANEL, QUARTER, REAR LH | 1 | | | | | | |
| 15 | 641177G02 | PANEL, QUARTER, REAR RH | 1 | | | | | | |
| 16 | 644969 | SCREW, M6X1X20, PAN WSHR HD, SLF TAP, T30 | 4 | | | | | | |
| 17 | 667790 | REMOVABLE RIVET, 8.13MM DIA X 21MM LG | 7 | | | | | | |
| 20 | 641180G01 | DOOR, EXTENDED CAB, LH | 1 | | | | | | |
| 21 | 641180G02 | DOOR, EXTENDED CAB, RH | 1 | | | | | | |
| 24 | 645572G01 | INNER COVER, DOOR, EXTENDED CAB, LH | 1 | | | | | | |
| 25 | 645572G02 | INNER COVER, DOOR, EXTENDED CAB, RH | 1 | | | | | | |
| 26 | 646047 | SCREW, M6X2.14X20, PLASTITE, T30 | 4 | | | | | | |
| 28 | 644476 | HINGE-NYLON | 2 | | | | | | |
| 29 | 646140 | SCREW, THREAD FORM, M4X1.79X16, T20 | 4 | | | | | | |

2018 STAMPEDE 4 BLACK [U2018SUW1SUSP] - SKID GUARD [302443]

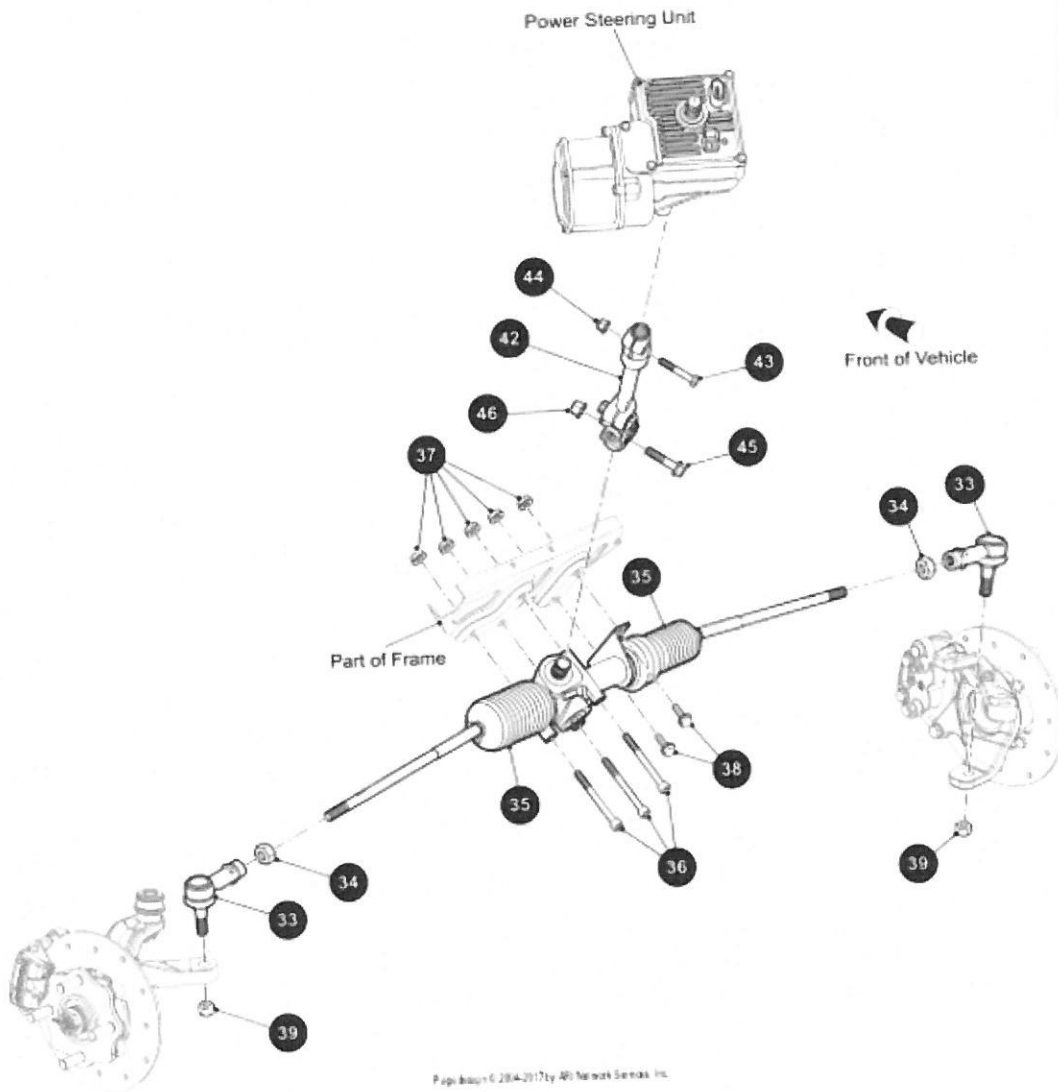
FRAME SHOWN PARTIALLY FOR CLARITY



| Ref # | Part # | Description | Qty | Context | Note | ACE Cost | ACE MSRP |
|-------|-----------|--|-----|---------|------|----------|----------|
| 1 | 660808 | Needs Description | 1 | | | | |
| 2 | 665971 | Needs Description | 1 | | | | |
| 3 | 644969 | SCREW,M6X1X20,PAN WSHR HD,SLF TAP,T30 | 32 | | | | |
| 4 | 657367 | SKID GUARD BRKT | 1 | | | | |
| 5 | 642512G01 | CV GUARD, LH | 1 | | | | |
| 6 | 642512G02 | CV GUARD, RH | 1 | | | | |
| 7 | 644969 | SCREW,M6X1X20,PAN WSHR HD,SLF TAP,T30 | 2 | | | | |

2018 STAMPEDE 4 BLACK [U2018SUW1SUSP] - STEERING RACK ASSEMBLY [302423]

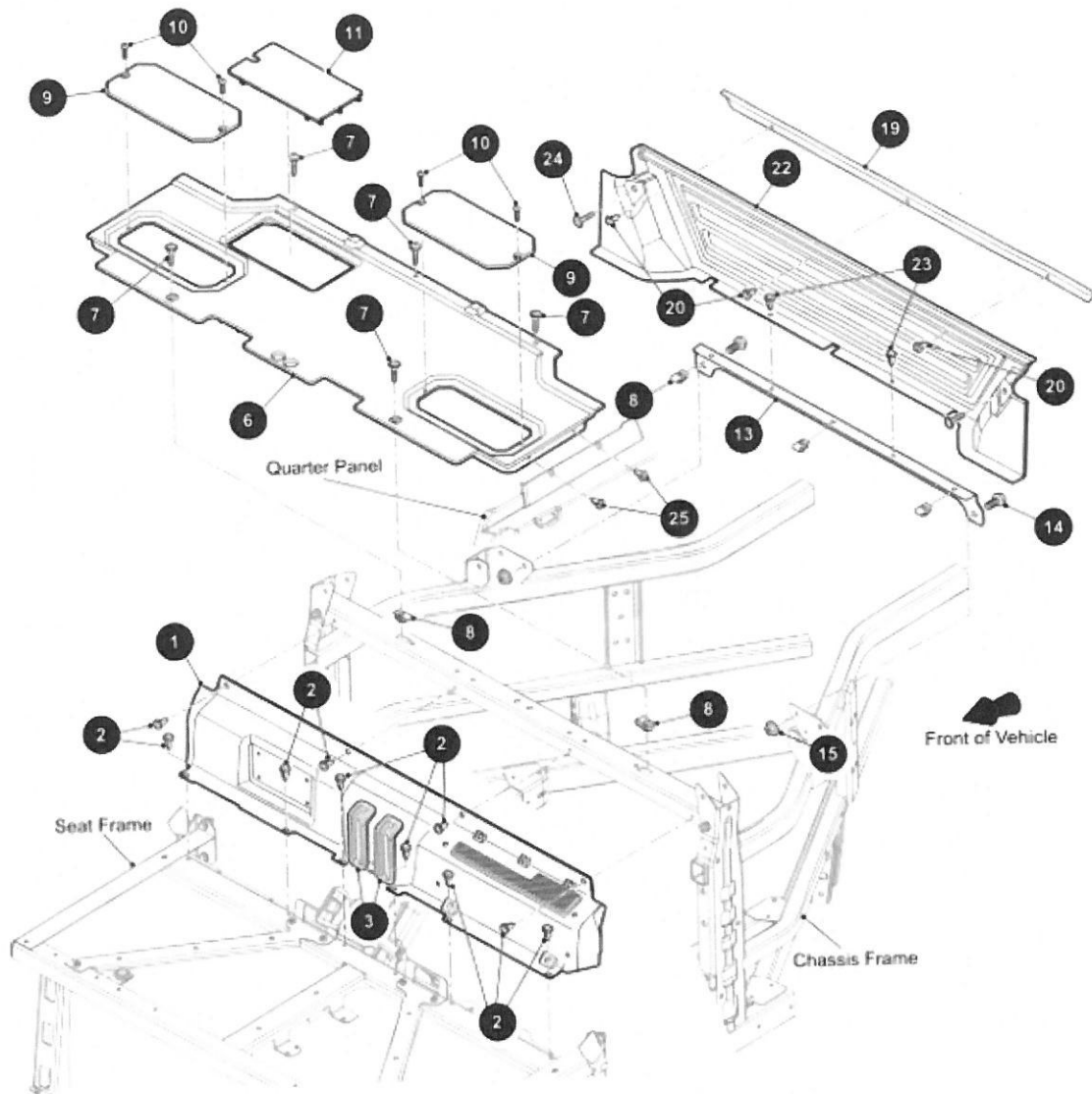
32 STEERING RACK ASSEMBLY includes items 33 - 35



Page 6049 © 2014-2017 by ARCTIC CAT, Inc.

| Ref # | Part # | Description | Qty | Context | Note | ACE | Cost | ACE | MSRP |
|-------|--------|------------------------------------|-----|---------|------|-----|------|-----|------|
| 32 | 633214 | RACK,STEERING,MAVAL | 1 | | | | | | |
| 33 | 655220 | SVC-TIE ROD END | 2 | | | | | | |
| 34 | 655221 | SVC-NUT,JAM | 2 | | | | | | |
| 35 | 655222 | SVC-KIT,BELLOWS & CLAMPS | 1 | | | | | | |
| 36 | 605254 | SOCKET HEAD CAP SCR 8mm-1.25 X 90 | 3 | | | | | | |
| 37 | 645956 | NUT,HXFL,PLS,LK,M8X1.25 | 5 | | | | | | |
| 38 | 606261 | BOLT, HXFL,M8-1.25 X 20 | 2 | | | | | | |
| 39 | 647672 | NUT,PLS,LK, M12-1.5 | 2 | | | | | | |
| 42 | 644979 | LOWER,INT,SHAFT | 1 | | | | | | |
| 43 | 649756 | HHCS,M8 X 1.25 X 50MM,PC 10.9 | 1 | | | | | | |
| 44 | 645956 | NUT,HXFL,PLS,LK,M8X1.25 | 1 | | | | | | |
| 45 | 650475 | FLG HEAD CAP SCREW,M10X1.5X45MM | 1 | | | | | | |
| 46 | 648753 | NUT,FLHD,PLSLK,M10 X 1.5,PC8 | 1 | | | | | | |

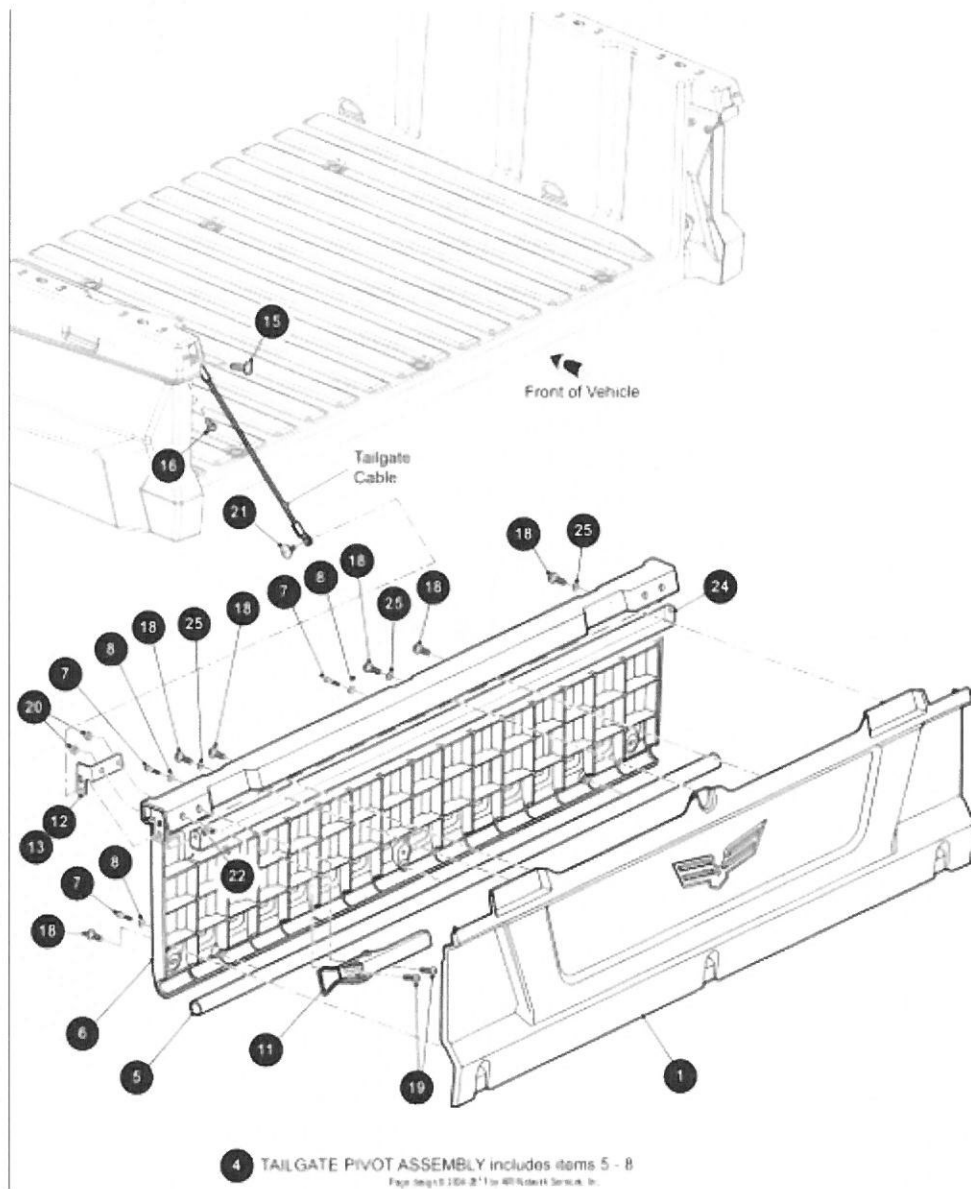
2018 STAMPEDE 4 BLACK [U2018SUW1SUSP] - STORAGE [302383]



Page design © 2004-2017 by ARI Network Services, Inc.

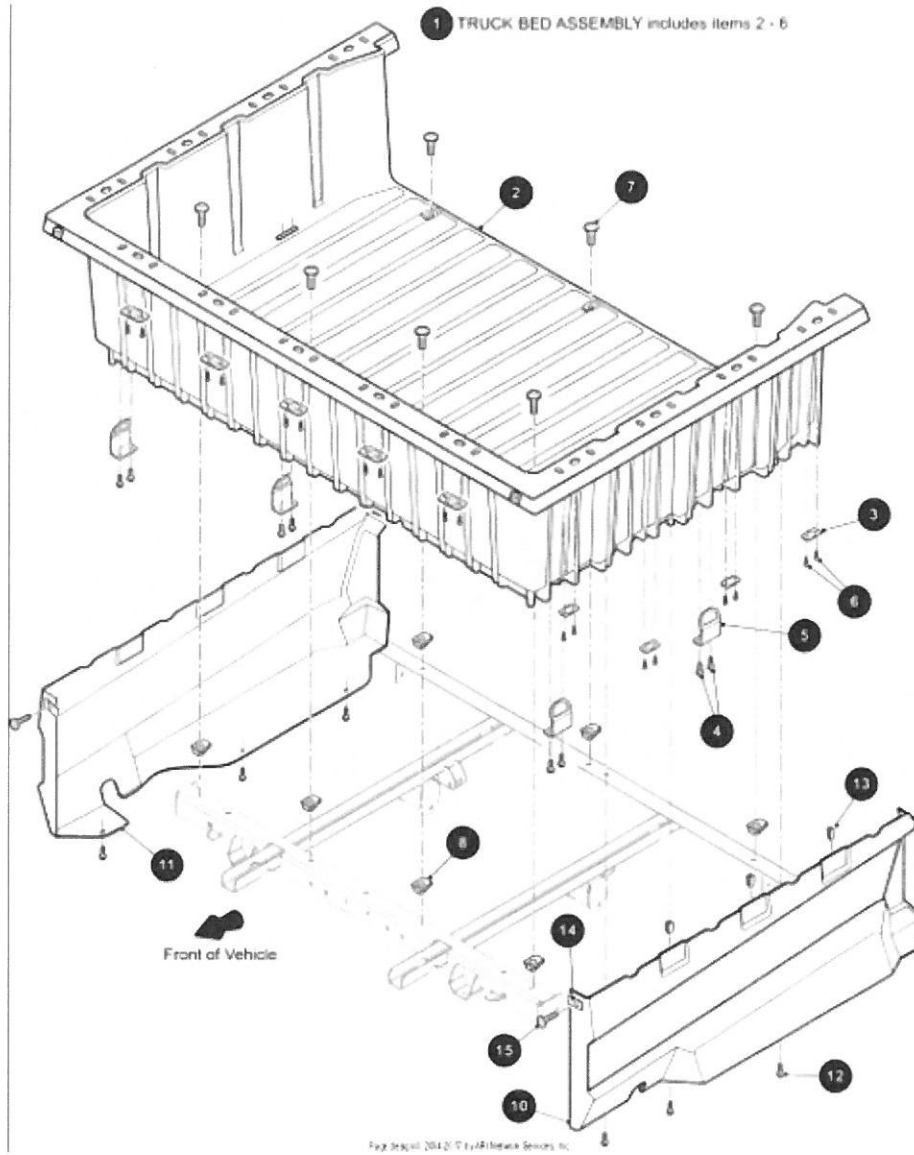
| Ref # | Part # | Description | Qty | Context | Note | ACE | Cost | ACE | MSRP |
|-------|--------|--|-----|---------|------|-----|------|-----|------|
| 1 | 643524 | ENGINE BAY CLOSEOUT | 1 | | | | | | |
| 2 | 667790 | REMOVABLE RIVET, 8.13MM DIA X 21MM LG | 10 | | | | | | |
| 3 | 643207 | SHIFTER BOOT | 2 | | | | | | |
| 6 | 641321 | CARGO TRAY | 1 | | | | | | |
| 7 | 645323 | SCREW,M6X1,PAN WSHR HD,T30 TORX | 5 | | | | | | |
| 8 | 602409 | CLIP BARREL M6-1 | 5 | | | | | | |
| 9 | 645312 | COVER,STORAGE POCKET | 2 | | | | | | |
| 10 | 649803 | SCRW, M6X2.65X25, REMFORM, PAN HD, TORX | 4 | | | | | | |
| 11 | 660586 | DOOR,CARGO,TRAY | 1 | | | | | | |
| 13 | 643190 | CROSSMEMBER, C-PILLAR | 1 | | | | | | |
| 14 | 603799 | BOLT,HXFL,M10-1.5X25 | 2 | | | | | | |
| 15 | 600525 | NUT PLS LK M10-1.5 | 2 | | | | | | |
| 19 | 653516 | SUPPORT,EXT CAB | 1 | | | | | | |
| 20 | 667790 | REMOVABLE RIVET, 8.13MM DIA X 21MM LG | 3 | | | | | | |
| 22 | 641789 | EXT CAB CLOSEOUT | 1 | | | | | | |
| 23 | 667790 | REMOVABLE RIVET, 8.13MM DIA X 21MM LG | 2 | | | | | | |
| 24 | 645323 | SCREW,M6X1,PAN WSHR HD,T30 TORX | 2 | | | | | | |
| 25 | 667790 | REMOVABLE RIVET, 8.13MM DIA X 21MM LG | 2 | | | | | | |

2018 STAMPEDE 4 BLACK [U2018SUW1SUSP] - TAILGATE [302432]



| Ref # | Part # | Description | Qty | Context | Note | ACE Cost | ACE MSRP |
|-------|-----------|--|-----|--------------|------|----------|----------|
| 1 | 641184G03 | TAILGATE, PANEL, WINGS LOGO | 1 | | | | |
| 4 | 650968 | TAILGATE PIVOT-ASSY | 1 | (inc. 5 - 8) | | | |
| 5 | - | Pivot Tube | 1 | | | | |
| 6 | 641856 | TAILGATE, INSIDE WALL-POA | 1 | | | | |
| 7 | 635530 | SCREW,10-32X11/16 TAPTITE | 3 | | | | |
| 8 | 00559G5 | WASHER, FLAT TYPE A | 3 | | | | |
| 11 | 663143 | LATCH TAILGATE-ASSY | 2 | | | | |
| 12 | 644871G01 | BRACKET, LATCH MOUNT LH | 1 | | | | |
| 13 | 644871G02 | BRACKET,LATCH MOUNT,RH | 1 | | | | |
| 15 | 645323 | SCREW,M6X1,PAN WSHR HD,T30 TORX | 2 | | | | |
| 16 | 667790 | REMOVABLE RIVET, 8.13MM DIA X 21MM LG | 2 | | | | |
| 18 | 646047 | SCREW, M6X2.14X20, PLASTITE,T30 | 6 | | | | |
| 19 | 601326 | BOLT BHD TORX+ M6-1X20 | 4 | | | | |
| 20 | 601476 | LOCK NUT M6-1 | 4 | | | | |
| 21 | 653691 | BOLT,SHOULDER,1/4-20x1 | 2 | | | | |
| 22 | 00550G1 | NUT-HEX-INTERNAL LOCK (ESLOC) | 2 | | | | |
| 24 | 653026 | SUPPORT,TAILGATE | 1 | | | | |
| 25 | 608747 | WASHER, FLAT M6 X 1.5 | 3 | | | | |

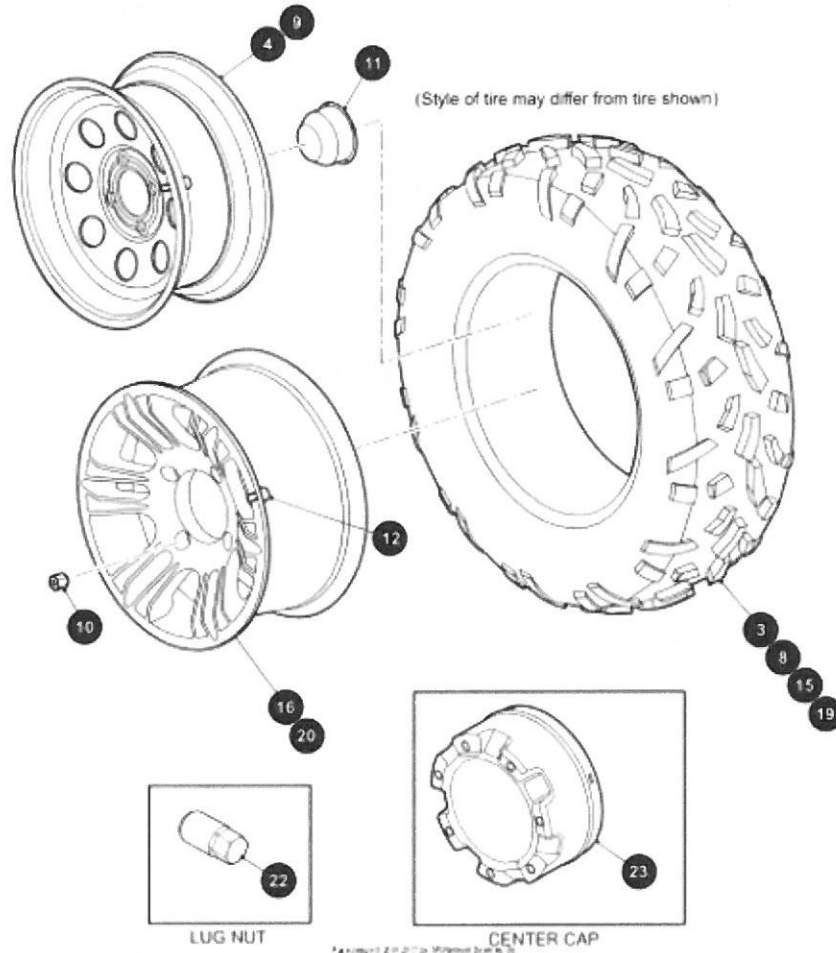
2018 STAMPEDE 4 BLACK [U2018SUW1SUSP] - TRUCK BED ASSEMBLY [302478]



| Ref # | Part # | Description | Qty | Context Note | ACE Cost | ACE MSRP |
|-------|-----------|--|-----|--------------|----------|----------|
| 1 | 651966 | BED-ASSY | 1 | (inc. 2-6) | | |
| 2 | 641181 | BED, MAIN-POA | 1 | | | |
| 3 | 644202 | SVC-PLATE,QRTR TURN,ACCY RECEPTACLE | 13 | | | |
| 4 | 646047 | SCREW, M6X2.14X20, PLASTITE,T30 | 8 | | | |
| 5 | 645017 | SVC-BRACKET,TIE-DOWN | 4 | | | |
| 6 | 646140 | SCREW,THREAD FORM,M4X1.79X16,T20 | 26 | | | |
| 7 | 646528 | BOLT, M10X1.5X30 WASHER HD, TORX | 7 | | | |
| 8 | 603818 | CLIP BARREL M10-1.5 | 7 | | | |
| 10 | 641183G01 | SIDE PANEL,BED,DS | 1 | | | |
| 11 | 641183G02 | SIDE PANEL,BED,PS | 1 | | | |
| 12 | 646047 | SCREW, M6X2.14X20, PLASTITE,T30 | 3 | | | |
| 13 | 646759 | S-CLIP | 3 | | | |
| 14 | 602409 | CLIP BARREL M6-1 | 1 | | | |
| 15 | 645323 | SCREW,M6X1,PAN WSHR HD,T30 TORX | 1 | | | |

2018 STAMPEDE 4 BLACK [U2018SUW1SUSP] - WHEELS AND TIRES [302435]

- 1 WHEEL AND TIRE ASSEMBLY, FRONT (DRIVER SIDE) includes items 3, 4
- 2 WHEEL AND TIRE ASSEMBLY, FRONT (PASSENGER SIDE) includes items 3, 4
- 6 WHEEL AND TIRE ASSEMBLY, REAR (DRIVER SIDE) includes items 8, 9
- 7 WHEEL AND TIRE ASSEMBLY, REAR (PASSENGER SIDE) includes items 8, 9
- 14 WHEEL AND TIRE ASSEMBLY (FRONT) includes items 15, 16
- 18 WHEEL AND TIRE ASSEMBLY (REAR) includes items 19, 20



| Ref # | Part # | Description | Qty | Context Note | ACE Cost | ACE MSRP |
|-------|-----------|---|-----|--------------|----------|----------|
| 1 | 645015G01 | WHEEL & TIRE ASSY, STEEL, FRONT, LH | 1 | (inc. 3-4) | | |
| 2 | 645015G02 | WHEEL & TIRE ASSY, STEEL, FRONT, RH | 1 | (inc. 3-4) | | |
| 3 | 645011 | TIRE,KENDA,26X9X14 | 1 | | | |
| 4 | 653744G01 | WHEEL,STEEL,14X6.5,4 ON 137MM | 1 | | | |
| 6 | 645016G01 | WHEEL & TIRE ASSY, STEEL, REAR, LH | 1 | (inc. 8-9) | | |
| 7 | 645016G02 | WHEEL & TIRE ASSY, STEEL, REAR, RH | 1 | (inc. 8-9) | | |
| 8 | 645012 | TIRE,KENDA,26X11X14 | 1 | | | |
| 9 | 653744G02 | WHEEL,STEEL,14X8.0,4 ON 137MM | 1 | | | |
| 10 | 14723G1 | NUT-LUG-CP-1/2 X 20 | 4 | | | |
| 11 | 653751 | CAP,WHEEL CENTER | 1 | | | |
| 12 | 643948 | SVC-VALVE STEM | 1 | | | |
| 14 | 646604 | WHEEL & TIRE,ALUM,FRONT- ASSY | 1 | (inc. 15-16) | | |
| 15 | 633541 | SVC-TIRE,27X9-14,MAXXIS BIGHORN | 1 | | | |
| 16 | 653461G01 | WHEEL,ALUMINUM,FRONT | 1 | | | |
| 18 | 661632 | WHEEL & TIRE,ALUM,REAR-ASSY | 1 | (inc. 19-20) | | |
| 19 | 633542 | SVC-TIRE,26X11-14,MAXXIS BIGHORN | 1 | | | |
| 20 | 653461G03 | SVC-WHEEL,ALUMINUM,14X8.0,4 ON 137MM | 1 | | | |
| 22 | 658026 | LUG NUT,BLACK | 4 | | | |
| 23 | 654993 | PUCAP,CTR,FRONT MOUNT,4 ON 137MM | 1 | | | |